



Operating Instructions

VLT[®] Refrigeration Drive FC 103 Low Harmonic Drive



Contents

1 Introduction	5
1.1 Purpose of the Manual	5
1.2 Additional Resources	5
1.3 Product Overview	5
1.3.1 Intended Use	5
1.3.2 Working Principle	6
1.3.3 Exploded View Drawings	7
1.4 Enclosure Sizes and Power Ratings	15
1.5 Approvals and Certifications	15
1.5.1 Approvals	15
1.5.2 Compliance with ADN	15
1.6 Harmonics Overview	15
1.6.1 Harmonics	15
1.6.2 Harmonic Analysis	15
1.6.3 Effect of Harmonics in a Power Distribution System	16
1.6.4 IEC Harmonic Standards	17
1.6.5 IEEE Harmonic Standards	18
2 Safety	20
2.1 Safety Symbols	20
2.2 Qualified Personnel	20
2.3 Safety Precautions	20
3 Mechanical Installation	21
3.1 Equipment Pre-Installation Checklist	21
3.2 Unpacking	22
3.2.1 Items Supplied	22
3.3 Mounting	23
3.3.1 Cooling and Airflow	23
3.3.2 Lifting	24
3.3.3 Cable Entry and Anchoring	26
3.3.4 Terminal Locations for Enclosure Size D1n/D2n	30
3.3.5 Terminal Locations for Enclosure Size E9	32
3.3.6 Terminal Locations for Enclosure Size F18	33
3.3.7 Torque	35
4 Electrical Installation	36
4.1 Safety Instructions	36
4.2 EMC Compliant Installation	36
4.3 Power Connections	36

4.4 Grounding	37
4.5 Input Options	38
4.5.1 Extra Protection (RCD)	38
4.5.2 RFI Switch	38
4.5.3 Screened Cables	38
4.6 Motor Connection	38
4.6.1 Motor Cable	38
4.6.2 Brake Cable	39
4.6.3 Motor Insulation	39
4.6.4 Motor Bearing Currents	39
4.7 AC Mains Connection	40
4.7.1 Mains Connection	40
4.7.2 External Fan Supply	40
4.7.3 Power and Control Wiring for Unscreened Cables	40
4.7.4 Mains Disconnects	42
4.7.5 F-Frame Circuit Breakers	42
4.7.6 F-Frame Mains Contactors	42
4.8 Control Wiring	43
4.8.1 Control Cable Routing	43
4.8.2 Access to Control Terminals	45
4.8.3 Electrical Installation, Control Terminals	45
4.8.4 Electrical Installation, Control Cables	46
4.8.5 Safe Torque Off (STO)	48
4.9 Additional Connections	48
4.9.1 Serial Communication	48
4.9.2 Mechanical Brake Control	48
4.9.3 Parallel Connection of Motors	48
4.9.4 Motor Thermal Protection	49
4.9.5 Voltage/Current Input Selection (Switches)	49
4.10 Final Set-up and Test	50
4.11 F-frame Options	51
5 Commissioning	53
5.1 Safety Instructions	53
5.2 Applying Power	55
5.3 Local Control Panel Operation	55
5.3.1 Local Control Panel	55
5.3.2 LCP Layout	55
5.3.3 Parameter Settings	56
5.3.4 Uploading/Downloading Data to/from the LCP	57
5.3.5 Changing Parameter Settings	57

5.3.6 Restoring Default Settings	57
5.4 Basic Programming	58
5.4.1 VLT® Low Harmonic Drive Programming	58
5.4.2 Commissioning with SmartStart	58
5.4.3 Commissioning via [Main Menu]	58
5.4.5 Permanent Magnet Motor Set-up	59
5.4.6 Automatic Energy Optimisation (AEO)	60
5.4.7 Automatic Motor Adaptation (AMA)	61
5.5 Checking Motor Rotation	61
5.6 Local-control Test	61
5.7 System Start-up	61
6 Application Examples	62
6.1 Introduction	62
6.2 Application Examples	62
7 Diagnostics and Troubleshooting	66
7.1 Status Messages	66
7.2 Warning and Alarm Types	66
7.2.1 Warnings	66
7.2.2 Alarm Trip	66
7.2.3 Alarm Trip-lock	66
7.3 Warning and Alarm Definitions for Frequency Converter	66
7.4 Warnings and Alarm Definitions - Active Filter	75
7.5 Troubleshooting	80
8 Specifications	83
8.1 Power-Dependent Specifications	83
8.1.1 Mains Supply 3x380–480 V AC	83
8.1.2 Derating for Temperature	86
8.2 Mechanical Dimensions	87
8.3 General Technical Data	90
8.4 Fuses	95
8.4.1 Non-UL compliance	96
8.4.2 Fuse Tables	96
8.4.3 Supplementary Fuses	96
8.5 General Torque Tightening Values	98
9 Appendix A - Parameters	99
9.1 Description of Parameters	99
9.2 Frequency Converter Parameter Lists	99
9.3 Active Filter Parameter Lists	104

10 Appendix B	111
10.1 Abbreviations and Conventions	111
Index	112

1 Introduction

1.1 Purpose of the Manual

The purpose of this manual is to provide information for the installation and operation of a VLT® Refrigeration Drive FC 103 Low Harmonic. The manual includes relevant safety information for installation and operation.

chapter 1 Introduction, chapter 2 Safety, chapter 3 Mechanical Installation, and chapter 4 Electrical Installation introduce the unit functions and cover proper mechanical and electrical installation procedures. There are chapters on start-up and commissioning, applications and basic troubleshooting. *Chapter 8 Specifications* provides a quick reference for ratings and dimensions, as well as other operating specifications. This manual provides a basic knowledge of the unit and explains set-up and basic operation.

VLT® is a registered trademark.

1.2 Additional Resources

Other resources are available to understand advanced functions and programming.

- The *VLT® Refrigeration Drive FC 103 Programming Guide* provides greater detail on working with parameters and many application examples.
- The *VLT® Refrigeration Drive FC 103 Design Guide* provides detailed capabilities and functionality to design motor control systems.
- Supplemental publications and manuals are available from Danfoss. See vlt-drives.danfoss.com/Support/Technical-Documentation/ for listings.
- Optional equipment may change some of the procedures described. Reference the instructions supplied with those options for specific requirements. Contact the local Danfoss supplier or visit the Danfoss website: vlt-drives.danfoss.com/Support/Technical-Documentation/ for downloads or additional information.
- The *VLT® Active Filter AAF 006 Operating Instructions* provide additional information about the filter portion of the low harmonic drive.

1.3 Product Overview

1.3.1 Intended Use

A frequency converter is an electronic motor controller that converts AC mains input into a variable AC waveform output. The frequency and voltage of the output are regulated to control the motor speed or torque. The frequency converter can vary the speed of the motor in response to system feedback, such as with position sensors on a conveyor belt. The frequency converter can also regulate the motor by responding to remote commands from external controllers.

The frequency converter:

- Monitors the system and motor status.
- Issues warnings or alarms for fault conditions.
- Starts and stops the motor.
- Optimises energy efficiency.

Operation and monitoring functions are available as status indications to an outside control system or serial communication network.

A low harmonic drive (LHD) is a single unit that combines the frequency converter with an advanced active filter (AAF) for harmonic mitigation. The frequency converter and filter are packaged together in an integrated system, but each functions independently. In this manual, there are separate specifications for the frequency converter and the filter. Since the frequency converter and filter are in the same enclosure, the unit is transported, installed, and operated as a single entity.

1

1.3.2 Working Principle

The low harmonic drive is a high-power frequency converter with an integrated active filter. An active filter is a device that actively monitors harmonic distortion levels and injects compensative harmonic current onto the line to cancel the harmonics.

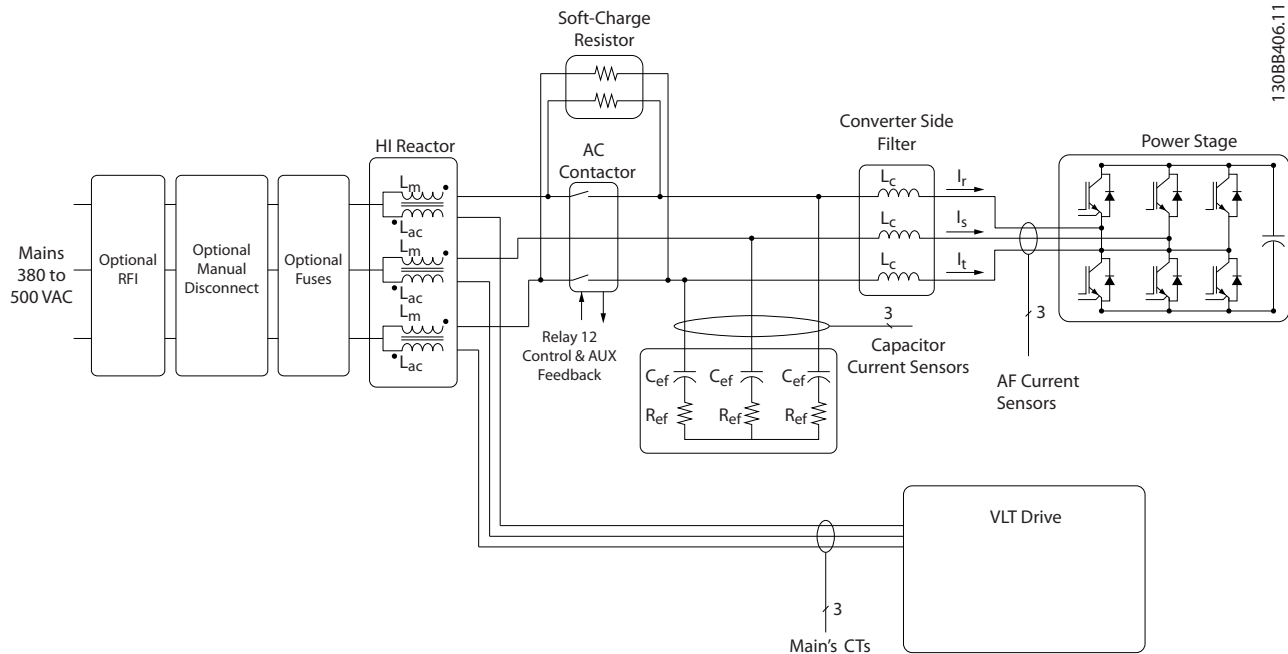
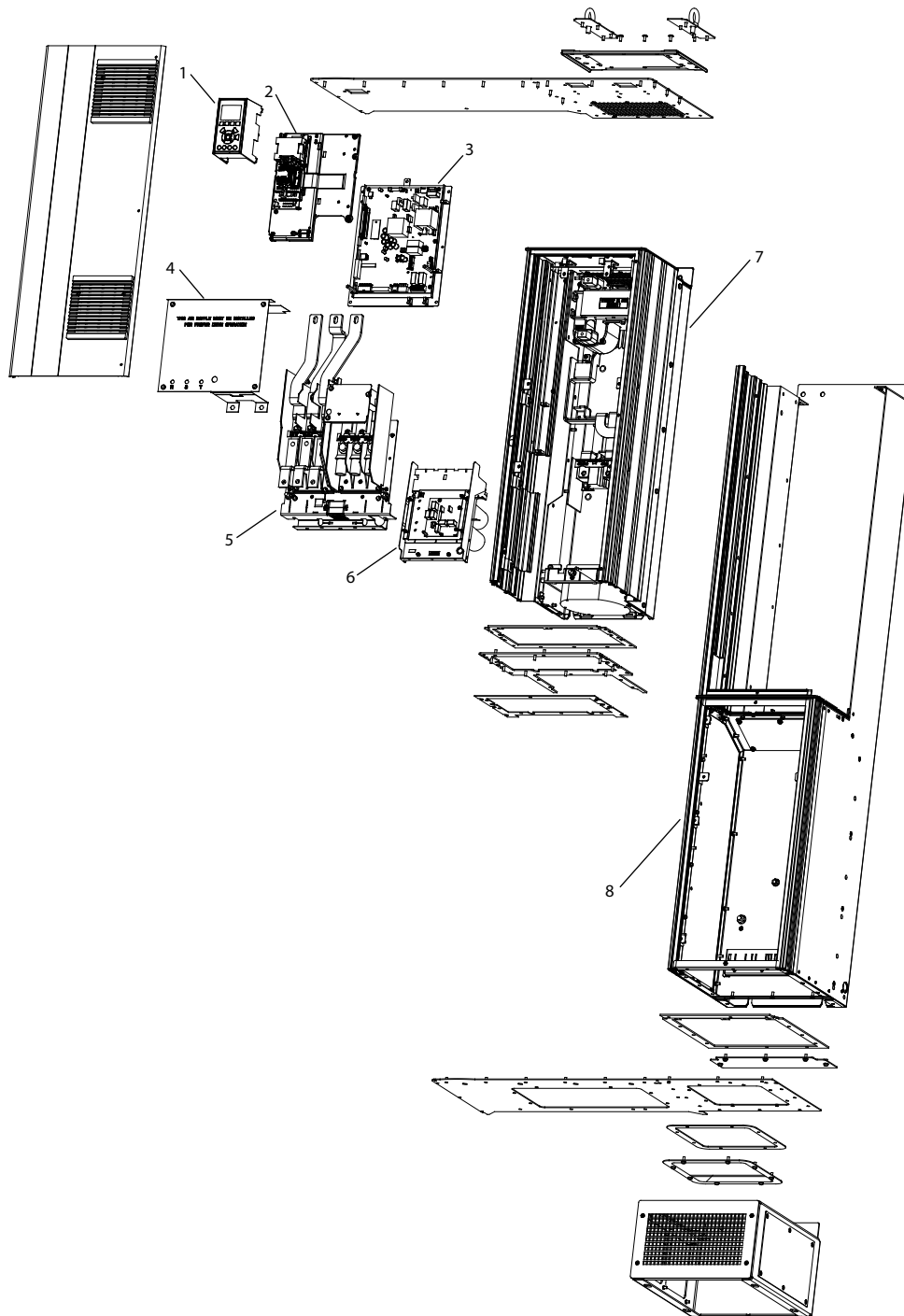


Illustration 1.1 Basic Layout for the Low Harmonic Drive

Low harmonic drives are designed to draw an ideal sinusoidal current waveform from the supply grid with a power factor of 1. Where traditional non-linear load draws pulse-shaped currents, the low harmonic drive compensates that via the parallel filter path, lowering the stress on the supply grid. The low harmonic drive meets the highest harmonic standards with a THDi less than 5% at full load for <3% pre-distortion on a 3% unbalanced 3-phase grid.

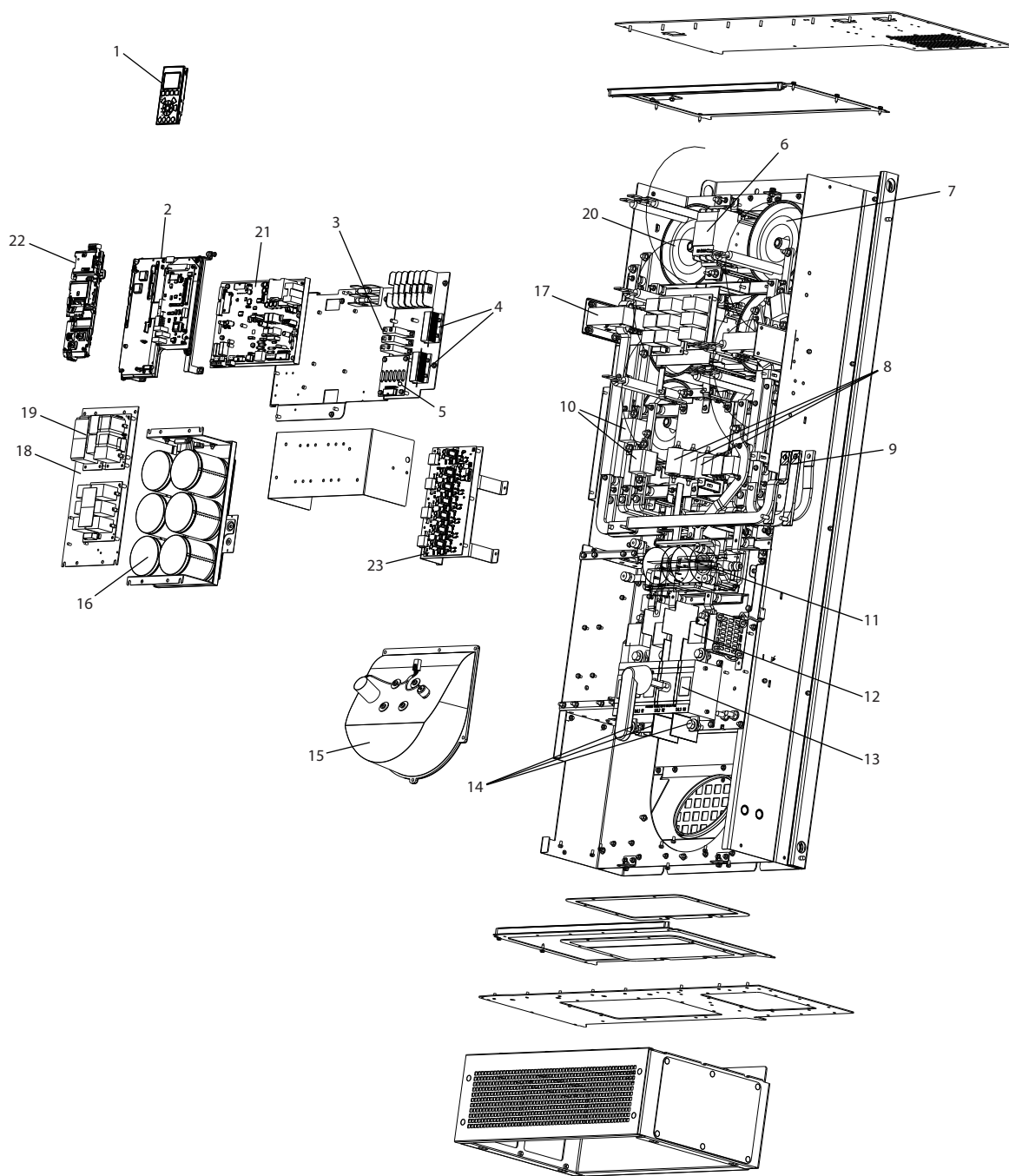
1.3.3 Exploded View Drawings



130BE136.10

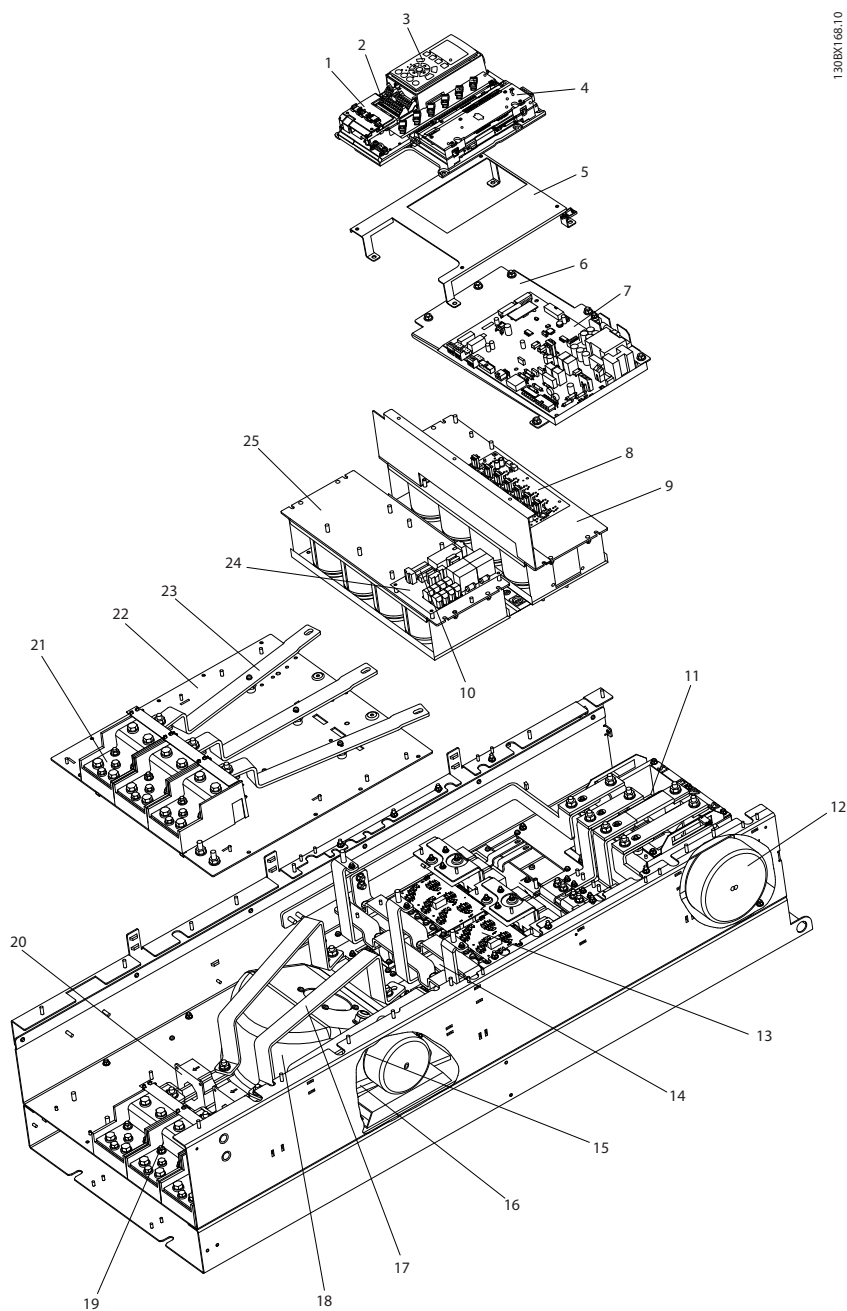
1	Local control panel (LCP)	5	Input/output terminal assembly
2	Control card assembly	6	Capacitor bank assembly
3	Power card assembly	7	D1/D2 assembly
4	Terminal cover sheet	8	EOC assembly

Illustration 1.2 Enclosure Size D1n/D2n, Frequency Converter Enclosure



1	Local control panel (LCP)	13	Mains fuses
2	Active filter card (AFC)	14	Mains disconnect
3	Metal oxide varistor (MOV)	15	Mains terminals
4	Soft charge resistors	16	Heat sink fan
5	AC capacitors discharge board	17	DC capacitor bank
6	Mains contactor	18	Current transformer
7	LC inductor	19	RFI differential mode filter
8	AC capacitors	20	RFI common mode filter
9	Mains bus bar to frequency converter input	21	HI inductor
10	IGBT fuses	22	Power card
11	RFI filter	23	Gate drive card
12	Fuses		

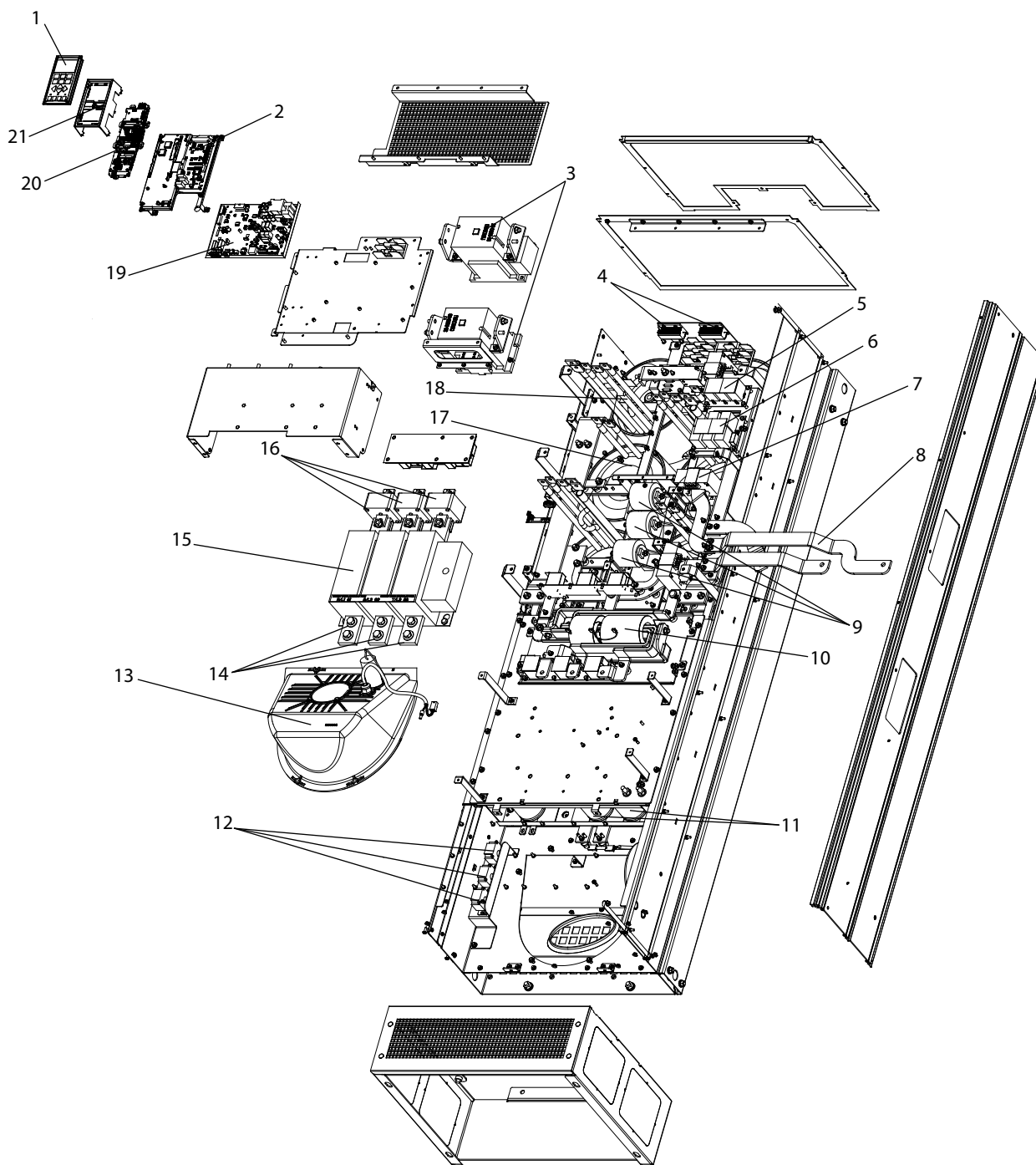
Illustration 1.3 Enclosure Size D1n/D2n, Filter Enclosure



1-30BX168.10

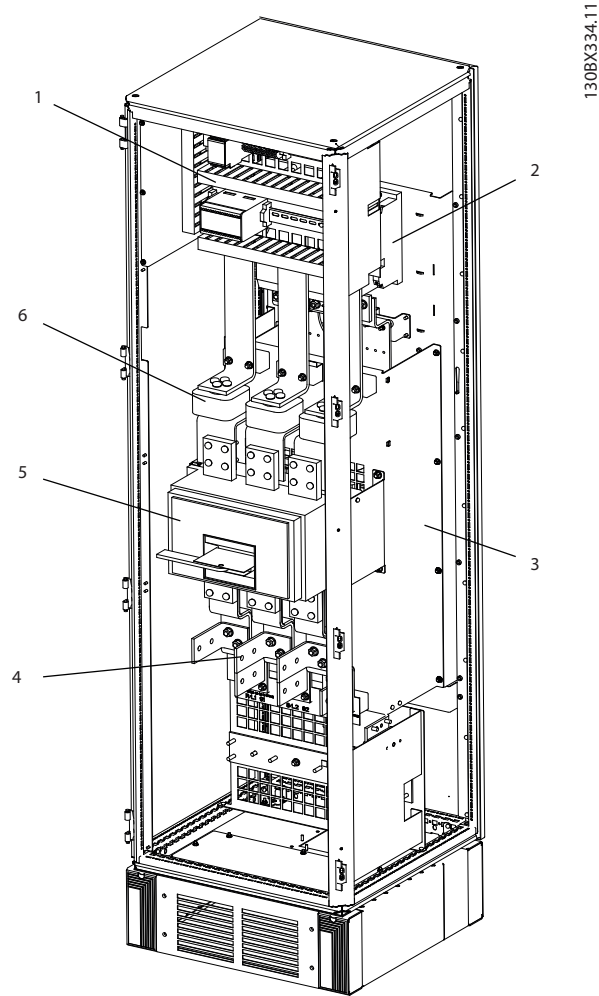
1	Control card	14	SCR and diode
2	Control input terminals	15	Fan inductor (not on all units)
3	Local control panel (LCP)	16	Soft charge resistor assembly
4	Control card C option	17	IGBT output bus bar
5	Mounting bracket	18	Fan assembly
6	Power card mounting plate	19	Output motor terminals
7	Power card	20	Current sensor
8	IGBT gate drive card	21	Mains AC power input terminals
9	Upper capacitor bank assembly	22	Input terminal mounting plate
10	Soft charge fuses	23	AC input bus bar
11	DC inductor	24	Soft charge card
12	Fan transformer	25	Lower capacitor bank assembly
13	IGBT module		

Illustration 1.4 Enclosure Size E9, Frequency Converter Enclosure



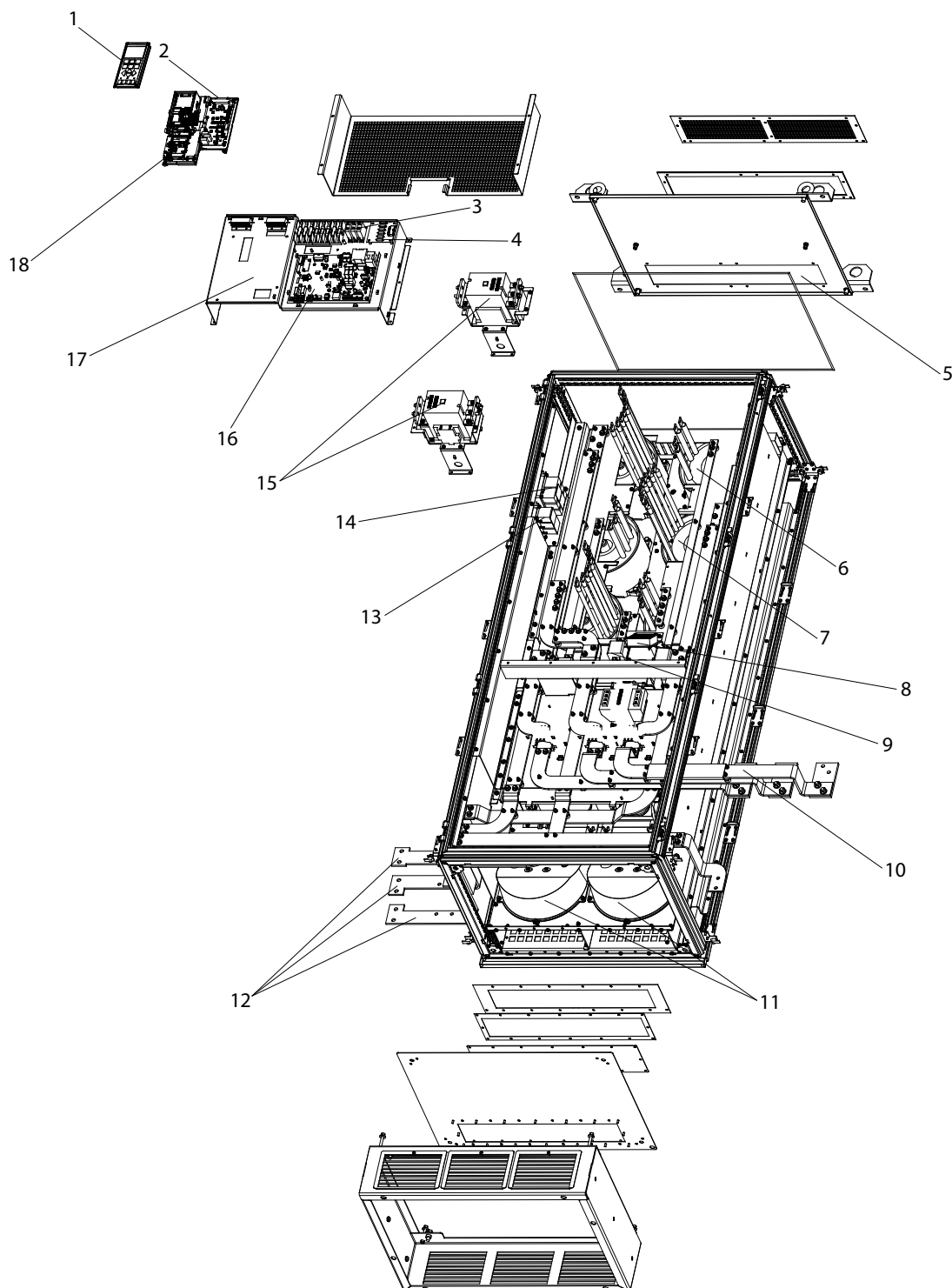
1	Local control panel (LCP)	12	AC capacitor current transducers
2	Active filter card (AFC)	13	Heat sink fan
3	Mains contactors	14	Mains terminals
4	Soft charge resistors	15	Mains disconnect
5	RFI differential mode filter	16	Mains fuses
6	RFI common mode filter	17	LC inductor
7	Current transformer (CT)	18	HI inductor
8	Mains bus bars to drive output	19	Power card
9	AC capacitors	20	Control card
10	RFI	21	LCP cradle
11	Lower DC capacitor bank		

Illustration 1.5 Enclosure Size E9, Filter Enclosure



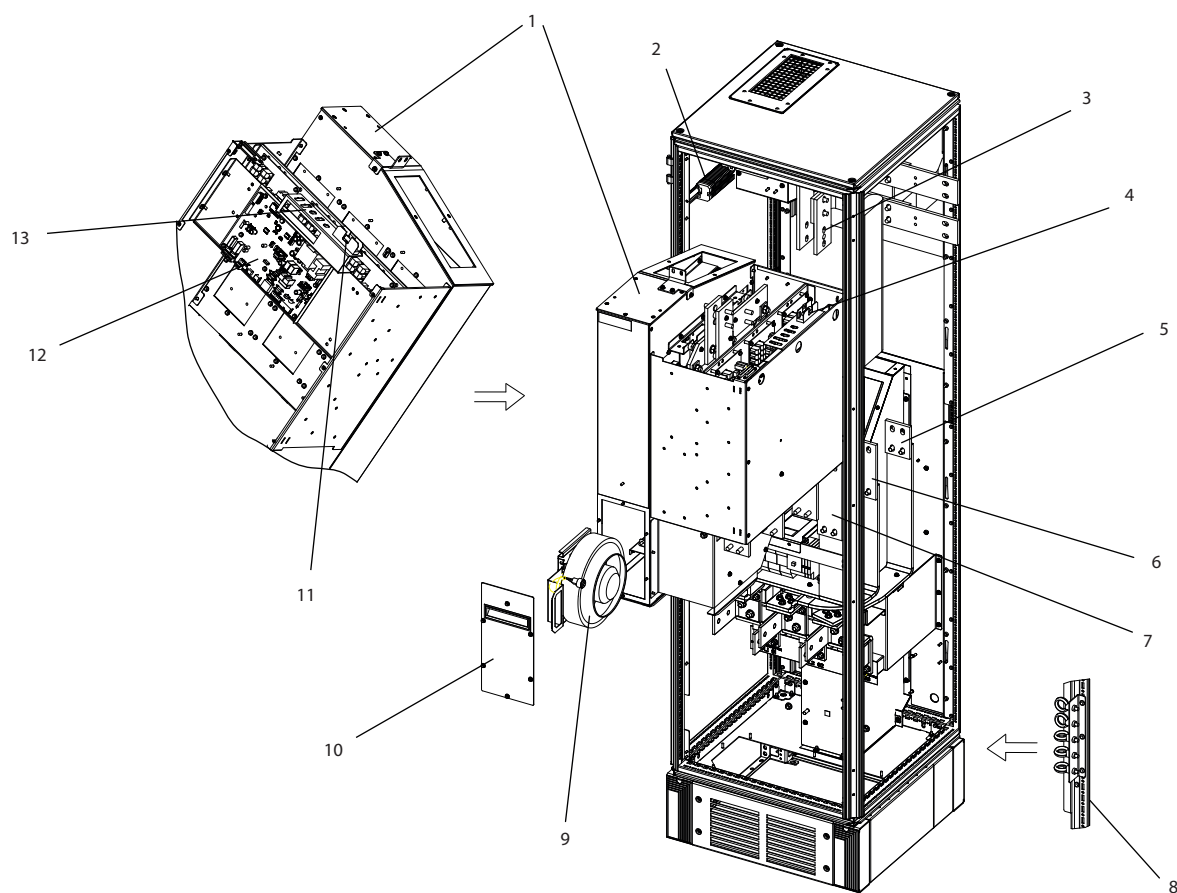
1	Contactor	4	Circuit breaker or disconnect (if purchased)
2	RFI filter	5	AC mains/line fuses (if purchased)
3	Mains AC power input terminals	6	Mains disconnect

Illustration 1.6 Enclosure Size F18, Input Options Cabinet



1	Local control panel (LCP)	10	Mains bus bars to frequency converter input
2	Active filter card (AFC)	11	Heat sink fans
3	Soft charge resistors	12	Mains terminals (R/L1, S/L2, T/L3) from options cabinet
4	Metal oxide varistor (MOV)	13	RFI differential mode filter
5	AC capacitors discharge board	14	RFI common mode filter
6	LC inductor	15	Mains contactor
7	HI inductor	16	Power card
8	Mixing fan	17	Control card
9	IGBT fuses	18	LCP cradle

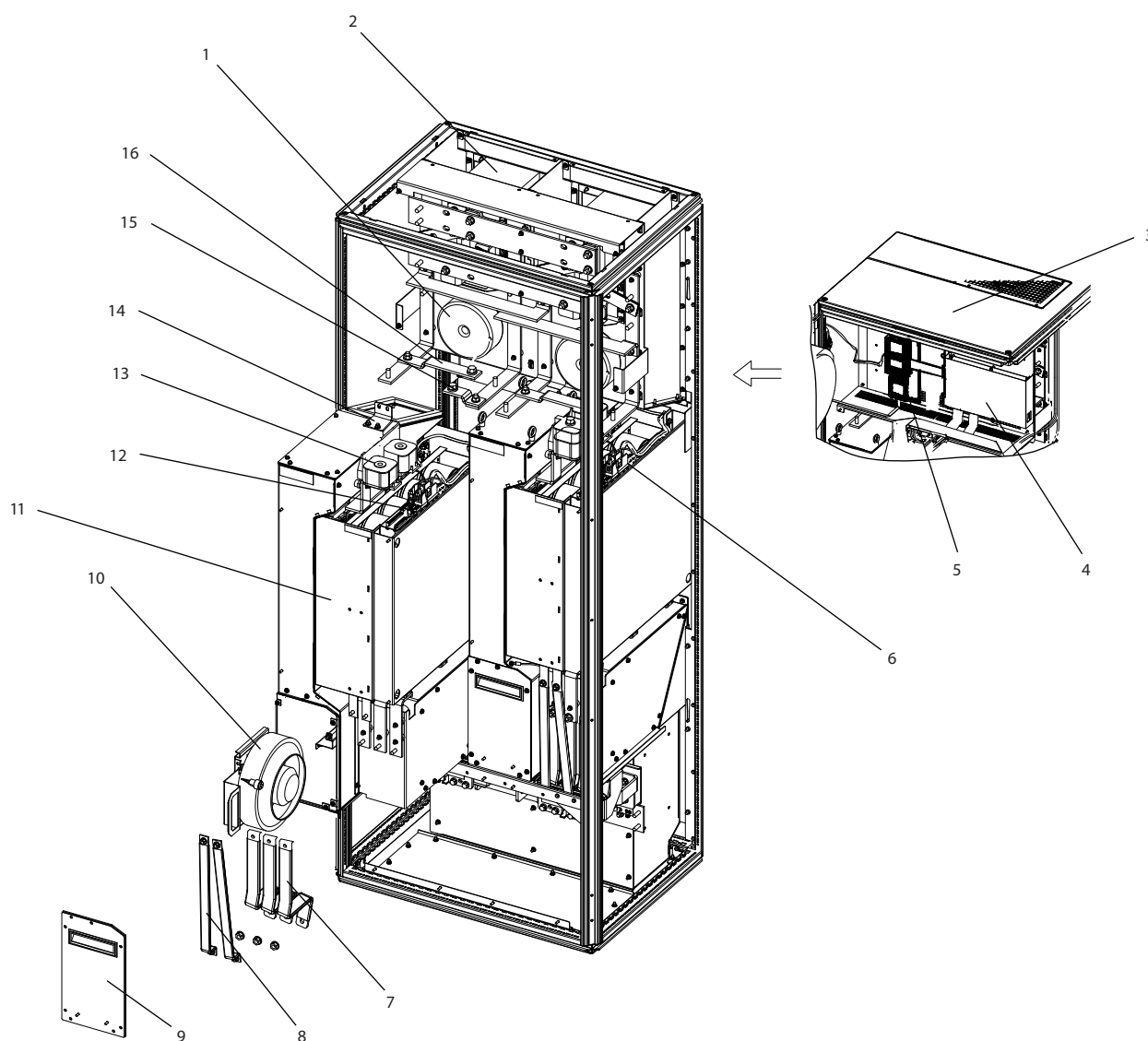
Illustration 1.7 Enclosure Size F18, Filter Cabinet



1308X331.11

1	Rectifier module	8	Module heat sink fan
2	DC bus bar	9	Fan door cover
3	SMPS fuse	10	SMPS fuse
4	(Optional) back AC fuse mounting bracket	11	Power card
5	(Optional) middle AC fuse mounting bracket	12	Panel connectors
6	(Optional) front AC fuse mounting bracket	13	Control card
7	Module lifting eye bolts (mounted on a vertical strut)		

Illustration 1.8 Enclosure Size F18, Rectifier Cabinet



1	Fan transformer	9	Fan door cover
2	DC-link inductor	10	Module heat sink fan
3	Top cover plate	11	Inverter module
4	MDCIC board	12	Panel connectors
5	Control card	13	DC fuse
6	SMPS fuse and fan fuse	14	Mounting bracket
7	Motor output bus bar	15	(+) DC bus bar
8	Brake output bus bar	16	(-) DC bus bar

Illustration 1.9 Enclosure Size F18, Inverter Cabinet

1.4 Enclosure Sizes and Power Ratings

Enclosure size		D1n	D2n	E9	F18
Enclosure protection	IP	21/54	21/54	21/54	21/54
	NEMA	Type 1/Type 12	Type 1/Type 12	Type 1/Type 12	Type 1/Type 12
Frequency converter dimensions [mm/inch]	Height	1740/68.5	1740/68.5	2000.7/78.77	2278.4/89.70
	Width	915/36.02	1020/40.16	1200/47.24	2792/109.92
	Depth	380/14.96	380/14.96	493.5/19.43	605.8/23.85
Frequency converter weights [kg/lbs]	Maximum weight	353/777	413/910	676/1490	1900/4189
	Shipping weight	416/917	476/1050	840/1851	2345/5171

Table 1.1 Mechanical Dimensions, Enclosure Sizes D, E, and F

1.5 Approvals and Certifications

1.5.1 Approvals



Table 1.2 Compliance Marks: CE, UL, and C-Tick

1.5.2 Compliance with ADN

For compliance with the European Agreement concerning International Carriage of Dangerous Goods by Inland Waterways (ADN), refer to *ADN-compliant Installation* in the *Design Guide*.

1.6 Harmonics Overview

1.6.1 Harmonics

Non-linear loads such as found with 6-pulse frequency converters do not draw current uniformly from the power line. This non-sinusoidal current has components which are multiples of the fundamental current frequency. These components are referred to as harmonics. It is important to control the total harmonic distortion on the mains supply. Although the harmonic currents do not directly affect electrical energy consumption, they generate heat in wiring and transformers and can impact other devices on the same power line.

1.6.2 Harmonic Analysis

Since harmonics increase heat losses, it is important to design systems with harmonics in mind to prevent overloading the transformer, inductors, and wiring.

When necessary, perform an analysis of the system harmonics to determine equipment effects.

A non-sinusoidal current is transformed with a Fourier series analysis into sine-wave currents at different frequencies, that is, different harmonic currents I_n with 50 Hz or 60 Hz as the fundamental frequency.

Abbreviation	Description
f_1	Fundamental frequency (50 Hz or 60 Hz)
I_1	Current at the fundamental frequency
U_1	Voltage at the fundamental frequency
I_n	Current at the n^{th} harmonic frequency
U_n	Voltage at the n^{th} harmonic frequency
n	Harmonic order

Table 1.3 Harmonics-related Abbreviations

	Fundamental current (I_1)	Harmonic current (I_n)		
Current	I_1	I_5	I_7	I_{11}
Frequency [Hz]	50	250	350	550

Table 1.4 Fundamental and Harmonic Currents

Current	Harmonic current				
	I_{RMS}	I_1	I_5	I_7	I_{11-49}
Input current	1.0	0.9	0.5	0.2	<0.1

Table 1.5 Harmonic Currents Compared to the RMS Input Current

The voltage distortion on the mains supply voltage depends on the size of the harmonic currents multiplied

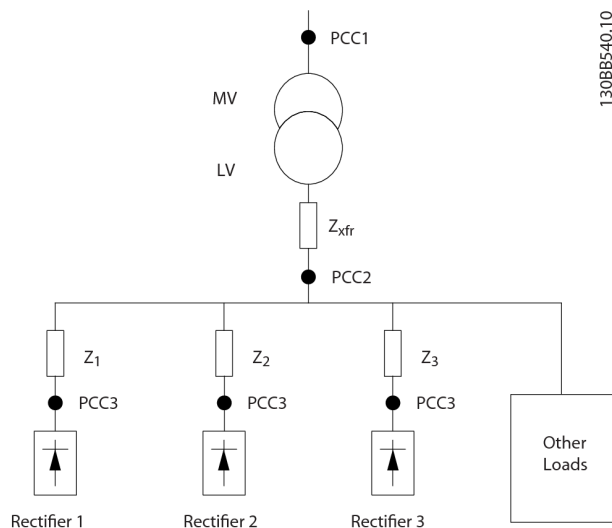
1

by the mains impedance for the frequency in question. The total voltage distortion (THDi) is calculated based on the individual voltage harmonics using this formula:

$$THDi = \frac{\sqrt{U_{25}^2 + U_{27}^2 + \dots + U_{2n}^2}}{U}$$

1.6.3 Effect of Harmonics in a Power Distribution System

In *Illustration 1.10*, a transformer is connected on the primary side to a point of common coupling PCC1, on the medium voltage supply. The transformer has an impedance Z_{xfr} and feeds a number of loads. The point of common coupling where all loads are connected is PCC2. Each load is connected through cables that have an impedance Z_1 , Z_2 , Z_3 .



PCC	Point of common coupling
MV	Medium voltage
LV	Low voltage
Z_{xfr}	Transformer impedance
$Z_{\#}$	Modeling resistance and inductance in the wiring

Illustration 1.10 Small Distribution System

Harmonic currents drawn by non-linear loads cause distortion of the voltage because of the voltage drop on the impedances of the distribution system. Higher impedances result in higher levels of voltage distortion.

Current distortion relates to apparatus performance and it relates to the individual load. Voltage distortion relates to system performance. It is not possible to determine the voltage distortion in the PCC knowing only the harmonic performance of the load. To predict the distortion in the PCC, the configuration of the distribution system and relevant impedances must be known.

A commonly used term for describing the impedance of a grid is the short-circuit ratio R_{sce} . R_{sce} is defined as the ratio between the short circuit apparent power of the supply at the PCC (S_{sc}) and the rated apparent power of the load (S_{equ}).

$$R_{sce} = \frac{S_{sc}}{S_{equ}}$$

where $S_{sc} = \frac{U^2}{Z_{supply}}$ and $S_{equ} = U \times I_{equ}$

Negative effects of harmonics

- Harmonic currents contribute to system losses (in cabling and transformer).
- Harmonic voltage distortion causes disturbance to other loads and increases losses in other loads.

1.6.4 IEC Harmonic Standards

The mains voltage is rarely a uniform sinusoidal voltage with constant amplitude and frequency because loads that draw non-sinusoidal currents from the mains have non-linear characteristics.

Harmonics and voltage fluctuations are two forms of low-frequency mains interference. They have a different appearance at their origin than at any other point in the mains system when a load is connected. So, a range of influences must be determined collectively when assessing the effects of mains interference. These influences include the mains feed, structure, and loads.

Mains interference can cause the following:

Undervoltage warnings

- Incorrect voltage measurements due to distortion of the sinusoidal mains voltage.
- Cause incorrect power measurements because only RMS-true measuring takes harmonic content into account.

Higher functional losses

- Harmonics reduce the active power, apparent power, and reactive power.
- Distort electrical loads resulting in audible interference in other devices, or in worst case, even destruction.
- Shorten the lifetime of devices as a result of heating.

In most of Europe, the basis for the objective assessment of the quality of mains power is the Electromagnetic Compatibility of Devices Act (EMVG). Compliance with these regulations ensures that all devices and networks connected to electrical distribution systems fulfil their intended purpose without generating problems.

Standard	Definition
EN 61000-2-2, EN 61000-2-4, EN 50160	Define the mains voltage limits required for public and industrial power grids
EN 61000-3-2, 61000-3-12	Regulate mains interference generated by connected devices in lower current products
EN 50178	Monitors electronic equipment for use in power installations

Table 1.6 EN Design Standards for Mains Power Quality

There are 2 European standards that address harmonics in the frequency range from 0 Hz to 9 kHz:

EN 61000–2–2 (Compatibility Levels for Low-Frequency Conducted Disturbances and Signalling in Public Low-Voltage Power Supply Systems) states the requirements for compatibility levels for PCC (point of common coupling) of low-voltage AC systems on a public supply network. Limits are specified only for harmonic voltage and total harmonic distortion of the voltage. EN 61000–2–2 does not define limits for harmonic currents. In situations where the total harmonic distortion $THD(V)=8\%$, PCC limits are identical to those limits specified in the EN 61000–2–4 Class 2.

EN 61000–2–4 (Compatibility Levels for Low-Frequency Conducted Disturbances and Signalling in Industrial Plants) states the requirements for compatibility levels in industrial and private networks. The standard further defines the following 3 classes of electromagnetic environments:

- Class 1 relates to compatibility levels that are less than the public supply network, which affects equipment sensitive to disturbances (lab equipment, some automation equipment, and certain protection devices).
- Class 2 relates to compatibility levels that are equal to the public supply network. The class applies to PCCs on the public supply network and to IPCs (internal points of coupling) on industrial or other private supply networks. Any equipment designed for operation on a public supply network is allowed in this class.
- Class 3 relates to compatibility levels greater than the public supply network. This class applies only to IPCs in industrial environments. Use this class where the following equipment is found:

- Large converters
- Welding machines
- Large motors starting frequently
- Loads that change quickly

Typically, a class cannot be defined ahead of time without taking into account the intended equipment and processes to be used in the environment. VLT® Refrigeration Drive FC 103 Low Harmonic observes the limits of Class 3 under typical supply system conditions ($R_{SC} > 10$ or $V_{k\text{ Line}} < 10\%$).

Harmonic order (h)	Class 1 (V _h %)	Class 2 (V _h %)	Class 3 (V _h %)
5	3	6	8
7	3	5	7
11	3	3.5	5
13	3	3	4.5
17	2	2	4
17 < h ≤ 49	2.27 x (17/h) – 0.27	2.27 x (17/h) – 0.27	4.5 x (17/h) – 0.5

Table 1.7 Compatibility Levels for Harmonics

	Class 1	Class 2	Class 3
THD(V)	5%	8%	10%

Table 1.8 Compatibility Levels for the Total Harmonic Voltage Distortion THD(V)

1.6.5 IEEE Harmonic Standards

The IEEE 519 standard (Recommended Practices and Requirements for Harmonic Control in Electrical Power Systems) provides specific limits for harmonic voltages and currents for individual components within the supply network. The standard also provides limits for the sum of all loads at the point of common coupling (PCC).

To determine permissible harmonic voltage levels, IEEE 519 uses a ratio between the supply short-circuit current and the maximum current of the individual load. For permissible harmonic voltage levels for individual loads, see *Table 1.9*. For permissible levels for all loads connected to the PCC, see *Table 1.10*.

I _{sc} /I _L (R _{SC} E)	Permissible individual harmonic voltages	Typical areas
10	2.5–3%	Weak grid
20	2.0–2.5%	1–2 large loads
50	1.0–1.5%	A few high-output loads
100	0.5–1%	5–20 medium-output loads
1000	0.05–0.1%	Strong grid

Table 1.9 Permissible Voltage THD at the PCC for Each Individual Load

Voltage at the PCC	Permissible individual harmonic voltages	Permissible THD(V)
V _{Line} ≤ 69 kV	3%	5%

Table 1.10 Permissible Voltage THD at the PCC for all Loads

Limit harmonic currents to specified levels, as shown in *Table 1.11*. IEEE 519 utilises a ratio between the supply short-circuit current and the maximum current consumption at the PCC, averaged over 15 minutes or 30 minutes. In certain instances when dealing with harmonic limits containing low harmonic numbers, the IEEE 519 limits are lower than the 61000-2-4 limits. Low harmonic drives observe the total harmonic distortion as defined in IEEE 519 for all R_{sce}. Each individual harmonic current fulfills table 10-3 in IEEE 519 for R_{sce} ≥ 20.

$I_{sc}/L (R_{sCE})$	$h < 11$	$11 \leq h < 17$	$17 \leq h < 23$	$23 \leq h < 35$	$35 \leq h$	Total demand distortion TDD
<20	4%	2.0%	1.5%	0.6%	0.3%	5%
20<50	7%	3.5%	2.5%	1.0%	0.5%	8%
50<100	10%	4.5%	4.0%	1.5%	0.7%	12%
100<1000	12%	5.5%	5.0%	2.0%	1.0%	15%
>1000	15%	7.0%	6.0%	2.5%	1.4%	20%

Table 1.11 Permissible Harmonic Currents at the PCC

The VLT[®] Refrigeration Drive FC 103 Low Harmonic complies with the following standards:

- IEC61000-2-4
- IEC61000-3-4
- IEEE 519
- G5/4

2

2 Safety

2.1 Safety Symbols

The following symbols are used in this document:

⚠ WARNING

Indicates a potentially hazardous situation which could result in death or serious injury.

⚠ CAUTION

Indicates a potentially hazardous situation which could result in minor or moderate injury. It may also be used to alert against unsafe practices.

NOTICE

Indicates important information, including situations that may result in damage to equipment or property.

2.2 Qualified Personnel

Correct and reliable transport, storage, installation, operation, and maintenance are required for the safe operation of the frequency converter. Only qualified personnel are allowed to install or operate this equipment.

Qualified personnel is defined as trained staff, who are authorised to install, commission, and maintain equipment, systems, and circuits in accordance with pertinent laws and regulations. Additionally, qualified personnel are familiar with the instructions and safety measures described in this document.

2.3 Safety Precautions

⚠ WARNING

HIGH VOLTAGE

Frequency converters contain high voltage when connected to AC mains input power. Qualified personnel only should perform installation, start up, and maintenance. Failure to perform installation, start up, and maintenance by qualified personnel could result in death or serious injury.

⚠ WARNING

UNINTENDED START

When the frequency converter is connected to AC mains, the motor may start at any time. The frequency converter, motor, and any driven equipment must be in operational readiness. Failure to be in operational readiness when the frequency converter is connected to AC mains could result in death, serious injury, equipment, or property damage.

⚠ WARNING

DISCHARGE TIME

Frequency converters contain DC-link capacitors that can remain charged even when the frequency converter is not powered. To avoid electrical hazards, disconnect AC mains, any permanent magnet type motors, and any remote DC-link power supplies, including battery back-ups, UPS, and DC-link connections to other frequency converters. Wait for the capacitors to fully discharge before performing any service or repair work. The amount of wait time is listed in the *Discharge Time* table. Failure to wait the specified time after power has been removed before doing service or repair could result in death or serious injury.

Voltage [V]	Power ranges for normal overload operation [kW]	Minimum waiting time (minutes)
380-480	160-250	20
	315-710	40

Table 2.1 Discharge Times

3 Mechanical Installation

3.1 Equipment Pre-Installation Checklist

3.1.1 Planning the Installation Site

CAUTION

It is important to plan the installation of the frequency converter. Neglecting to plan may result in extra work during and after installation.

Select the best possible operation site by considering the following:

- Ambient operating temperature.
- Installation method.
- How to cool the unit.
- Position of the frequency converter.
- Cable routing.
- Ensure that the power source supplies the correct voltage and necessary current.
- Ensure that the motor current rating is within the maximum current from the frequency converter.
- If the frequency converter is without built-in fuses, ensure that the external fuses are rated correctly.

3.1.2 Equipment Pre-Installation Checklist

- Before unpacking the frequency converter, examine the packaging for signs of damage. If the unit is damaged, refuse delivery, and immediately contact the shipping company to claim the damage.
- Before unpacking the frequency converter, locate it as close as possible to the final installation site.
- Compare the model number on the nameplate to what was ordered to verify the proper equipment.
- Ensure that each of the following are rated for the same voltage:
 - Mains (power)
 - Frequency converter
 - Motor
- Ensure that the output current rating is equal to or greater than the motor full load current for peak motor performance.
 - Motor size and frequency converter power must match for proper overload protection.
 - If the frequency converter rating is less than that of the motor, full motor output is impossible.

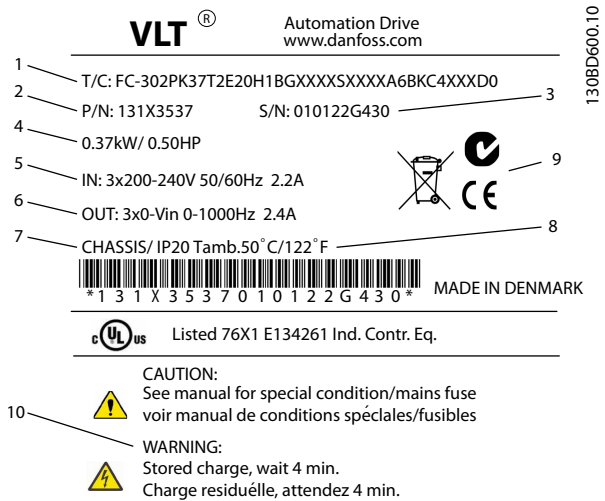
3.2 Unpacking

3.2.1 Items Supplied

Items supplied may vary according to product configuration.

3

- Make sure that the items supplied and the information on the nameplate correspond to the order confirmation.
- Check the packaging and the frequency converter visually for damage caused by inappropriate handling during shipment. File any claim for damage with the carrier. Retain damaged parts for clarification.



1	Type code
2	Code number
3	Serial number
4	Power rating
5	Input voltage, frequency, and current (at low/high voltages)
6	Output voltage, frequency, and current (at low/high voltages)
7	Enclosure type and IP rating
8	Maximum ambient temperature
9	Certifications
10	Discharge time (Warning)

Illustration 3.1 Product Nameplate (Example)

NOTICE

Do not remove the nameplate from the frequency converter (loss of warranty).

3.3 Mounting

3.3.1 Cooling and Airflow

Cooling

Obtain cooling by taking air in through the plinth in the front and out of the top, in and out the back of the unit, or by combining the cooling possibilities.

Back cooling

The backchannel air can also be ventilated in and out the back. This offers a solution where the backchannel could take air from outside the facility and return the heat losses outside the facility, thus reducing air-conditioning requirements.

Airflow

Secure the necessary airflow over the heat sink. The flow rate is shown in *Table 3.1*.

Enclosure protection	Enclosure size	Door fan/top fan airflow Total airflow of multiple fans	Heat sink fan Total airflow for multiple fans
IP21/NEMA 1 IP54/NEMA 12	D1n	3 door fans, 442 m ³ /h 2+1=2x170+102	2 heat sink fans, 1185 m ³ /h (1+1=765+544)
	D2n	3 door fan, 544 m ³ /h 2+1=2x170+204	2 heat sink fans, 1605 m ³ /h (1+1=765+840)
	E9	4 door fans, 680 m ³ /h (400 cfm) (2+2, 4x170=680)	2 heat sink fans, 2675 m ³ /h (1574 cfm) (1+1, 1230+1445=2675)
	F18	6 door fans, 3150 m ³ /h (1854 cfm) (6x525=3150)	5 heat sink fans, 4485 m ³ /h (2639 cfm) 2+1+2, ((2x765)+(3x985)=4485)

Table 3.1 Heat Sink Air Flow

NOTICE

For the frequency converter section, the fan runs for the following reasons:

- AMA.
- DC hold.
- Pre-mag.
- DC brake.
- 60% of nominal current is exceeded.
- Specific heat sink temperature exceeded (power size dependent).
- Specific power card ambient temperature exceeded (power size dependent).
- Specific control card ambient temperature exceeded.

Once the fan is started, it runs for minimum 10 minutes.

NOTICE

For the active filter, the fan runs for the following reasons:

- Active filter running.
- Active filter not running, but mains current exceeding the limit (power size dependent).
- Specific heat sink temperature exceeded (power size dependent).
- Specific power card ambient temperature exceeded (power size dependent).
- Specific control card ambient temperature exceeded.

Once the fan is started, it runs for minimum 10 minutes.

External ducts

If additional duct work is added externally to the Rittal cabinet, calculate the pressure drop in the ducting. Use *Illustration 3.2*, *Illustration 3.3*, and *Illustration 3.4* to derate the frequency converter according to the pressure drop.

3

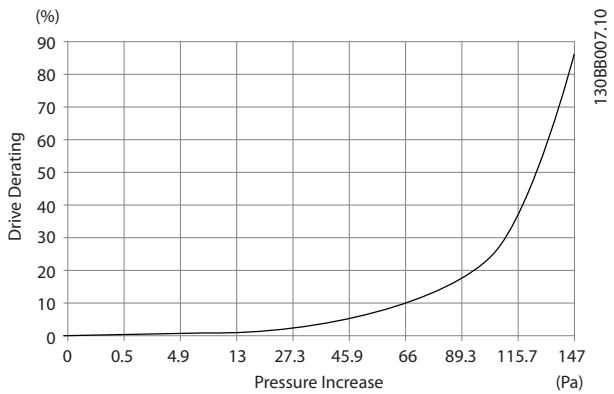


Illustration 3.2 D-Enclosure Derating vs. Pressure Change
Frequency Converter Air Flow: 450 cfm (765 m³/h)

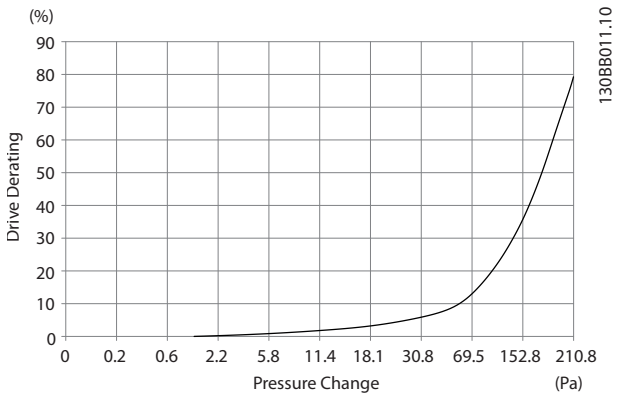


Illustration 3.3 E-Enclosure Derating vs. Pressure Change
Frequency Converter Air Flow: 850 cfm (1445 m³/h)

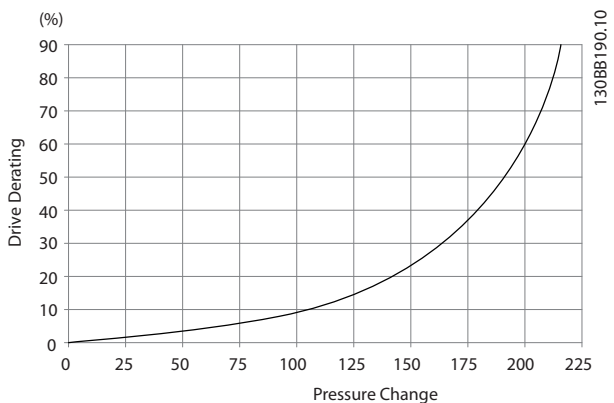
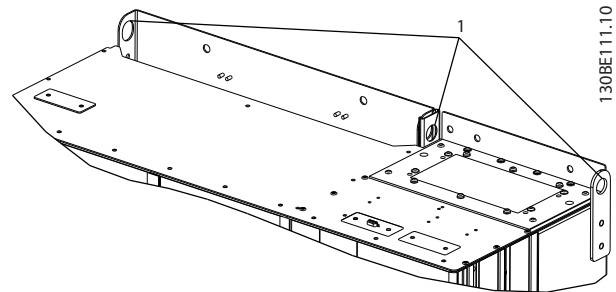


Illustration 3.4 F-Enclosure Derating vs. Pressure Change
Frequency Converter Air Flow: 580 cfm (985 m³/h)

3.3.2 Lifting

Lift the frequency converter using the dedicated lifting eyes. For all D-frames, use a bar to avoid bending the lifting holes of the frequency converter.



1 Lifting holes

Illustration 3.5 Recommended Lifting Method, Enclosure Size D1n/D2n

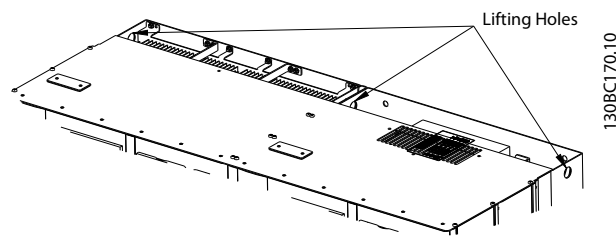
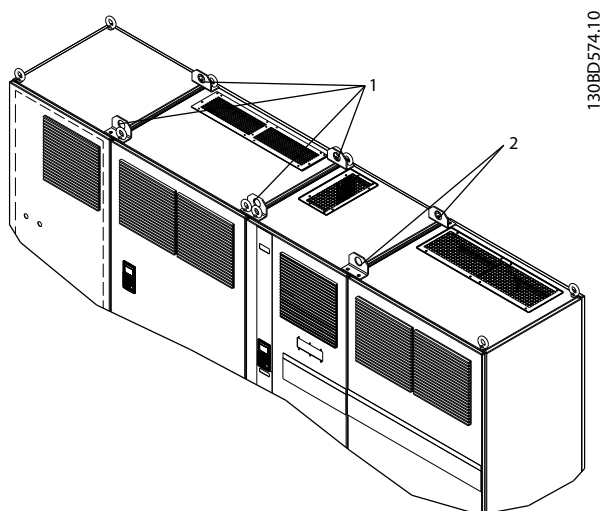


Illustration 3.6 Recommended Lifting Method, Enclosure Size E9

⚠ WARNING

The lifting bar must be able to handle the weight of the frequency converter. See *chapter 8.2 Mechanical Dimensions* for the weight of the different enclosure sizes. Maximum diameter for the bar is 2.5 cm (1 inch). The angle from the top of the frequency converter to the lifting cable should be 60° or greater.



1	Lifting holes for the filter
2	Lifting holes for the frequency converter

Illustration 3.7 Recommended Lifting Method, Enclosure Size F18

NOTICE

A spreader bar is also an acceptable way to lift the F-frame.

NOTICE

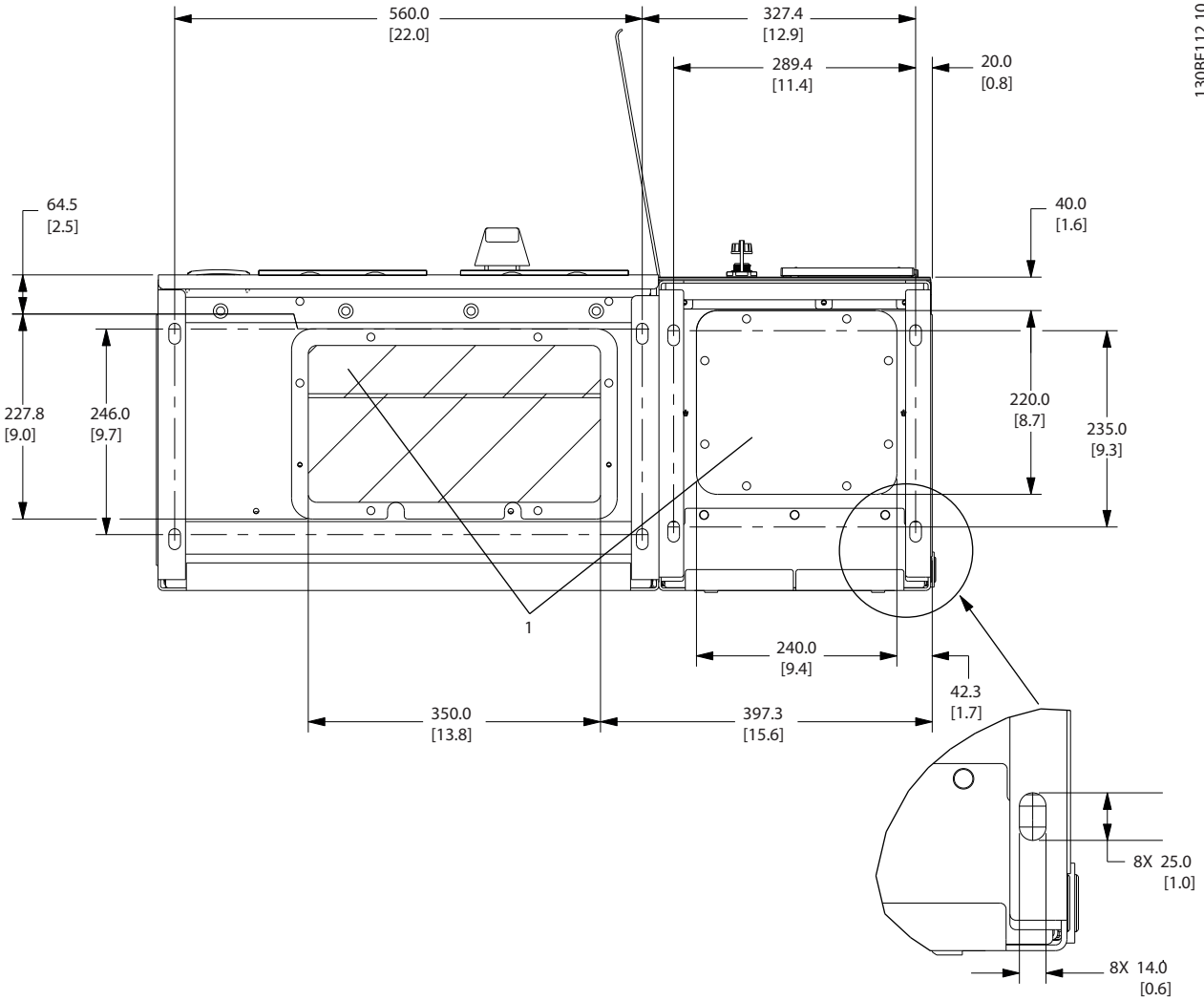
The F18 pedestal is packaged separately and included in the shipment. Mount the frequency converter on the pedestal in its final location. The pedestal allows proper airflow and cooling.

3.3.3 Cable Entry and Anchoring

Cables enter the unit through gland plate openings in the bottom. *Illustration 3.8*, *Illustration 3.9*, *Illustration 3.10*, and *Illustration 3.11* show gland entry locations and detailed views of anchoring hole dimensions.

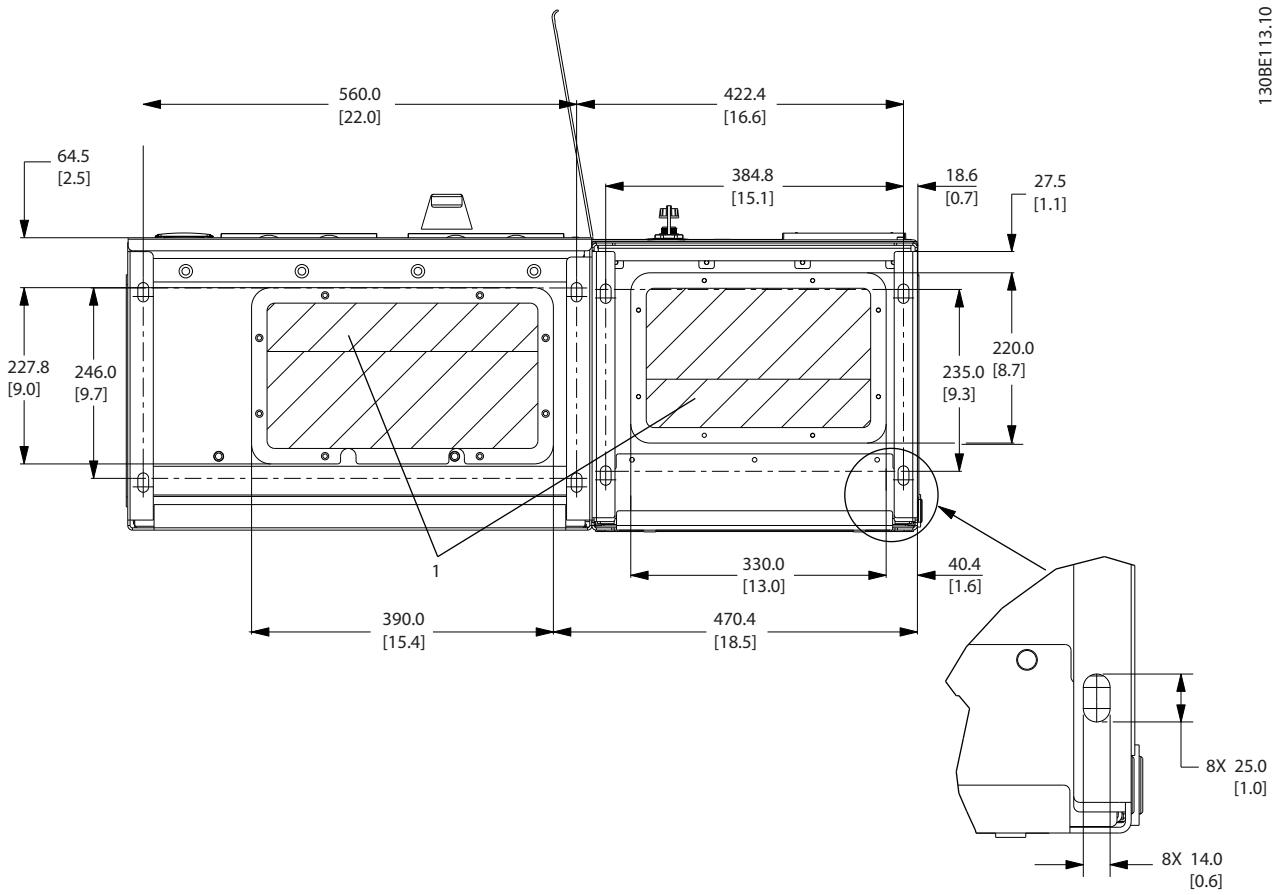
3

Bottom view, D1n/D2n



1	Cable entry locations
---	-----------------------

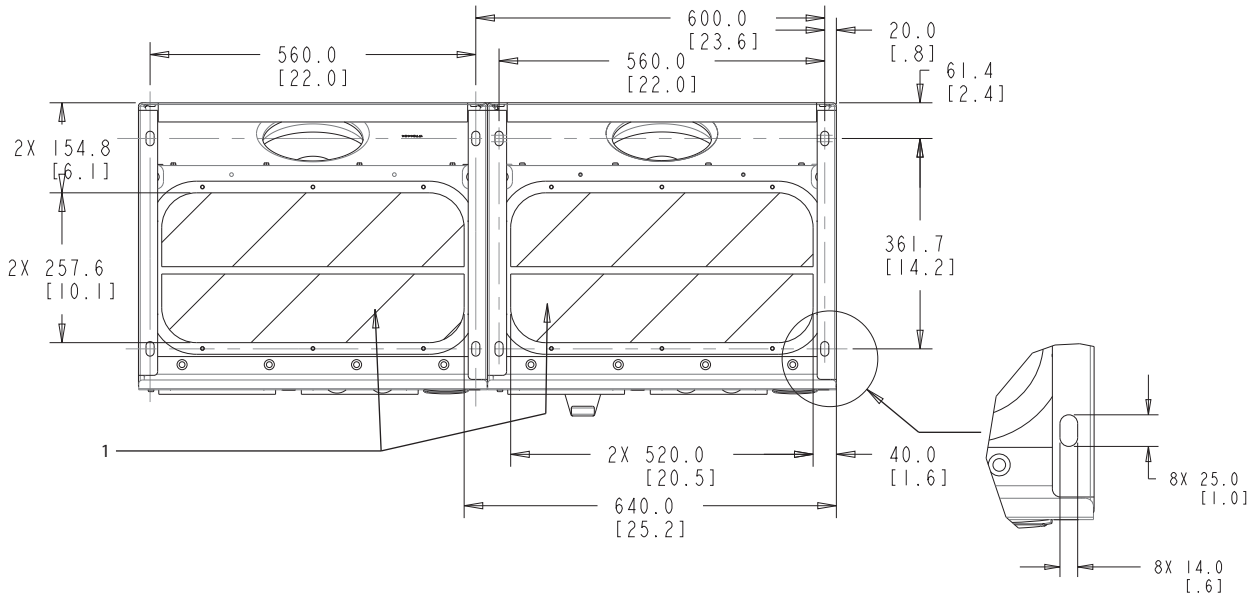
Illustration 3.8 Cable Entry Diagram, Enclosure Size D1n



1	Cable entry locations
---	-----------------------

Illustration 3.9 Cable Entry Diagram, Enclosure Size D2n

Bottom view, enclosure size E9



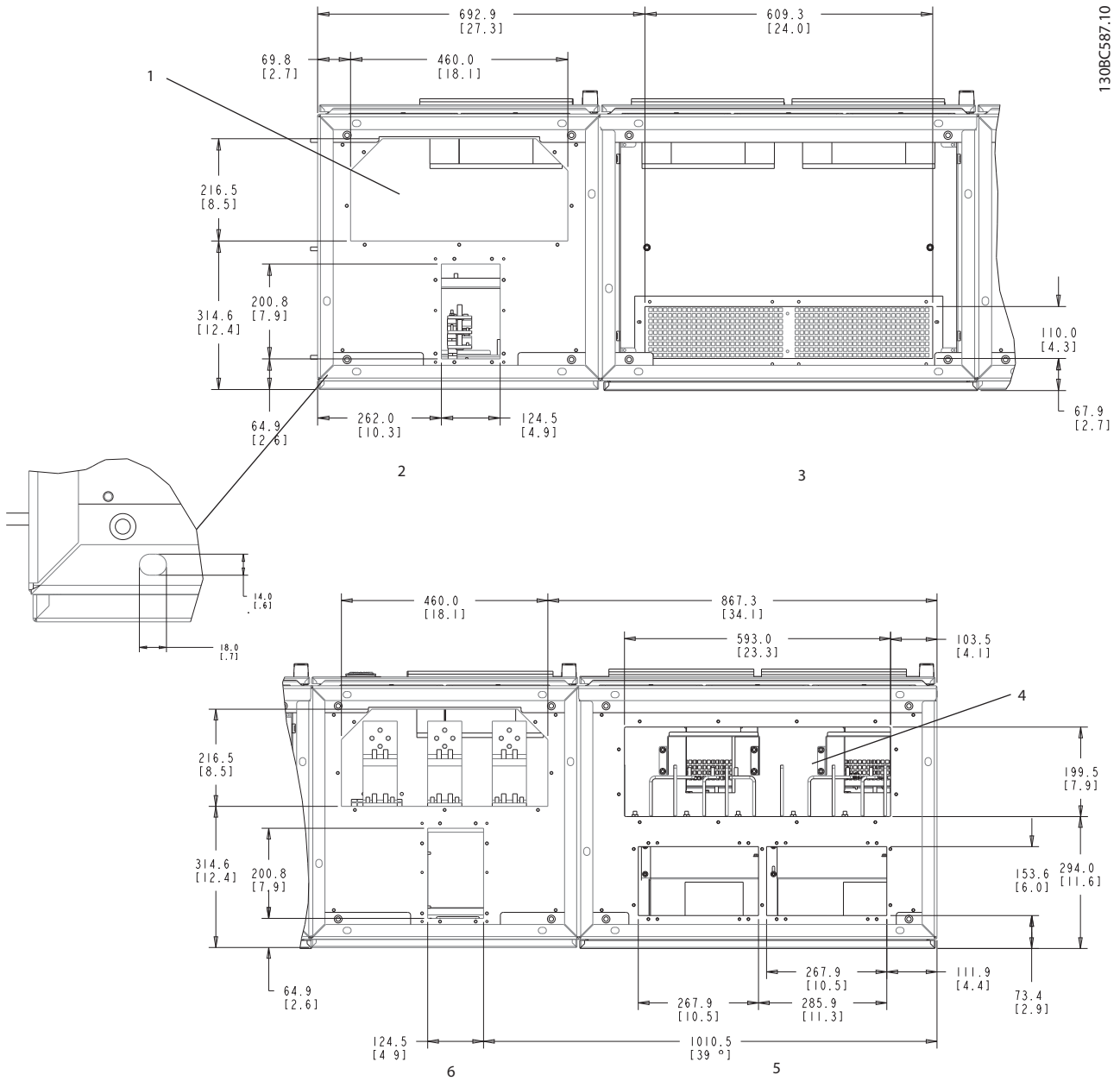
130BC586.10

3

1	Cable entry locations
---	-----------------------

Illustration 3.10 Cable Entry Diagram, E9

Bottom view, F18



1	Mains cable entry	4	Motor cable entry
2	Option enclosure	5	Inverter enclosure
3	Filter enclosure	6	Rectifier enclosure

Illustration 3.11 Cable Entry Diagram, F18

3.3.4 Terminal Locations for Enclosure Size D1n/D2n

3

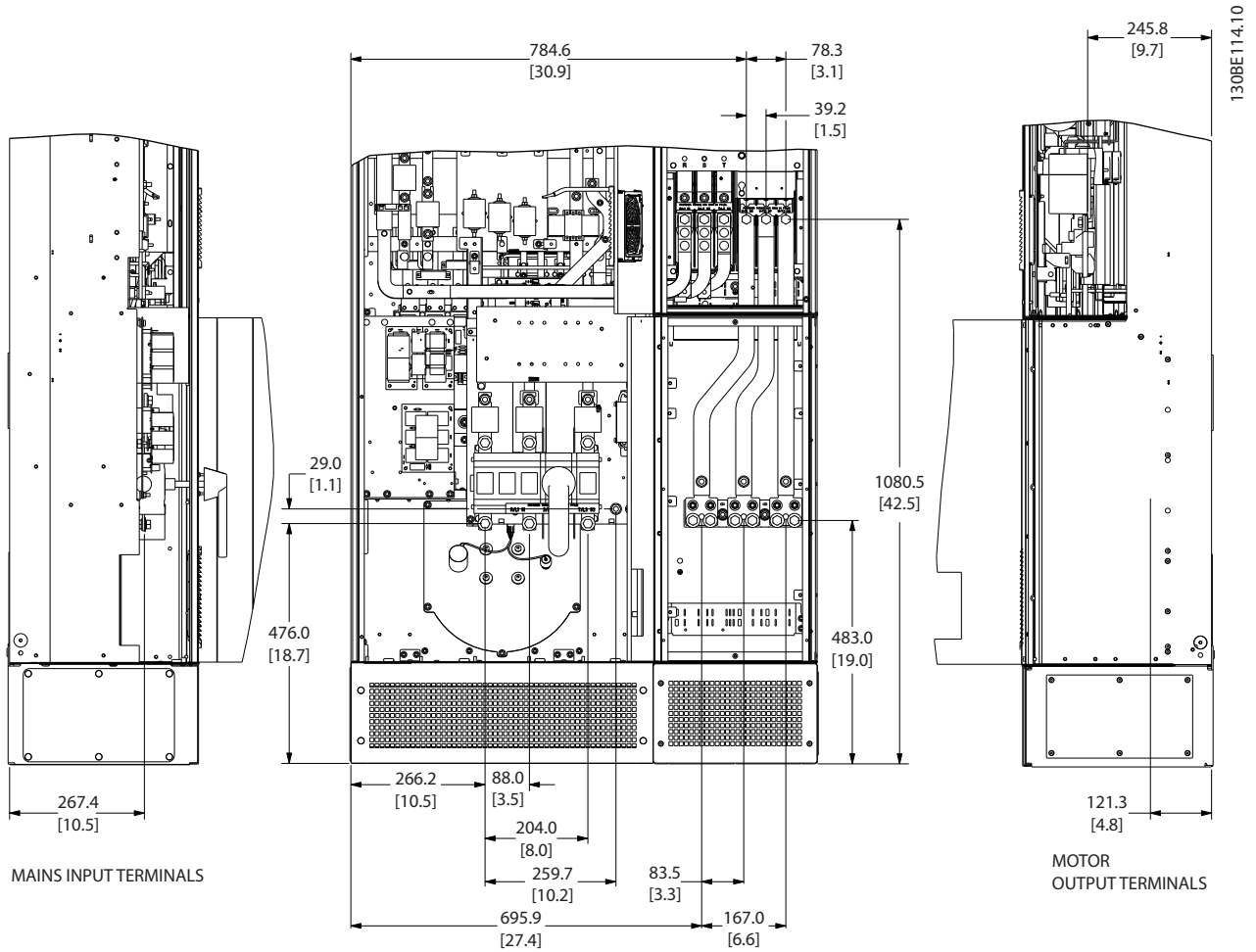
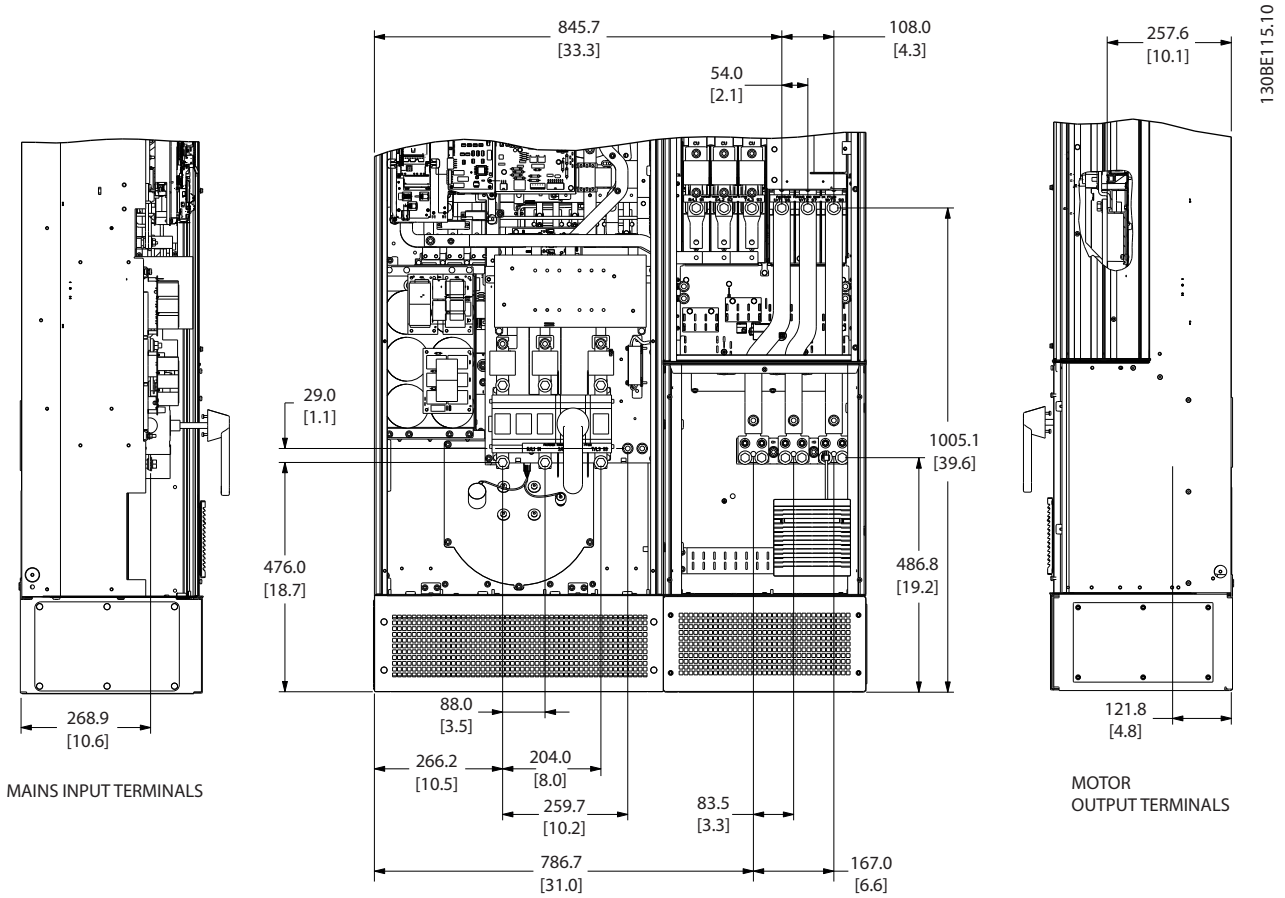


Illustration 3.12 Terminal Locations, Enclosure Size D1n



3

Illustration 3.13 Terminal Locations, Enclosure Size D2n

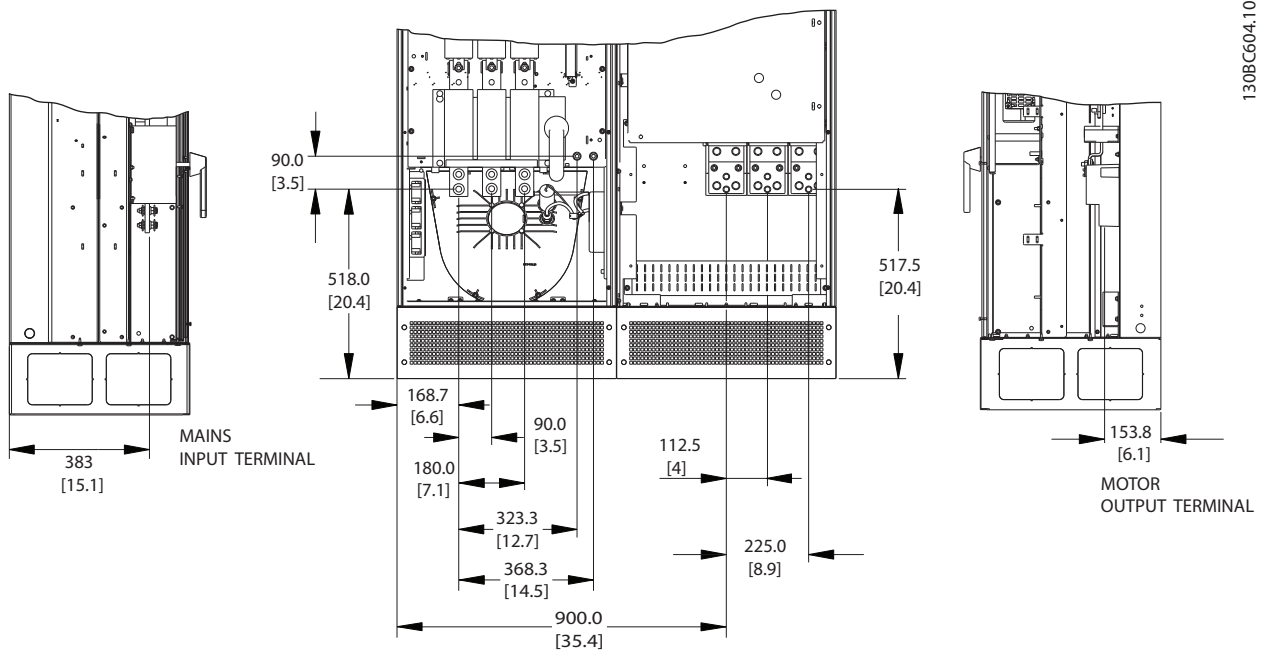
Allow for bend radius of heavy power cables.

NOTICE

All D-frames are available with standard input terminals, fuse, or disconnect switch.

3.3.5 Terminal Locations for Enclosure Size E9

3



130BC604.10

Illustration 3.14 Terminal Locations, Enclosure Size E9

Allow for bend radius of heavy power cables.

NOTICE

All E-frames are available with standard input terminals, fuse, or disconnect switch.

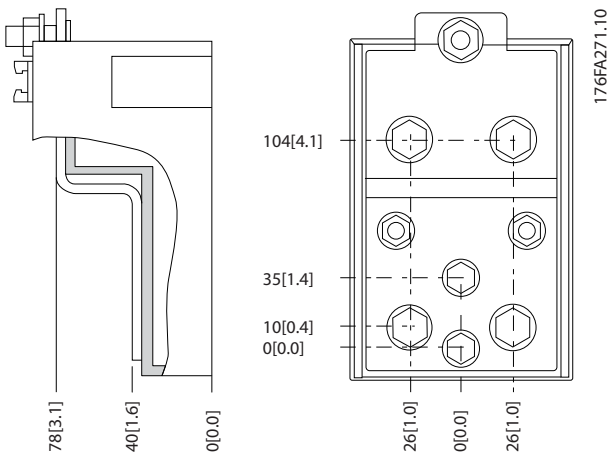


Illustration 3.15 Close-up Terminal Diagrams

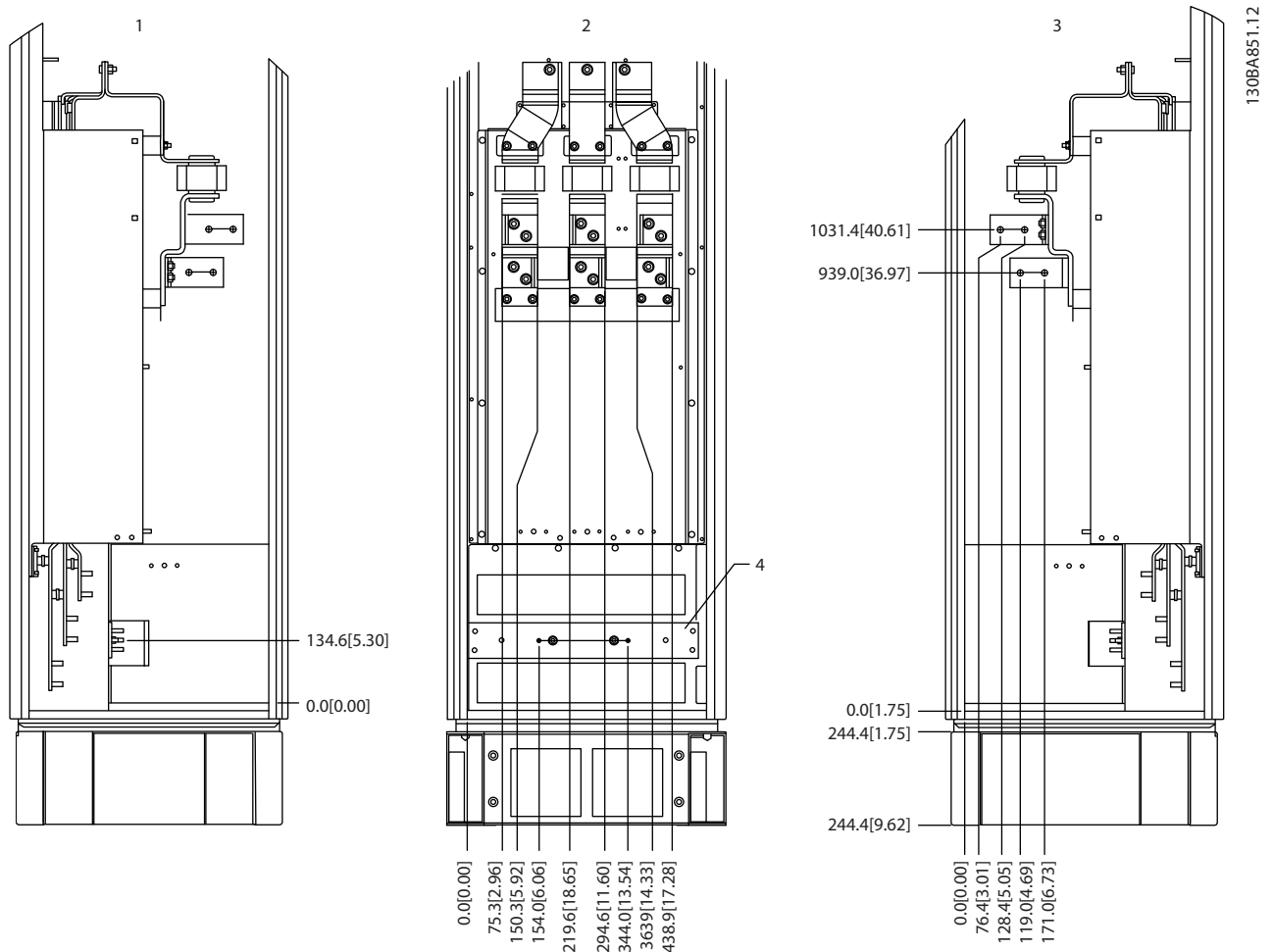
3.3.6 Terminal Locations for Enclosure Size F18

Consider the position of the terminals when designing the cable access.

F-frame units have 4 interlocked cabinets:

- Input options cabinet (not optional for LHD)
- Filter cabinet
- Rectifier cabinet
- Inverter cabinet

See *chapter 1.3.3 Exploded View Drawings* for exploded views of each cabinet. Mains inputs are located in the input option cabinet, which conducts power to the rectifier via interconnecting bus bars. Output from the unit is from the inverter cabinet. No connection terminals are located in the rectifier cabinet. Interconnecting bus bars are not shown.

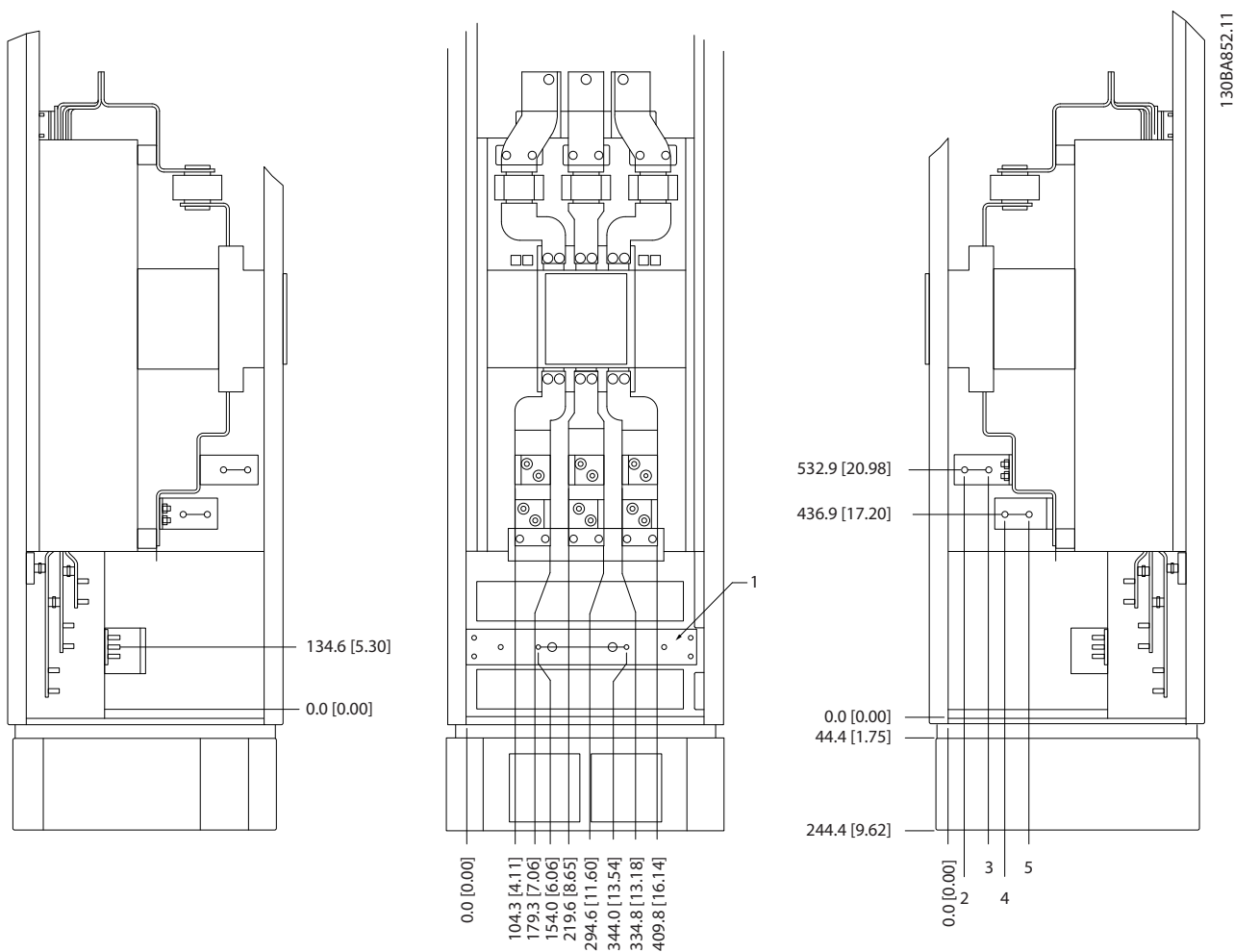


1	Right side cut-away	3	Left side cut-away
2	Front view	4	Ground bar

Illustration 3.16 Input Option Cabinet, Enclosure Size F18 - Fuses Only

The gland plate is 42 mm below the 0 level. Shown are the left side view, front, and right.

3

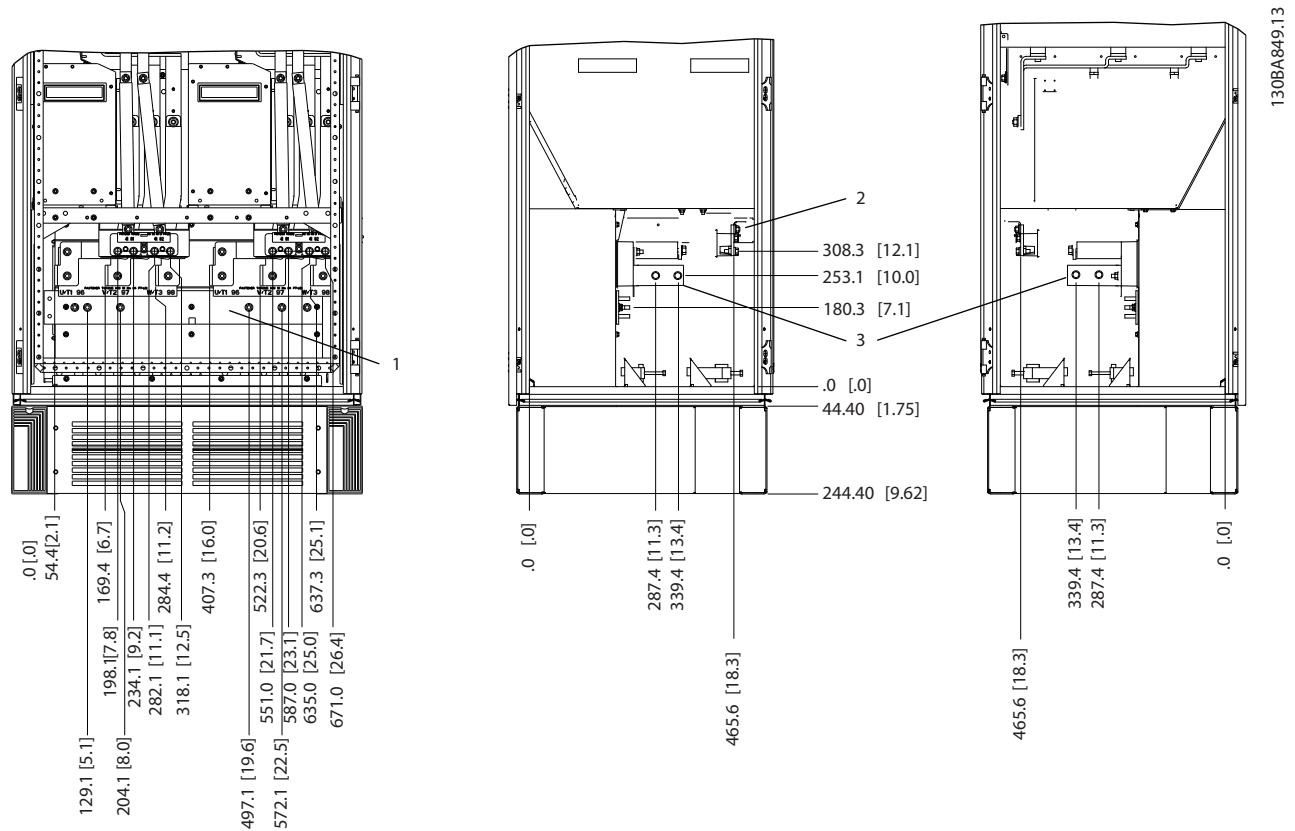


	500 kW ¹⁾ (mm [in.])	560–710 kW ¹⁾ (mm [in.])
1	Ground bar	
2	34.9 [1.4]	46.3 [1.8]
3	86.9 [3.4]	98.3 [3.9]
4	122.2 [4.8]	119 [4.7]
5	174.2 [6.9]	171 [6.7]

1) Disconnect location and related dimensions vary with kilowatt rating.

Illustration 3.17 Input Option Cabinet with Circuit Breaker, Enclosure Size F18

The gland plate is 42 mm below the 0 level. Shown are the left side view, front, and right.



1	Front view
2	Left side view
3	Right side view

Illustration 3.18 Inverter Cabinet, Enclosure Size F18

The gland plate is 42 mm below the 0 level. Shown are the left side view, front, and right.

3.3.7 Torque

Correct torque is imperative for all electrical connections. The correct values are listed in Table 3.2. Incorrect torque results in a bad electrical connection. Use a torque wrench to ensure correct torque.

Enclosure size	Terminal	Torque [Nm] (in-lbs)	Bolt size
D	Mains	19–40	M10
	Motor	(168–354)	
	Regen Brake	8.5–20.5 (75–181)	M8
E	Mains	19–40	M10
	Motor Regen	(168–354)	
	Brake	8.5–20.5 (75–181)	M8
F	Mains	19–40	M10
	Motor	(168–354)	
	Brake Regen	8.5–20.5 (75–181) 8.5–20.5 (75–181)	M8 M8

Table 3.2 Torque for Terminals

4 Electrical Installation

4.1 Safety Instructions

See *chapter 2 Safety* for general safety instructions.

WARNING

INDUCED VOLTAGE

Induced voltage from output motor cables that run together can charge equipment capacitors, even with the equipment turned off and locked out. Failure to run output motor cables separately or to use screened cables could result in death or serious injury.

- Run output motor cables separately, or
- Use screened cables.

CAUTION

SHOCK HAZARD

The frequency converter can cause a DC current in the PE conductor. Failure to follow the recommendation may lead to the RCD not providing the intended protection.

- When a residual current-operated protective device (RCD) is used for protection against electrical shock, only an RCD of Type B is permitted on the supply side.

Overcurrent protection

- Extra protective equipment, such as short-circuit protection or motor thermal protection between frequency converter and motor, is required for applications with multiple motors.
- Input fusing is required to provide short circuit and overcurrent protection. If not factory-supplied, the installer must provide fuses. See maximum fuse ratings in *chapter 8.4 Fuses*.

Wire type and ratings

- All wiring must comply with local and national regulations regarding cross-section and ambient temperature requirements.
- Power connection wire recommendation: Minimum 75 °C rated copper wire.

See *chapter 8.1 Power-Dependent Specifications* and *chapter 8.3 General Technical Data* for recommended wire sizes and types.

4.2 EMC Compliant Installation

To obtain an EMC-compliant installation, follow the instructions provided in *chapter 4.3 Power Connections*, *chapter 4.4 Grounding*, *chapter 4.6 Motor Connection*, and *chapter 4.8 Control Wiring*.

4.3 Power Connections

NOTICE

Cables, general information.

All cabling must comply with national and local regulations on cable cross-sections and ambient temperature. UL applications require 75 °C copper conductors. For non-UL applications, 75 and 90 °C copper conductors are thermally acceptable.

The power cable connections are located as shown in *Illustration 4.1*. Dimension cable cross-section in accordance with the current ratings and local legislation. See *chapter 8.3.1 Cable lengths and cross-sections* for details.

For protection of the frequency converter, use the recommended fuses if there are no built-in fuses. Fuse recommendations are provided in *chapter 8.4 Fuses*. Ensure that proper fusing is made according to local regulation.

If included, the mains connection is fitted to the mains switch.

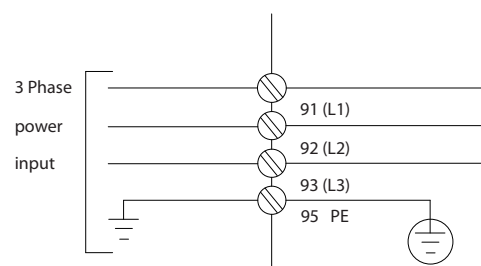


Illustration 4.1 Power Cable Connections

NOTICE

To comply with EMC emission specifications, screened/armoured cables are recommended. If an unscreened/unarmoured cable is used, see *chapter 4.7.3 Power and Control Wiring for Unscreened Cables*.

See *chapter 8 Specifications* for correct dimensioning of motor cable cross-section and length.

Screening of cables

Avoid installation with twisted screen ends (pigtails). They spoil the screening effect at higher frequencies. If breaking the screen is necessary to install a motor isolator or contactor, continue the screen at the lowest possible HF impedance.

Connect the motor cable screen to both the de-coupling plate of the frequency converter and to the metal housing of the motor.

Make the screen connections with the largest possible surface area (cable clamp). Use the installation devices within the frequency converter.

Cable-length and cross-section

The frequency converter has been EMC-tested with a given cable length. To reduce the noise level and leakage currents, keep the motor cable as short as possible.

Switching frequency

When frequency converters are used with sine-wave filters to reduce the acoustic noise from a motor, set the switching frequency according to *parameter 14-01 Switching Frequency*.

Terminal number	96	97	98	99	
	U	V	W	PE ¹⁾	Motor voltage 0–100% of mains voltage. 3 wires out of motor
	U1	V1	W1	PE ¹⁾	Delta-connected 6 wires out of motor
	W2	U2	V2		
	U1	V1	W1	PE ¹⁾	Star-connected U2, V2, W2 U2, V2, and W2 to be interconnected separately.

Table 4.1 Terminal Connections

1) Protective earth connection

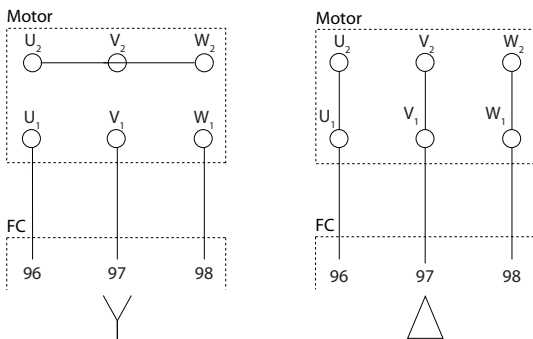


Illustration 4.2 Y and Delta Terminal Configurations

175ZA114.11

4.4 Grounding

WARNING

GROUNDING HAZARD!

For operator safety, it is important to ground the frequency converter properly in accordance with national and local electrical codes as well as instructions contained within this document. Do not use conduit connected to the frequency converter as a replacement for proper grounding. Ground currents are higher than 3.5 mA. Failure to ground the frequency converter properly could result in death or serious injury.

NOTICE

It is the responsibility of the user or certified electrical installer to ensure correct grounding of the equipment in accordance with national and local electrical codes and standards.

- Follow all local and national electrical codes to ground electrical equipment properly.
- Establish proper protective earthing for equipment with ground currents higher than 3.5 mA, see *chapter 4.4.1 Leakage Current (>3.5 mA)*.
- A dedicated ground wire is required for input power, motor power, and control wiring.
- Use the clamps provided with the equipment for proper ground connections.
- Do not ground one frequency converter to another in a “daisy chain” fashion.
- Keep the ground wire connections as short as possible.
- Using high-strand wire to reduce electrical noise is recommended.
- Follow motor manufacturer wiring requirements.

4.4.1 Leakage Current (>3.5 mA)

Follow national and local codes regarding protective earthing of equipment with a leakage current >3.5 mA. Frequency converter technology implies high frequency switching at high power. This generates a leakage current in the ground connection. A fault current in the frequency converter at the output power terminals might contain a DC component, which can charge the filter capacitors and cause a transient ground current. The earth leakage current depends on various system configurations including RFI filtering, screened motor cables, and frequency converter power.

EN/IEC61800-5-1 (Power Drive System Product Standard) requires special care if the leakage current exceeds 3.5 mA. Grounding must be reinforced in 1 of the following ways:

- Ground wire of at least 10 mm².
- 2 separate ground wires both complying with the dimensioning rules.

See EN 60364-5-54 § 543.7 for further information.

4.5 Input Options

4.5.1 Extra Protection (RCD)

ELCB relays, multiple protective grounding, or standard grounding provide extra protection, if local safety regulations are followed.

In the case of a ground fault, a DC component develops in the fault current.

If using ELCB relays, observe local regulations. Relays must be suitable for protection of 3-phase equipment with a bridge rectifier and for a brief discharge on power-up.

4.5.2 RFI Switch

Mains supply isolated from ground

If the frequency converter is supplied from an isolated mains source or TT/TN-S mains with grounded leg, turn off the RFI switch via *parameter 14-50 RFI Filter* on both frequency converter and the filter. For further reference, see IEC 364-3. When optimum EMC performance is needed, parallel motors are connected, or the motor cable length is above 25 m, set *parameter 14-50 RFI Filter* to [ON].

In OFF, the internal RFI capacitors (filter capacitors) between the enclosure and the DC link are cut off to avoid damage to the intermediate circuit and reduce ground capacity currents (IEC 61800-3).

Refer to the application note *VLT on IT mains*. It is important to use isolation monitors that work together with power electronics (IEC 61557-8).

4.5.3 Screened Cables

It is important to connect screened cables properly to ensure high EMC immunity and low emissions.

Connection can be made using either cable glands or clamps:

- EMC cable glands: Generally available cable glands can be used to ensure an optimum EMC connection.
- EMC cable clamp: Clamps allowing easy connection are supplied with the unit.

4.6 Motor Connection

4.6.1 Motor Cable

Connect the motor to terminals U/T1/96, V/T2/97, W/T3/98, on the far right of the unit. Ground to terminal 99. All types of 3-phase asynchronous standard motors can be used with a frequency converter. The factory setting is for clockwise rotation with the frequency converter output connected as follows:

Terminal number	Function
96, 97, 98	Mains U/T1, V/T2, W/T3
99	Ground

Table 4.2 Terminal Functions

- Terminal U/T1/96 connected to U-phase.
- Terminal V/T2/97 connected to V-phase.
- Terminal W/T3/98 connected to W-phase.

The direction of rotation can be changed by switching 2 phases in the motor cable or by changing the setting of *parameter 4-10 Motor Speed Direction*.

To check motor rotation, select *parameter 1-28 Motor Rotation Check* and follow the steps on the display.

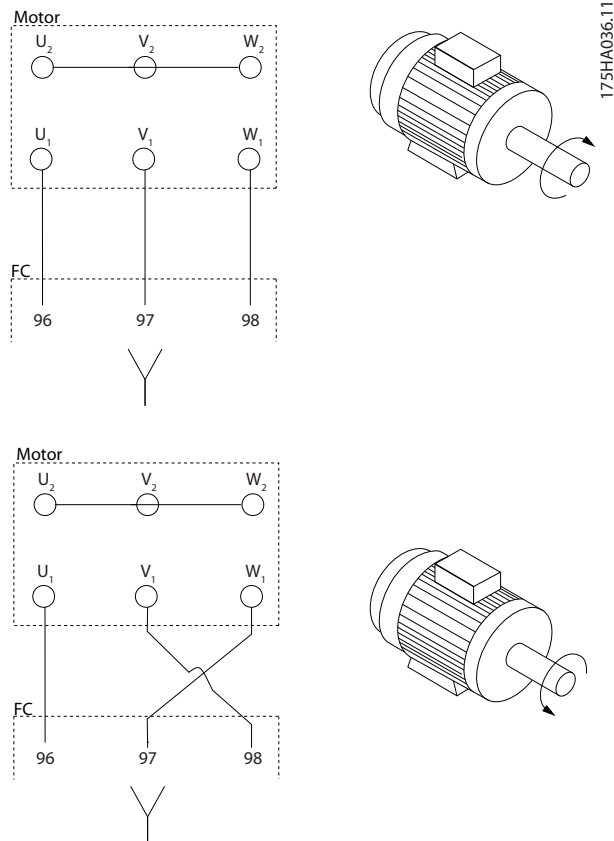


Illustration 4.3 Motor Rotation Check

F-frame requirements

Use motor phase cables in quantities of 2, resulting in 2, 4, 6, or 8 to obtain an equal number of wires on both inverter module terminals. The cables are required to be of equal length within 10% between the inverter module terminals and the first common point of a phase. The recommended common point is the motor terminals.

Output junction box requirements

The length, minimum 2.5 m, and quantity of cables must be equal from each inverter module to the common terminal in the junction box.

NOTICE

If a retrofit application requires an unequal number of wires per phase, consult the factory or use the top/bottom entry side cabinet option instruction.

4.6.2 Brake Cable

Frequency converters with factory installed brake chopper option.

(Only standard with letter B in position 18 in the type code).

The connection cable to the brake resistor must be screened, and the maximum length from frequency converter to the DC bar is limited to 25 m.

Terminal number	Function
81, 82	Brake resistor terminals

Table 4.3 Terminal Functions

Connect the screen with cable clamps to the conductive back plate of the frequency converter and the metal cabinet of the brake resistor.

Size the brake cable cross-section to match the brake torque.

WARNING

Note that voltages up to 790 V DC, depending on the supply voltage, are possible on the terminals.

F-frame requirements

Connect the brake resistors to the brake terminals in each inverter module.

4.6.3 Motor Insulation

For motor cable lengths ≤ the maximum cable length, the motor insulation ratings listed in Table 4.4 are recommended. The peak voltage can be twice the DC-link voltage or 2.8 times mains voltage, due to transmission line effects in the motor cable. If a motor has lower insulation rating, use a dU/dt or sine wave filter.

Nominal mains voltage	Motor insulation
$U_N \leq 420$ V	Standard $U_{LL} = 1300$ V
420 V < $U_N \leq 500$ V	Reinforced $U_{LL} = 1600$ V

Table 4.4 Recommended Motor Insulation Ratings

4.6.4 Motor Bearing Currents

Motors with a rating of 110 kW or higher combined with frequency converters are best with NDE (non-drive end) insulated bearings to eliminate circulating bearing currents caused by motor size. To minimise DE (drive end) bearing and shaft currents, proper grounding is required for:

- The frequency converter.
- The motor.
- Motor-driven machine.
- Motor to the driven machine.

Although failure due to bearing currents is infrequent, use the following strategies to reduce the likelihood:

- Use an insulated bearing.
- Apply rigorous installation procedures.
- Ensure that the motor and load motor are aligned.
- Strictly follow the EMC installation guideline.
- Reinforce the PE so the high frequency impedance is lower in the PE than the input power leads.
- Provide a good high frequency connection between the motor and the frequency converter.
- Ensure that the impedance from frequency converter to building ground is lower than the grounding impedance of the machine. Make a direct ground connection between the motor and load motor.
- Apply conductive lubrication.
- Balance the line voltage to ground.
- Use an insulated bearing as recommended by the motor manufacturer.

NOTICE

Motors from reputable manufacturers typically have insulated bearings as standard in motors of this size.

If necessary, and after consultation with Danfoss:

- Lower the IGBT switching frequency.
- Modify the inverter waveform, 60° AVM vs. SFAVM.
- Install a shaft grounding system or use an isolating coupling between motor and load.
- Use minimum speed settings if possible.
- Use a dU/dt or sine-wave filter.

4.7 AC Mains Connection

4.7.1 Mains Connection

Connect mains to terminals 91, 92, and 93 on the far left of the unit. Ground is connected to the terminal on the right of terminal 93.

Terminal number	Function
91, 92, 93	Mains R/L1, S/L2, T/L3
94	Ground

Table 4.5 Terminal Functions

Ensure sufficient current supply to the frequency converter.

If the unit is without built-in fuses, ensure that the appropriate fuses have the correct current rating.

4.7.2 External Fan Supply

NOTICE

Applicable for E and F enclosures only.

If the frequency converter is supplied by DC, or the fan must run independently of the supply, use an external supply. Make the connection on the power card.

Terminal number	Function
100, 101	Auxiliary supply S, T
102, 103	Internal supply S, T

Table 4.6 Terminal Functions

The connector on the power card provides the connection of line voltage for the cooling fans. The fans are connected from the factory to be supplied from a common AC line (jumpers between 100–102 and 101–103). If external supply is needed, remove the jumpers and connect the supply to terminals 100 and 101. Protect with a 5 A fuse. In UL applications, use a Littelfuse KLK-5 or equivalent.

4.7.3 Power and Control Wiring for Unscreened Cables

WARNING

INDUCED VOLTAGE

Induced voltage from coupled output motor cables charges equipment capacitors even with the equipment turned off and locked out. Run motor cables from multiple frequency converters separately. Failure to run output cables separately could result in death or serious injury.

CAUTION

COMPROMISED PERFORMANCE

The frequency converter runs less efficiently if wiring is not isolated properly. To isolate high frequency noise, place the following in separate metallic conduits:

- Power wiring
- Motor wiring
- Control wiring

Failure to isolate these connections could result in less than optimum controller and associated equipment performance.

Because the power wiring carries high-frequency electrical pulses, it is important to run input power and motor power in separate conduit. If incoming power wiring is in the same conduit as motor wiring, these pulses can couple

electrical noise back onto the power grid. Isolate control wiring from high-voltage power wiring. See *Illustration 4.4*. When screened/armoured cable is not used, at least 3 separate conduits are connected to the panel options cabinet.

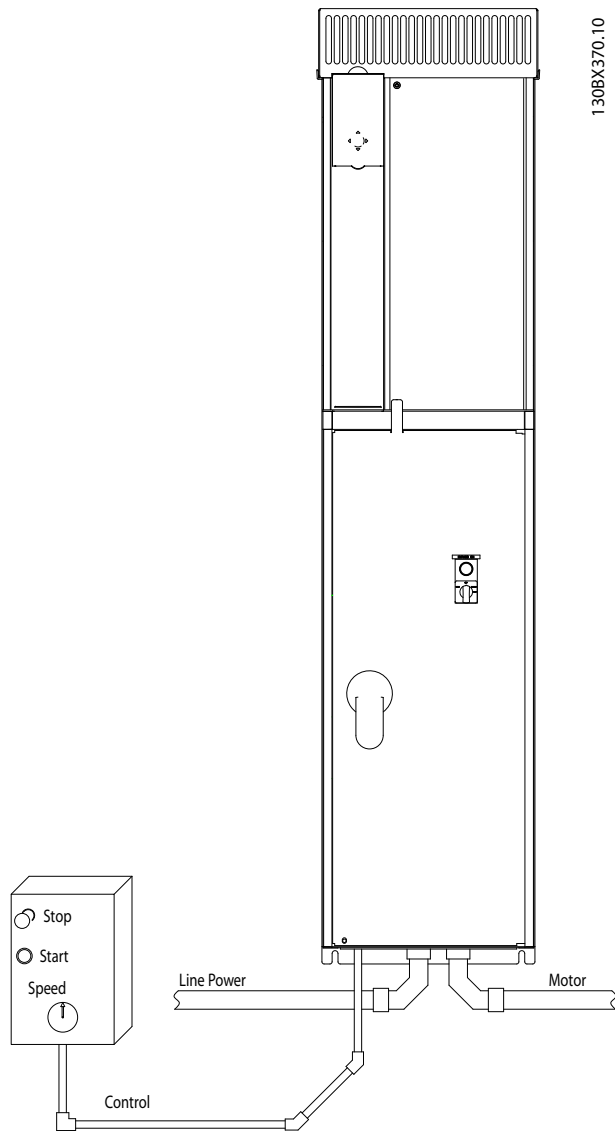


Illustration 4.4 Example of Proper Electrical Installation Using Conduit

4.7.4 Mains Disconnects

Frame size	Power & Voltage	Type
D	160-250 kw 380-480 V	OT400U12-9 or ABB OETL-NF400A
E	315 kW 380-480 V	ABB OETL-NF600A
E	355-450 kW 380-480 V	ABB OETL-NF800A
F	500 kW 380-480 V	Merlin Gerin NPJF36000S12AAYP
F	560-710 kW 380-480 V	Merlin Gerin NRK36000S20AAYP

Table 4.7 Recommended Mains Disconnects

4.7.5 F-Frame Circuit Breakers

Frame size	Power & Voltage	Type
F	500 kW 380-480 V	Merlin Gerin NPJF36120U31AABSCYP
F	560-710kW 380-480 V	Merlin Gerin NRJF36200U31AABSCYP

Table 4.8 Recommended Circuit Breakers

4.7.6 F-Frame Mains Contactors

Frame size	Power & Voltage	Type
F	500-560 kW 380-480 V	Eaton XTCE650N22A
F	630-710 kW380-480 V	Eaton XTCEC14P22B

Table 4.9 Recommended Contactors

4.8 Control Wiring

4.8.1 Control Cable Routing

Tie down all control wires to the designated control cable routing as shown in *Illustration 4.5*, *Illustration 4.6*, *Illustration 4.7*, and *Illustration 4.8*. Remember to connect the shields in a proper way to ensure optimum electrical immunity.

Fieldbus connection

Connections are made to the relevant options on the control card. For details, see the relevant fieldbus instruction. The cable must either be entered through the access point in the top or be placed in the provided path inside the frequency converter and tied down with other control wires (see *Illustration 4.5*, *Illustration 4.6*, and *Illustration 4.7*).

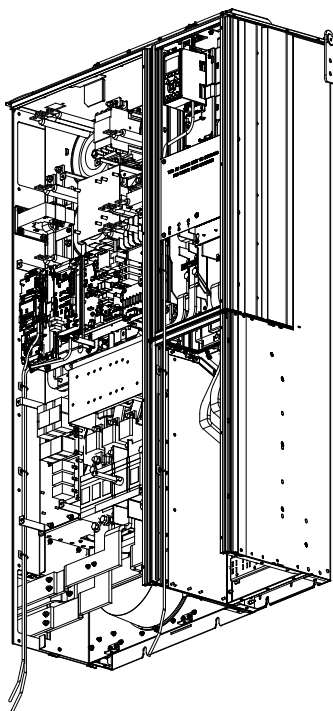


Illustration 4.5 Control Card Wiring Path for Enclosure Size D1n

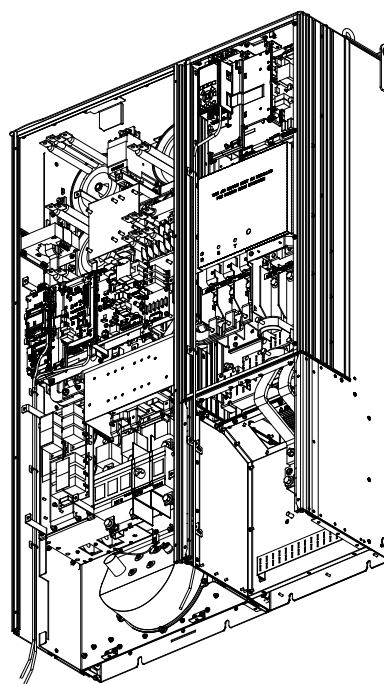


Illustration 4.6 Control Card Wiring Path for Enclosure Size D2n

4

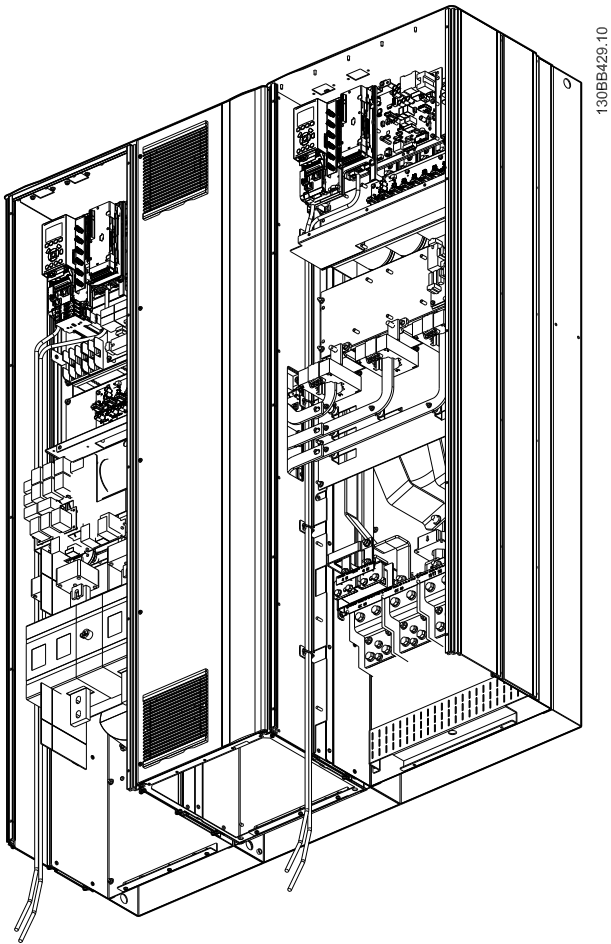
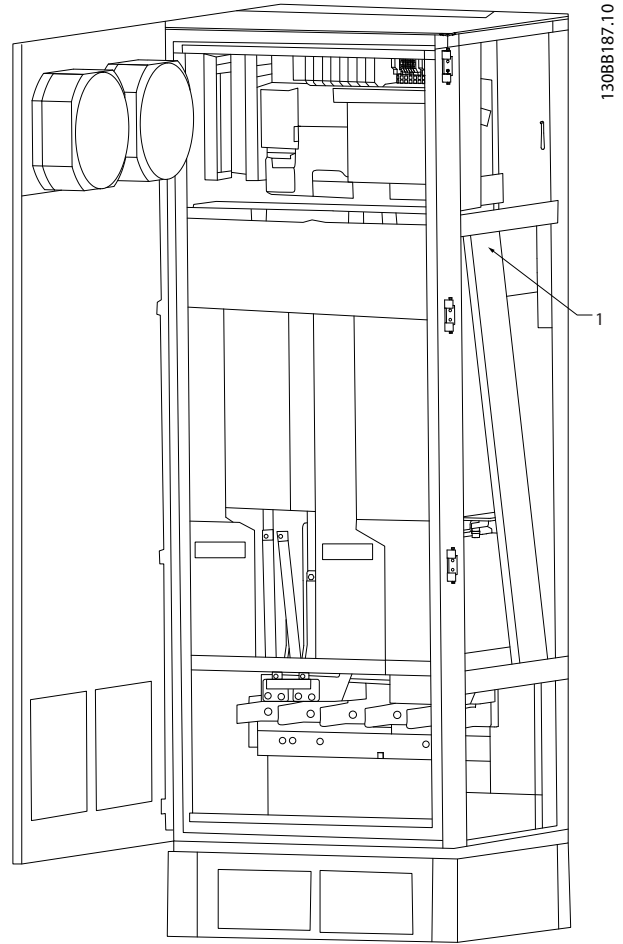


Illustration 4.7 Control Card Wiring Path for Enclosure Size E9



1 Routing path for the control card wiring inside the frequency converter enclosure.

Illustration 4.8 Control Card Wiring Path for Enclosure Size F18

4.8.2 Access to Control Terminals

All terminals for the control cables are located beneath the LCP (both filter and frequency converter LCPs). They are accessed by opening the door of the unit.

4.8.3 Electrical Installation, Control Terminals

To connect the cable to the terminal:

1. Strip insulation by about 9–10 mm.

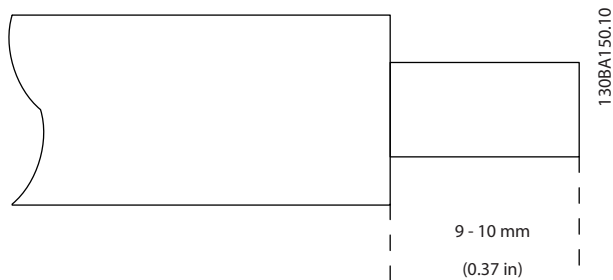


Illustration 4.9 Length to Strip the Insulation

2. Insert a screwdriver (maximum 0.4 x 2.5 mm) in the square hole.
3. Insert the cable in the adjacent circular hole.

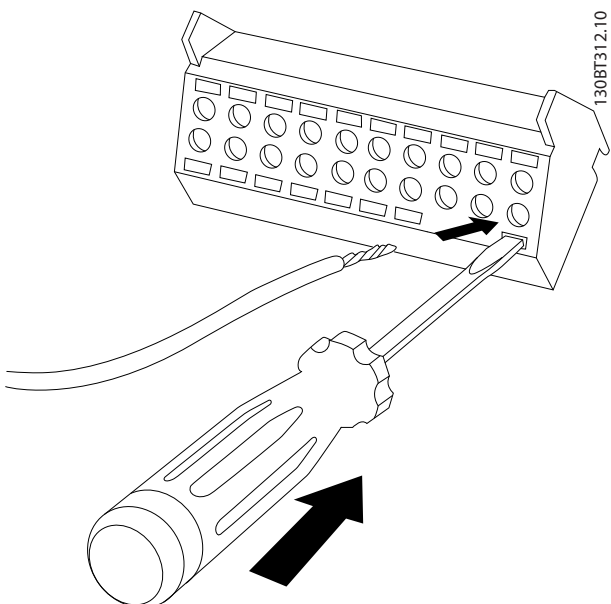


Illustration 4.10 Inserting the Cable in the Terminal Block

4. Remove the screwdriver. The cable is now mounted in the terminal.

To remove the cable from the terminal:

1. Insert a screwdriver (maximum 0.4 x 2.5 mm) in the square hole.
2. Pull out the cable.

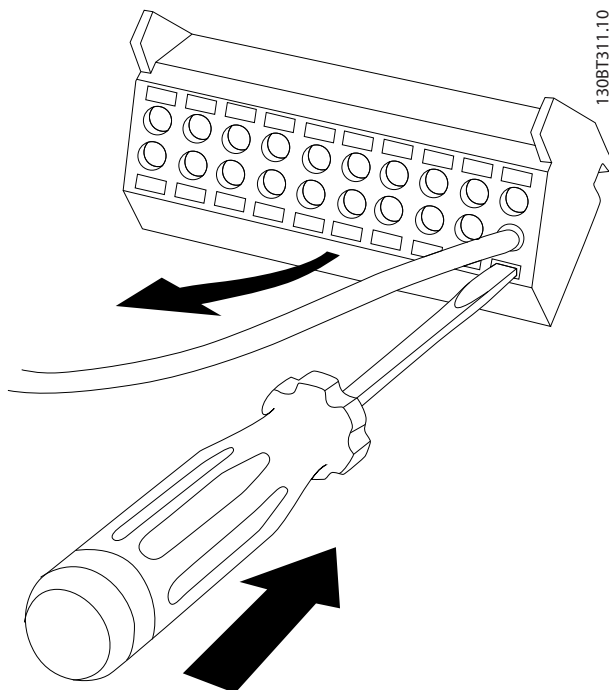


Illustration 4.11 Removing the Screwdriver after Cable Insertion

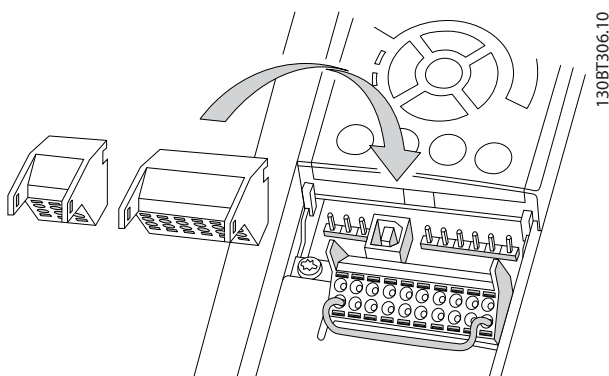
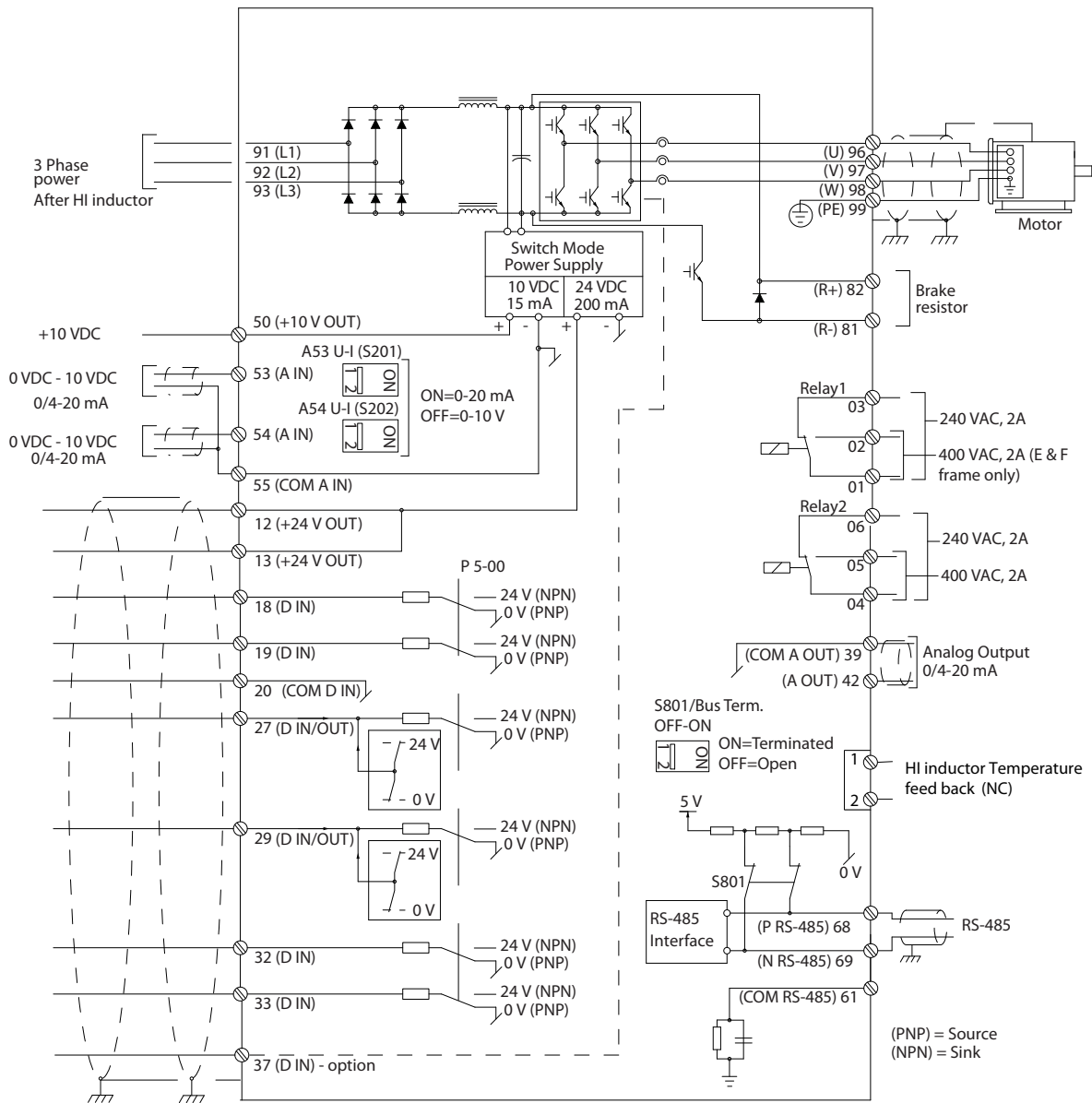


Illustration 4.12 Control Terminal Locations

4.8.4 Electrical Installation, Control Cables

4



130BE195.10

Illustration 4.13 Terminal Diagram for the Frequency Converter Side

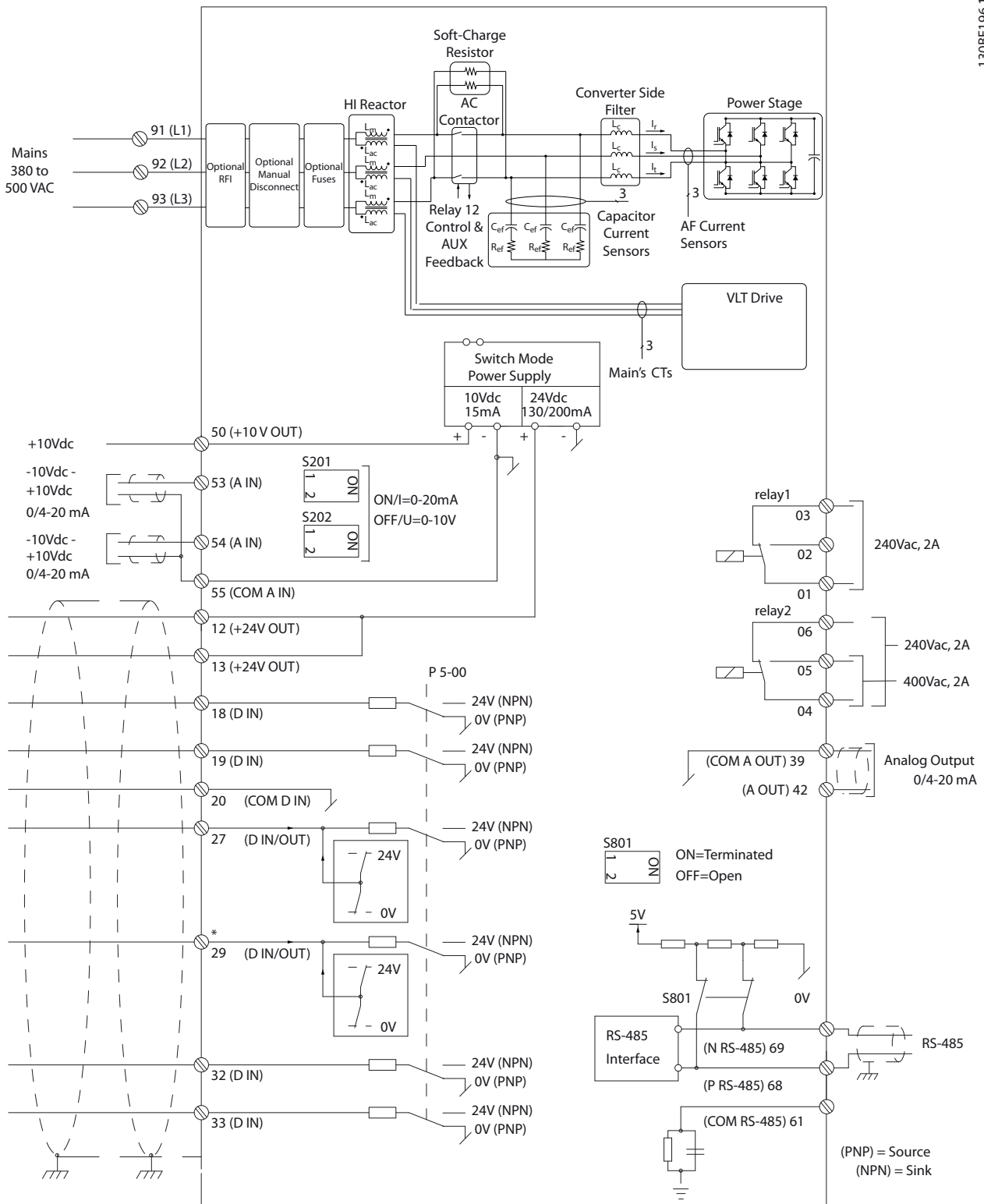


Illustration 4.14 Terminal Diagram for the Filter Side

4.8.5 Safe Torque Off (STO)

To run STO, additional wiring for the frequency converter is required. Refer to *VLT® Frequency Converters Safe Torque Off Operating Instructions* for further information.

4.9 Additional Connections

4.9.1 Serial Communication

RS485 is a 2-wire bus interface compatible with multi-drop network topology, that is nodes can be connected as a bus, or via drop cables from a common trunk line. A total of 32 nodes can be connected to 1 network segment. Repeaters divide networks.

NOTICE

Each repeater functions as a node within the segment in which it is installed. Each node connected within a given network must have a unique node address across all segments.

Terminate each segment at both ends, using either the termination switch (S801) of the frequency converters or a biased termination resistor network. Always use screened twisted pair (STP) cable for bus cabling, and always follow good common installation practice.

Low-impedance ground connection of the screen at every node is important, including at high frequencies. Thus, connect a large surface of the screen to ground, for example with a cable clamp or a conductive cable gland. It may be necessary to apply potential-equalizing cables to maintain the same ground potential throughout the network, particularly in installations with long cables. To prevent impedance mismatch, always use the same type of cable throughout the entire network. When connecting a motor to the frequency converters, always use screened motor cable.

Cable	Screened twisted pair (STP)
Impedance	120 Ω
Cable length	Maximum 1200 (including drop lines)
[m]	Maximum 500 station-to-station

Table 4.10 Cable Recommendations

4.9.2 Mechanical Brake Control

In hoisting/lowering applications, it is necessary to be able to control an electro-mechanical brake:

- Control the brake using any relay output or digital output (terminal 27 or 29).
- Keep the output closed (voltage-free) as long as the frequency converter is unable to support the motor, due to the load being too heavy, for example.
- Select [32] *Mechanical brake control* in parameter group 5-4* *Relays* for applications with an electro-mechanical brake.
- The brake is released when the motor current exceeds the preset value in *parameter 2-20 Release Brake Current*.
- The brake engages when the output frequency is less than the frequency set in *parameter 2-21 Activate Brake Speed [RPM]* or *parameter 2-22 Activate Brake Speed [Hz]*, only if the frequency converter completes a stop command.

If the frequency converter is in alarm mode or in an overvoltage situation, the mechanical brake immediately cuts in.

4.9.3 Parallel Connection of Motors

The frequency converter can control several parallel-connected motors. The total current consumption of the motors must not exceed the rated output current $I_{M,N}$ for the frequency converter.

NOTICE

Installations with cables connected in a common joint as in *Illustration 4.15* are only recommended for short cable lengths.

NOTICE

When motors are connected in parallel, *parameter 1-29 Automatic Motor Adaptation (AMA)* cannot be used.

NOTICE

The electronic thermal relay (ETR) of the frequency converter cannot be used as motor protection for the individual motor in systems with parallel-connected motors. Provide further motor protection with thermistors in each motor or individual thermal relays. Circuit breakers are not suitable as protection.

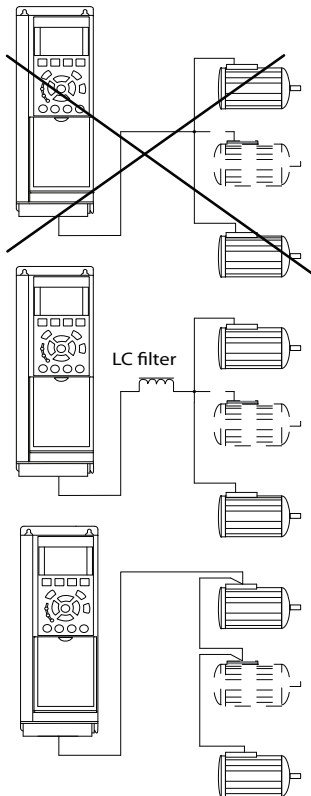


Illustration 4.15 Installations with Cables Connected in a Common Joint

Problems are possible at start and at low RPM values if motor sizes vary widely. The relatively high ohmic resistance in the stator of small motors calls for a higher voltage at start and at low RPM values.

4.9.4 Motor Thermal Protection

The electronic thermal relay in the frequency converter has received UL-approval for single motor protection, when *parameter 1-90 Motor Thermal Protection* is set for [4] ETR Trip 1 and *parameter 1-24 Motor Current* is set to the rated motor current (see motor nameplate).

For the North American market: The ETR functions provide class 20 motor overload protection in accordance with NEC.

For motor thermal protection, it is also possible to use the VLT® PTC Thermistor Card MCB 112. This card provides ATEX certification to protect motors in explosion hazardous areas, Zone 1/21 and Zone 2/22. When *parameter 1-90 Motor Thermal Protection* is set to [20] ATEX ETR and MCB 112 are combined, it is possible to control an Ex-e motor in explosion hazardous areas. Consult the *Programming Guide* for details on how to set up the frequency converter for safe operation of Ex-e motors.

4.9.5 Voltage/Current Input Selection (Switches)

The analog mains terminals 53 and 54 allow setting of input signal to voltage (0–10 V) or current (0/4–20 mA). See *Illustration 4.13* and *Illustration 4.14* for the location of the control terminals within the low harmonic drive.

Default parameter settings:

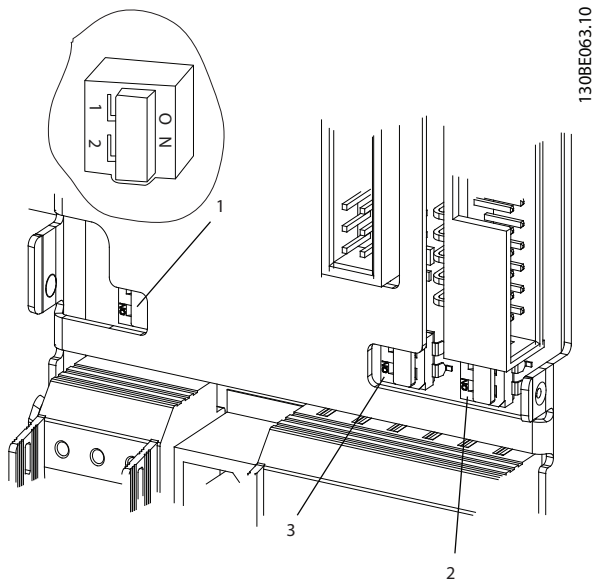
- Terminal 53: Speed reference signal in open loop (see *parameter 16-61 Terminal 53 Switch Setting*).
- Terminal 54: Feedback signal in closed loop (see *parameter 16-63 Terminal 54 Switch Setting*).

NOTICE

REMOVE POWER

Remove power to the low harmonic drive before changing switch positions.

1. Remove the LCP (see *Illustration 4.16*).
2. Remove any optional equipment covering the switches.
3. Set switches A53 and A54 to select the signal type. U selects voltage, I selects current.



130BE063.10

130BT307.10

1	Bus termination switch
2	A54 switch
3	A53 switch

Illustration 4.16 Bus Termination Switch, A53, and A54 Switch Locations

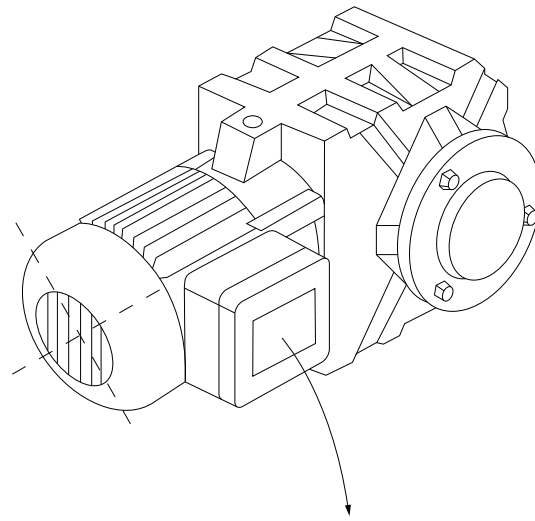
4.10 Final Set-up and Test

Before operating the frequency converter, perform a final test of the installation:

1. Locate the motor name plate to find out whether the motor is star- (Y) or delta- connected (Δ).
2. Enter the motor name plate data in the parameter list. Access the list by pressing the [Quick Menu] key and selecting Q2 Quick Set-up. See Table 4.11.

1.	Parameter 1-20 Motor Power [kW] Parameter 1-21 Motor Power [HP]
2.	Parameter 1-22 Motor Voltage
3.	Parameter 1-23 Motor Frequency
4.	Parameter 1-24 Motor Current
5.	Parameter 1-25 Motor Nominal Speed

Table 4.11 Quick Set-up Parameters



BAUER D-7 3734 ESLINGEN				
3~ MOTOR NR. 1827421 2003				
S/E005A9				
	1,5	KW		
n ₂	31,5	/min.	400	Y V
n ₁	1400	/min.	50	Hz
COS θ	0,80		3,6	A
1,7L				
B	IP 65		H1/1A	

Illustration 4.17 Motor Nameplate

3. Perform an automatic motor adaptation (AMA) to ensure optimum performance.
 - 3a Connect terminal 27 to terminal 12 or set *parameter 5-12 Terminal 27 Digital Input* to [0] No operation.
 - 3b Activate the AMA in *parameter 1-29 Automatic Motor Adaptation (AMA)*.
 - 3c Select either complete or reduced AMA. If an LC filter is mounted, run only the reduced AMA, or remove the LC filter during the AMA procedure.
 - 3d Press [OK]. The display shows *Press [Hand On] to start*.
 - 3e Press [Hand On]. A progress bar indicates whether the AMA is in progress.
 - 3f Press [Off] - the frequency converter enters alarm mode and the display shows that the user terminated AMA.

Stop the AMA during operation

Successful AMA

- The display shows *Press [OK] to finish AMA.*
- Press [OK] to exit the AMA state.

Unsuccessful AMA

- The frequency converter enters into alarm mode. Find a description of the alarm in *chapter 7 Diagnostics and Troubleshooting.*
- Report value in the alarm log shows the last measuring sequence carried out by the AMA before the frequency converter entered alarm mode. This number, along with the description of the alarm, helps with troubleshooting. Mention the number and alarm description when contacting Danfoss service personnel.

Unsuccessful AMA is the result of incorrectly registered motor nameplate data or too large a difference between the motor power size and the frequency converter power size.

Set up the desired limits for speed and ramp time

Minimum reference	<i>Parameter 3-02 Minimum Reference</i>
Maximum reference	<i>Parameter 3-03 Maximum Reference</i>

Table 4.12 Reference Parameters

Motor speed low limit	<i>Parameter 4-11 Motor Speed Low Limit [RPM] or parameter 4-12 Motor Speed Low Limit [Hz]</i>
Motor speed high limit	<i>Parameter 4-13 Motor Speed High Limit [RPM] or parameter 4-14 Motor Speed High Limit [Hz]</i>

Table 4.13 Speed Limits

Ramp-up time 1 [s]	<i>Parameter 3-41 Ramp 1 Ramp Up Time</i>
Ramp-down time 1 [s]	<i>Parameter 3-42 Ramp 1 Ramp Down Time</i>

Table 4.14 Ramp Times

4.11 F-frame Options

Space heaters and thermostat

There are space heaters mounted on the cabinet interior of F-frame frequency converters. These heaters are controlled by an automatic thermostat and help control humidity inside the enclosure. The thermostat default settings turn on the heaters at 10 °C (50 °F) and turn them off at 15.6 °C (60 °F).

Cabinet light with power outlet

A light mounted on the cabinet interior of F-frame frequency converters increases visibility during servicing and maintenance. The housing includes a power outlet for temporarily powering tools or other devices, available in 2 voltages:

- 230 V, 50 Hz, 2.5 A, CE/ENEC
- 120 V, 60 Hz, 5 A, UL/cUL

Transformer tap set-up

If the cabinet light, outlet, and/or the space heaters, and thermostat are installed, transformer T1 requires its taps to be set to the proper input voltage. A 380–480/500 V frequency converter is initially set to the 525 V tap to ensure that no overvoltage of secondary equipment occurs if the tap is not changed before applying power. See *Table 4.15* to set the proper tap at terminal T1 located in the rectifier cabinet.

Input voltage range [V]	Tap to select [V]
380–440	400
441–500	460

Table 4.15 Transformer Tap Set-up

NAMUR terminals

NAMUR is an international association of automation technology users in the process industries, primarily chemical and pharmaceutical industries in Germany. Selecting this option, provides terminals organised and labeled to the specifications of the NAMUR standard for frequency converters input and output terminals. This requires VLT® PTC Thermistor Card MCB 112 and VLT® Extended Relay Card MCB 113.

RCD (residual current device)

Uses the core balance method to monitor ground fault currents in grounded and high-resistance grounded systems (TN and TT systems in IEC terminology). There is a pre-warning (50% of main alarm set-point) and a main alarm set-point. Associated with each set-point is an SPDT alarm relay for external use. Requires an external window-type current transformer (supplied and installed by the customer).

- Integrated into the frequency converter safe torque off circuit.
- IEC 60755 Type B device monitors AC, pulsed DC, and pure DC ground fault currents.
- LED bar graph indicator of the ground fault current level from 10–100% of the setpoint.
- Fault memory.
- TEST/RESET key.

Insulation resistance monitor (IRM)

Monitors the insulation resistance in ungrounded systems (IT systems in IEC terminology) between the system phase conductors and ground. There is an ohmic pre-warning and a main alarm setpoint for the insulation level. An SPDT

alarm relay for external use is associated with each setpoint.

NOTICE

Only 1 insulation resistance monitor can be connected to each ungrounded (IT) system.

- Integrated into the frequency converter Safe Torque Off circuit.
- LCD display of the ohmic value of the insulation resistance.
- Fault memory.
- INFO, TEST, and RESET keys.

IEC emergency stop with Pilz safety relay

Includes a redundant 4-wire emergency-stop push button mounted on the front of the enclosure and a Pilz relay that monitors it in conjunction with the frequency converter STO (Safe Torque Off) circuit and the mains contactor located in the options cabinet.

Manual motor starters

Provide 3-phase power for electric blowers often required for larger motors. Power for the starters is provided from the load side of any supplied contactor, circuit breaker, or disconnect switch. Power is fused before each motor starter, and is off when the incoming power to the frequency converters is off. Up to 2 starters are allowed (1 if a 30 A, fuse-protected circuit is ordered), and are integrated into the frequency converter STO circuit.

Unit features include:

- Operation switch (on/off).
- Short-circuit and overload protection with test function.
- Manual reset function.

30 A, fuse-protected terminals

- 3-phase power matching incoming mains voltage for powering auxiliary customer equipment.
- Not available if 2 manual motor starters are selected.
- Terminals are off when the incoming power to the frequency converter is off.
- Power for the fused protected terminals is provided from the load side of any supplied contactor, circuit breaker, or disconnect switch.

In applications where the motor is used as a brake, energy is generated in the motor and sent back into the frequency converter. If the energy cannot be transported back to the motor, it increases the voltage in the frequency converter DC line. In applications with frequent braking and/or high inertia loads, this increase may lead to an overvoltage trip in the frequency converter and finally a shut down. Brake resistors are used to dissipate the excess energy resulting from the regenerative braking. The resistor is selected based on its ohmic value, its power dissipation

rate, and its physical size. Danfoss offers a wide variety of different resistors that are specifically designed for Danfoss frequency converters.

5 Commissioning

5.1 Safety Instructions

See *chapter 2 Safety* for general safety instructions.

⚠ WARNING

HIGH VOLTAGE

Frequency converters contain high voltage when connected to AC mains input power. Failure to perform installation, start-up, and maintenance by qualified personnel could result in death or serious injury.

- Installation, start-up, and maintenance must be performed by qualified personnel only.

Before applying power:

1. Close the cover properly.
2. Check that all cable glands are firmly tightened.
3. Ensure that input power to the unit is off and locked out. Do not rely on the frequency converter disconnect switches for input power isolation.
4. Verify that there is no voltage on input terminals L1 (91), L2 (92), and L3 (93), phase-to-phase, and phase-to-ground.
5. Verify that there is no voltage on output terminals 96 (U), 97 (V), and 98 (W), phase-to-phase, and phase-to-ground.
6. Confirm continuity of the motor by measuring Ω values on U-V (96–97), V-W (97–98), and W-U (98–96).
7. Check for proper grounding of the frequency converter as well as the motor.
8. Inspect the frequency converter for loose connections on the terminals.
9. Confirm that the supply voltage matches the voltage of the frequency converter and the motor.

5.1.1 Pre-start

CAUTION

Before applying power to the unit, inspect the entire installation as detailed in *Table 5.1*. Check mark those items when completed.

5

Inspect for	Description	<input type="checkbox"/>
Auxiliary equipment	<ul style="list-style-type: none"> Look for auxiliary equipment, switches, disconnects, or input fuses/circuit breakers on the input power side of the frequency converter or output side to the motor. Ensure that they are ready for full speed operation. Check function and installation of any sensors used for feedback to the frequency converter. Remove power factor correction capacitors on motors, if present. 	<input type="checkbox"/>
Cable routing	<ul style="list-style-type: none"> Use separate metallic conduits for each of the following: <ul style="list-style-type: none"> Input power Motor wiring Control wiring 	<input type="checkbox"/>
Control wiring	<ul style="list-style-type: none"> Check for broken or damaged wires and loose connections. Check that control wiring is isolated from power and motor wiring for noise immunity. Check the voltage source of the signals. Use screened or twisted pair cable. Ensure that the screen is terminated correctly. 	<input type="checkbox"/>
Cooling clearance	<ul style="list-style-type: none"> Measure that top and bottom clearance is adequate to ensure proper air flow for cooling. 	<input type="checkbox"/>
EMC considerations	<ul style="list-style-type: none"> Check for proper installation regarding electromagnetic compatibility. 	<input type="checkbox"/>
Environmental considerations	<ul style="list-style-type: none"> See equipment label for the maximum ambient operating temperature limits. Humidity levels must be 5–95%, non-condensing. 	<input type="checkbox"/>
Fusing and circuit breakers	<ul style="list-style-type: none"> Check for proper fusing or circuit breakers. Check that all fuses are inserted firmly and in operational condition, and that all circuit breakers are in the open position. 	<input type="checkbox"/>
Grounding	<ul style="list-style-type: none"> The unit requires a ground wire from its enclosure to the building ground. Check for good ground connections that are tight and free of oxidation. Grounding to conduit or mounting the back panel to a metal surface is not sufficient. 	<input type="checkbox"/>
Input and output power wiring	<ul style="list-style-type: none"> Check for loose connections. Check that motor and mains are in separate conduit or separated screened cables. 	<input type="checkbox"/>
Panel interior	<ul style="list-style-type: none"> Inspect that the unit interior is free of debris and corrosion. 	<input type="checkbox"/>
Switches	<ul style="list-style-type: none"> Ensure that all switch and disconnect settings are in the proper positions. 	<input type="checkbox"/>
Vibration	<ul style="list-style-type: none"> Check that the unit is mounted solidly or that shock mounts are used as necessary. Check for an unusual amount of vibration. 	<input type="checkbox"/>

Table 5.1 Start-up Checklist

5.2 Applying Power

⚠ WARNING

HIGH VOLTAGE!

Frequency converters contain high voltage when connected to AC mains. Installation, start-up, and maintenance should be performed by qualified personnel only. Failure to comply could result in death or serious injury.

⚠ WARNING

UNINTENDED START!

When the frequency converter is connected to AC mains, the motor may start at any time. The frequency converter, motor, and any driven equipment must be in operational readiness. Failure to comply could result in death, serious injury, equipment, or property damage.

1. Confirm that the input voltage is balanced within 3%. If not, correct input voltage imbalance before proceeding.
2. Ensure that optional equipment wiring, if present, matches the installation application.
3. Ensure that all operator devices are off. Panel doors should be closed or cover mounted.
4. Apply power to the unit. Do not start the frequency converter at this time. For units with a disconnect switch, turn the switch on to apply power.

NOTICE

If the status line at the bottom of the LCP reads **AUTO REMOTE COASTING** or **Alarm 60 External Interlock** is displayed, the unit is ready to operate but is missing an input signal on terminal 27.

5.3 Local Control Panel Operation

5.3.1 Local Control Panel

The local control panel (LCP) is the combined display and keypad on the front of the unit. The low harmonic drive includes 2 LCPs: 1 to control the frequency converter side and 1 to control the filter side.

The LCP has several functions:

- Control speed of frequency converter when in local mode.
- Start and stop in local mode.
- Display operational data, status, warnings, and alarms.

- Programme frequency converter and active filter functions.
- Manually reset the frequency converter or active filter after a fault when auto-reset is inactive.

NOTICE

For commissioning via PC, install the VLT® Motion Control Tool MCT 10. The software is available for download (basic version) or for ordering (advanced version, order number 130B1000). For more information and downloads, see www.danfoss.com/BusinessAreas/DrivesSolutions/Software+MCT10/MCT10+Downloads.htm.

5.3.2 LCP Layout

The LCP is divided into 4 functional groups (see *Illustration 5.1*).

- A. Display area
- B. Display menu keys
- C. Navigation keys and indicator lights (LEDs)
- D. Operation keys and reset

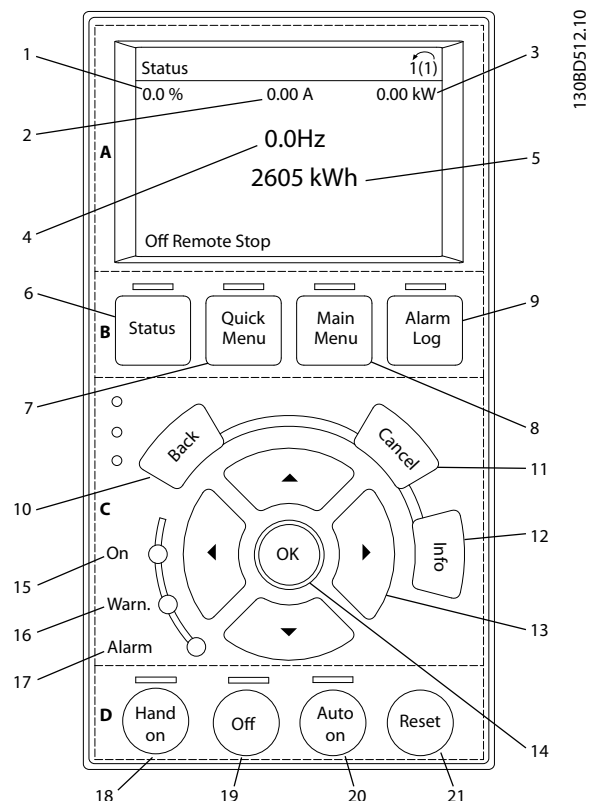


Illustration 5.1 Local Control Panel (LCP)

A. Display area

The display area is activated when the frequency converter receives power from mains voltage, a DC bus terminal, or an external 24 V DC supply.

The information displayed on the LCP can be customised for user application. Select options in the *Quick Menu Q3-13 Display Settings*.

Callout	Display	Parameter number	Default setting
1	1.1	0-20	Reference %
2	1.2	0-21	Motor current
3	1.3	0-22	Power [kW]
4	2	0-23	Frequency
5	3	0-24	kWh counter

Table 5.2 Legend to Illustration 5.1, Display Area (Frequency Converter Side)

B. Display menu keys

Menu keys are used for menu access for parameter set-up, toggling through status display modes during normal operation, and viewing fault log data.

Callout	Key	Function
6	Status	Shows operational information.
7	Quick Menu	Allows access to programming parameters for initial set-up instructions and many detailed application instructions.
8	Main Menu	Allows access to all programming parameters.
9	Alarm Log	Displays a list of current warnings, the last 10 alarms, and the maintenance log.

Table 5.3 Legend to Illustration 5.1, Display Menu Keys

C. Navigation keys and indicator lights (LEDs)

Navigation keys are used for programming functions and moving the display cursor. The navigation keys also provide speed control in local (hand) operation. There are also 3 frequency converter status indicator lights in this area.

Callout	Key	Function
10	Back	Reverts to the previous step or list in the menu structure.
11	Cancel	Cancels the last change or command as long as the display mode has not changed.
12	Info	Press for a definition of the function being displayed.
13	Navigation keys	Press to move between items in the menu.
14	OK	Press to access parameter groups or to enable an option.

Table 5.4 Legend to Illustration 5.1, Navigation Keys

Callout	Indicator	Light	Function
15	ON	Green	The ON light activates when the frequency converter receives power from mains voltage, a DC bus terminal, or an external 24 V supply.
16	WARN	Yellow	When a warning is issued, the yellow WARN light comes on and text appears in the display area identifying the problem.
17	ALARM	Red	A fault condition causes the red alarm light to flash and an alarm text is displayed.

Table 5.5 Legend to Illustration 5.1, Indicator Lights (LEDs)

D. Operation keys and reset

Operation keys are located at the bottom of the LCP.

Callout	Key	Function
18	Hand On	Starts the frequency converter in local control. <ul style="list-style-type: none"> An external stop signal by control input or serial communication overrides the local hand on.
19	Off	Stops the operation but does not remove power to the frequency converter.
20	Auto On	Puts the system in remote operational mode. <ul style="list-style-type: none"> Responds to an external start command by control terminals or serial communication.
21	Reset	Resets the frequency converter or active filter manually after a fault has been cleared.

Table 5.6 Legend to Illustration 5.1, Operation Keys and Reset

NOTICE

The display contrast can be adjusted by pressing [Status] and [▲]/[▼] keys.

5.3.3 Parameter Settings

Establishing the correct programming for applications often requires setting functions in several related parameters. Details for parameters are provided in *chapter 9 Appendix A - Parameters*.

Programming data is stored internally in the frequency converter.

- For back-up, upload data into the LCP memory.
- To download data to another frequency converter, connect the LCP to that unit and download the stored settings.

- Restoring factory default settings does not change data stored in the LCP memory.

5.3.4 Uploading/Downloading Data to/from the LCP

- Press [Off] to stop operation before uploading or downloading data.
- Press [Main Menu] *parameter 0-50 LCP Copy* and press [OK].
- Select [1] *All to LCP* to upload data to the LCP or select [2] *All from LCP* to download data from the LCP.
- Press [OK]. A progress bar shows the uploading or downloading progress.
- Press [Hand On] or [Auto On] to return to normal operation.

5.3.5 Changing Parameter Settings

Access and change parameter settings from the *Quick Menu* or from the *Main Menu*. The *Quick Menu* only gives access to a limited number of parameters.

- Press [Quick Menu] or [Main Menu] on the LCP.
- Press [▲] [▼] to browse through the parameter groups, press [OK] to select a parameter group.
- Press [▲] [▼] to browse through the parameters, press [OK] to select a parameter.
- Press [▲] [▼] to change the value of a parameter setting.
- Press [◀] [▶] to shift digit when a decimal parameter is in the editing state.
- Press [OK] to accept the change.
- Press either [Back] twice to enter *Status*, or press [Main Menu] once to enter the *Main Menu*.

View changes

Quick Menu Q5 - Changes Made lists all parameters changed from default settings.

- The list only shows parameters, which are changed in the current edit set-up.
- Parameters, which were reset to default values, are not listed.
- The message *Empty* indicates that no parameters are changed.

5.3.6 Restoring Default Settings

NOTICE

Risk of losing programming and monitoring records by restoration of default settings. To provide a back-up, upload data to the LCP before initialisation.

Restoring the default parameter settings is done by initialisation of the frequency converter. Initialisation is carried out through *parameter 14-22 Operation Mode* (recommended) or manually.

- Initialisation using *parameter 14-22 Operation Mode* does not reset frequency converter settings, such as operating hours, serial communication selections, personal menu settings, fault log, alarm log, and other monitoring functions.
- Manual initialisation erases all motor, programming, localisation, and monitoring data, and restores factory default settings.

Recommended initialisation procedure, via *parameter 14-22 Operation Mode*

- Press [Main Menu] twice to access parameters.
- Scroll to *parameter 14-22 Operation Mode* and press [OK].
- Scroll to [2] *Initialisation* and press [OK].
- Remove power to the unit and wait for the display to turn off.
- Apply power to the unit.

Default parameter settings are restored during start-up. This may take slightly longer than normal.

- Alarm 80 is displayed.
- Press [Reset] to return to operation mode.

Manual initialisation procedure

- Remove power to the unit and wait for the display to turn off.
- Press and hold [Status], [Main Menu], and [OK] at the same time while applying power to the unit (approximately 5 s or until audible click and fan starts).

Factory default parameter settings are restored during start-up. This may take slightly longer than normal.

Manual initialisation does not reset the following frequency converter information:

- Parameter 15-00 Operating hours*
- Parameter 15-03 Power Up's*
- Parameter 15-04 Over Temp's*
- Parameter 15-05 Over Volt's*

5.4 Basic Programming

5.4.1 VLT® Low Harmonic Drive Programming

The low harmonic drive includes 2 LCPs: 1 to control the frequency converter side and 1 to control the filter side. Because of this unique design, the detailed parameter information for the product is found in 2 places.

Detailed programming information for the frequency converter portion can be found in the relevant *programming guide*. Detailed programming information for the filter can be found in the *VLT® Active Filter AAF 006 Operating Instructions*.

The remaining sections in this chapter apply to the frequency converter side. The active filter of the low harmonic drives is pre-configured for optimal performance and must only be turned on by pressing its [Hand On] key after the frequency converter side is commissioned.

5.4.2 Commissioning with SmartStart

The SmartStart wizard enables fast configuration of basic motor and application parameters.

- SmartStart starts automatically at first power-up or after initialisation of the frequency converter.
- Follow the on-screen instructions to complete the commissioning of the frequency converter. Always reactivate SmartStart by selecting *Quick Menu Q4 - SmartStart*.
- For commissioning without use of the SmartStart wizard, refer to *chapter 5.4.3 Commissioning via [Main Menu]* or the programming guide.

NOTICE

Motor data is required for the SmartStart set-up. The required data is normally available on the motor nameplate.

5.4.3 Commissioning via [Main Menu]

Recommended parameter settings are intended for start-up and check-out purposes. Application settings may vary.

Enter data with power ON, but before operating the frequency converter.

1. Press [Main Menu] on the LCP.
2. Press the navigation keys to scroll to parameter group 0-** *Operation/Display* and press [OK].

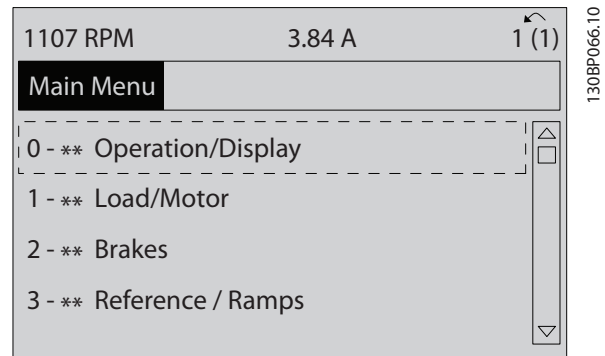


Illustration 5.2 Main Menu

3. Press the navigation keys to scroll to parameter group 0-0* *Basic Settings* and press [OK].

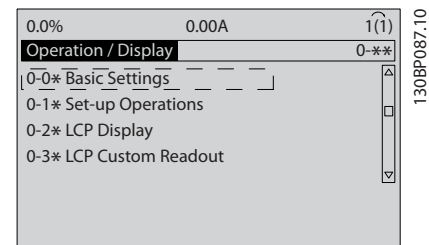


Illustration 5.3 Operation/Display

4. Press the navigation keys to scroll to parameter 0-03 *Regional Settings* and press [OK].

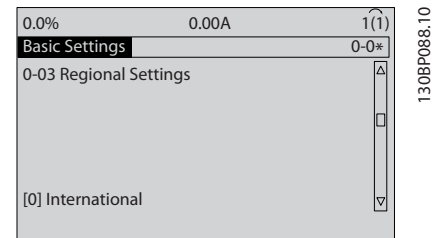


Illustration 5.4 Basic Settings

5. Press the navigation keys to select [0] *International* or [1] *North America* as appropriate and press [OK]. (This changes the default settings for a number of basic parameters).
6. Press [Main Menu] on the LCP.
7. Press the navigation keys to scroll to parameter 0-01 *Language*.
8. Select the language and press [OK].
9. If a jumper wire is in place between control terminals 12 and 27, leave parameter 5-12 *Terminal 27 Digital Input* at factory default. Otherwise, select [0] *No Operation* in parameter 5-12 *Terminal 27 Digital Input*.

10. Make the application-specific settings in the following parameters:
 - 10a *Parameter 3-02 Minimum Reference.*
 - 10b *Parameter 3-03 Maximum Reference.*
 - 10c *Parameter 3-41 Ramp 1 Ramp Up Time.*
 - 10d *Parameter 3-42 Ramp 1 Ramp Down Time.*
 - 10e *Parameter 3-13 Reference Site.* Linked to Hand/Auto Local Remote.

5.4.4 Asynchronous Motor Set-up

Enter the following motor data. The information can be found on the motor nameplate.

1. *Parameter 1-20 Motor Power [kW] or parameter 1-21 Motor Power [HP].*
2. *Parameter 1-22 Motor Voltage.*
3. *Parameter 1-23 Motor Frequency.*
4. *Parameter 1-24 Motor Current.*
5. *Parameter 1-25 Motor Nominal Speed.*

When running in flux control principle, or for optimum performance in VVC⁺ mode, extra motor data is required to set up the following parameters. Find the data in the motor datasheet (this data is typically not available on the motor nameplate). Run a complete AMA using *parameter 1-29 Automatic Motor Adaptation (AMA) [1] Enable Complete AMA* or enter the parameters manually. *Parameter 1-36 Iron Loss Resistance (Rfe)* is always entered manually.

1. *Parameter 1-30 Stator Resistance (Rs).*
2. *Parameter 1-31 Rotor Resistance (Rr).*
3. *Parameter 1-33 Stator Leakage Reactance (X1).*
4. *Parameter 1-34 Rotor Leakage Reactance (X2).*
5. *Parameter 1-35 Main Reactance (Xh).*
6. *Parameter 1-36 Iron Loss Resistance (Rfe).*

Application-specific adjustment when running VVC⁺
 VVC⁺ is the most robust control mode. In most situations, it provides optimum performance without further adjustments. Run a complete AMA for best performance.

Application-specific adjustment when running Flux
 Flux control principle is the preferred control principle for optimum shaft performance in dynamic applications. Perform an AMA since this control mode requires precise motor data. Depending on the application, further adjustments may be required.

See *Table 5.7* for application-related recommendations.

Application	Settings
Low-inertia applications	Keep calculated values.
High-inertia applications	<i>Parameter 1-66 Min. Current at Low Speed.</i> Increase current to a value between default and maximum depending on the application. Set ramp times matching the application. Too fast ramp up causes an overcurrent or overtorque. Too fast ramp down causes an overvoltage trip.
High load at low speed	<i>Parameter 1-66 Min. Current at Low Speed.</i> Increase current to a value between default and maximum depending on the application.
No-load application	Adjust <i>parameter 1-18 Min. Current at No Load</i> to achieve smoother motor operation by reducing torque ripple and vibration.
Flux sensorless control principle only	Adjust <i>parameter 1-53 Model Shift Frequency.</i> Example 1: If the motor oscillates at 5 Hz and dynamics performance is required at 15 Hz, set <i>parameter 1-53 Model Shift Frequency</i> to 10 Hz. Example 2: If the application involves dynamic load changes at low speed, reduce <i>parameter 1-53 Model Shift Frequency.</i> Observe the motor behaviour to make sure that the model shift frequency is not reduced too much. Symptoms of inappropriate model shift frequency are motor oscillations or frequency converter tripping.

Table 5.7 Recommendations for Flux Applications

5.4.5 Permanent Magnet Motor Set-up

NOTICE

Only use permanent magnet (PM) motor with fans and pumps.

Initial programming steps

1. Activate PM motor operation in *parameter 1-10 Motor Construction*, select [1] PM, non-salient SPM.
2. Set *parameter 0-02 Motor Speed Unit* to [0] RPM.

Programming motor data

After selecting *PM motor* in *parameter 1-10 Motor Construction*, the PM motor-related parameters in parameter groups *1-2* Motor Data*, *1-3* Adv. Motor Data*, and *1-4** are active.

Find the necessary data on the motor nameplate and in the motor data sheet.

Program the following parameters in the listed order:

1. *Parameter 1-24 Motor Current.*
2. *Parameter 1-26 Motor Cont. Rated Torque.*
3. *Parameter 1-25 Motor Nominal Speed.*
4. *Parameter 1-39 Motor Poles.*
5. *Parameter 1-30 Stator Resistance (Rs).*
Enter line-to-common stator winding resistance (Rs). If only line-line data are available, divide the line-line value with 2 to achieve the line to common (starpoint) value.
It is also possible to measure the value with an ohmmeter, which takes the resistance of the cable into account. Divide the measured value by 2 and enter the result.
6. *Parameter 1-37 d-axis Inductance (Ld).*
Enter line-to-common direct axis inductance of the PM motor.
If only line-line data are available, divide the line-line value with 2 to achieve the line-common (starpoint) value.
It is also possible to measure the value with an inductancemeter, which takes the inductance of the cable into account. Divide the measured value by 2 and enter the result.
7. *Parameter 1-40 Back EMF at 1000 RPM*
Enter line-line back EMF of PM Motor at 1000 RPM mechanical speed (RMS value). Back EMF is the voltage generated by a PM motor when no frequency converter is connected and the shaft is turned externally. Back EMF is normally specified for nominal motor speed or for 1000 RPM measured between 2 lines. If the value is not available for a motor speed of 1000 RPM, calculate the correct value as follows: If back EMF is for example 320 V at 1800 RPM, it can be calculated at 1000 RPM as follows: Back EMF = (Voltage/RPM)x1000 = (320/1800)x1000 = 178. Program this value for *parameter 1-40 Back EMF at 1000 RPM.*

Test motor operation

1. Start the motor at low speed (100–200 RPM). If the motor does not turn, check installation, general programming, and motor data.
2. Check if start function in *parameter 1-70 PM Start Mode* fits the application requirements.

Rotor detection

This function is the recommended choice for applications where the motor starts from standstill, for example pumps or conveyors. On some motors, a sound is heard when the impulse is sent out. This does not harm the motor.

Parking

This function is the recommended choice for applications where the motor is rotating at slow speed for example windmilling in fan applications. *Parameter 2-06 Parking Current* and *parameter 2-07 Parking Time* can be adjusted. Increase the factory setting of these parameters for applications with high inertia.

Start the motor at nominal speed. If the application does not run well, check the VVC+ PM settings. *Table 5.7* shows recommendations in different applications.

Application	Settings
Low-inertia applications $I_{Load}/I_{Motor} < 5$	Increase <i>parameter 1-17 Voltage filter time const.</i> by factor 5–10 Reduce <i>parameter 1-14 Damping Gain.</i> Reduce <i>parameter 1-66 Min. Current at Low Speed (<100%).</i>
Low-inertia applications $50 > I_{Load}/I_{Motor} > 5$	Keep the calculated values.
High-inertia applications $I_{Load}/I_{Motor} > 50$	Increase <i>parameter 1-14 Damping Gain</i> , <i>parameter 1-15 Low Speed Filter Time Const.</i> , and <i>parameter 1-16 High Speed Filter Time Const..</i>
High load at low speed <30% (rated speed)	Increase <i>parameter 1-17 Voltage filter time const..</i> Increase <i>parameter 1-66 Min. Current at Low Speed (>100% for a prolonged time can overheat the motor).</i>

Table 5.8 Recommendations in Different Applications

If the motor starts oscillating at a certain speed, increase *parameter 1-14 Damping Gain*. Increase the value in small steps. Depending on the motor, a good value for this parameter can be 10% or 100% higher than the default value.

Adjust starting torque in *parameter 1-66 Min. Current at Low Speed*. 100% provides nominal torque as starting torque.

5.4.6 Automatic Energy Optimisation (AEO)

NOTICE

AEO is not relevant for permanent magnet motors.

AEO is a procedure which minimises voltage to the motor, thereby reducing energy consumption, heat, and noise.

To activate AEO, set *parameter 1-03 Torque Characteristics* to [2] *Auto Energy Optim. CT* or [3] *Auto Energy Optim. VT*.

5.4.7 Automatic Motor Adaptation (AMA)

AMA is a procedure which optimises compatibility between the frequency converter and the motor.

- The frequency converter builds a mathematical model of the motor for regulating output motor current. The procedure also tests the input phase balance of electrical power. It compares the motor characteristics with the entered nameplate data.
- The motor shaft does not turn and no harm is done to the motor while running the AMA.
- Some motors may be unable to run the complete version of the test. In that case, select [2] *Enable reduced AMA*.
- If an output filter is connected to the motor, select [2] *Enable reduced AMA*.
- If warnings or alarms occur, see *chapter 7 Diagnostics and Troubleshooting*.
- Run this procedure on a cold motor for best results.

To run AMA

1. Press [Main Menu] to access parameters.
2. Scroll to parameter group 1-** *Load and Motor* and press [OK].
3. Scroll to parameter group 1-2* *Motor Data* and press [OK].
4. Scroll to *parameter 1-29 Automatic Motor Adaptation (AMA)* and press [OK].
5. Select [1] *Enable complete AMA* and press [OK].
6. Follow the on-screen instructions.
7. The test runs automatically and indicates when it is complete.
8. The advanced motor data is entered in parameter group 1-3* *Adv. Motor Data*.

5.5 Checking Motor Rotation

NOTICE

Risk of damage to pumps/compressors caused by motor running in wrong direction. Before running the frequency converter, check the motor rotation.

The motor runs briefly at 5 Hz or the minimum frequency set in *parameter 4-12 Motor Speed Low Limit [Hz]*.

1. Press [Main Menu].
2. Scroll to *parameter 1-28 Motor Rotation Check* and press [OK].
3. Scroll to [1] *Enable*.

The following text appears: *Note! Motor may run in wrong direction.*

4. Press [OK].
5. Follow the on-screen instructions.

NOTICE

To change the direction of rotation, remove power to the frequency converter and wait for power to discharge. Reverse the connection of any 2 of the 3 motor wires on the motor or frequency converter side of the connection.

5

5.6 Local-control Test

1. Press [Hand On] to provide a local start command to the frequency converter.
2. Accelerate the frequency converter by pressing [▲] to full speed. Moving the cursor left of the decimal point provides quicker input changes.
3. Note any acceleration problems.
4. Press [Off]. Note any deceleration problems.

In the event of acceleration or deceleration problems, see . See *chapter 7.3 Warning and Alarm Definitions for Frequency Converter* for resetting the frequency converter after a trip.

5.7 System Start-up

The procedure in this section requires wiring and application programming to be completed. The following procedure is recommended after application set-up is completed.

1. Press [Auto On].
2. Apply an external run command.
3. Adjust the speed reference throughout the speed range.
4. Remove the external run command.
5. Check the sound and vibration levels of the motor to ensure that the system is working as intended.

If warnings or alarms occur, see *chapter 7.3 Warning and Alarm Definitions for Frequency Converter* or *chapter 7.4 Warnings and Alarm Definitions - Active Filter*.

6 Application Examples

6.1 Introduction

The examples in this section are intended as a quick reference for common applications.

- Parameter settings are the regional default values unless otherwise indicated (selected in *parameter 0-03 Regional Settings*).
- Parameters associated with the terminals and their settings are shown next to the drawings.
- Required switch settings for analog terminals A53 or A54 are also shown.

NOTICE

When using the optional STO feature, a jumper wire may be required between terminal 12 (or 13) and terminal 37 for the frequency converter to operate with factory default programming values.

NOTICE

The following examples refer only to the frequency converter control card (right LCP), *not* the filter.

6

		Parameters	
FC		Function	Setting
+24 V	12	Parameter 6-12 Terminal 53 Low Current	4 mA*
+24 V	13		
D IN	18	Parameter 6-13 Terminal 53 High Current	20 mA*
D IN	19		
COM	20	Parameter 6-14 Terminal 53 Low Ref./Feedb. Value	0 Hz
D IN	27		
D IN	29	Parameter 6-15 Terminal 53 High Ref./Feedb. Value	50 Hz
D IN	32		
D IN	33	* = Default value	
D IN	37	Notes/comments: D IN 37 is an option.	
+10 V	50		
A IN	53		
A IN	54		
COM	55		
A OUT	42		
COM	39		

Table 6.2 Analog Speed Reference (Current)

6.2 Application Examples

6.2.1 Speed

		Parameters	
FC		Function	Setting
+24 V	12	Parameter 6-10 Terminal 53 Low Voltage	0.07 V*
+24 V	13		
D IN	18	Parameter 6-11 Terminal 53 High Voltage	10 V*
D IN	19		
COM	20	Parameter 6-14 Terminal 53 Low Ref./Feedb. Value	0 Hz
D IN	27		
D IN	29	Parameter 6-15 Terminal 53 High Ref./Feedb. Value	50 Hz
D IN	32		
D IN	33	* = Default value	
D IN	37	Notes/comments: D IN 37 is an option.	
+10 V	50		
A IN	53		
A IN	54		
COM	55		
A OUT	42		
COM	39		

Table 6.1 Analog Speed Reference (Voltage)

		Parameters	
FC		Function	Setting
+24 V	12	Parameter 6-10 Terminal 53 Low Voltage	0.07 V*
+24 V	13		
D IN	18	Parameter 6-11 Terminal 53 High Voltage	10 V*
D IN	19		
COM	20	Parameter 6-14 Terminal 53 Low Ref./Feedb. Value	0 Hz
D IN	27		
D IN	29	Parameter 6-15 Terminal 53 High Ref./Feedb. Value	1500 Hz
D IN	32		
D IN	33	* = Default value	
D IN	37	Notes/comments: D IN 37 is an option.	
+10 V	50		
A IN	53		
A IN	54		
COM	55		
A OUT	42		
COM	39		

Table 6.3 Speed Reference (Using a Manual Potentiometer)

		Parameters	
FC		Function	Setting
+24 V	12	Parameter 5-10 Terminal 18 Digital Input	[8] Start*
+24 V	13		
D IN	18	Parameter 5-12 Terminal 27 Digital Input	[19] Freeze Reference
D IN	19		
COM	20	Parameter 5-13 Terminal 29 Digital Input	[21] Speed Up
D IN	27		
D IN	29	Parameter 5-14 Terminal 32 Digital Input	[22] Speed Down
D IN	32		
D IN	33	* = Default value	
D IN	37	Notes/comments: D IN 37 is an option.	
+10 V	50		
A IN	53		
A IN	54		
COM	55		
A OUT	42		
COM	39		

Table 6.4 Speed Up/Down

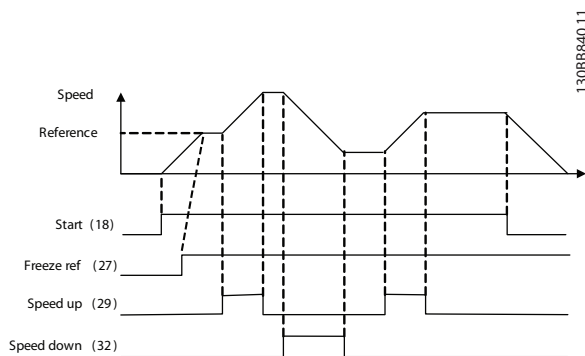


Illustration 6.1 Speed Up/Down

6.2.2 Start/Stop

		Parameters	
FC		Function	Setting
+24 V	12	Parameter 5-10 Terminal 18 Digital Input	[8] Start
+24 V	13		
D IN	18	Parameter 5-12 Terminal 27 Digital Input	[0] No operation
D IN	19		
COM	20	Parameter 5-19 Terminal 37 Safe Stop	[1] Safe Stop Alarm
D IN	27		
D IN	29	* = Default value	
D IN	32	Notes/comments: If parameter 5-12 Terminal 27 Digital Input is set to [0] No operation, a jumper wire to terminal 27 is not needed. D IN 37 is an option.	
D IN	33		
D IN	37		
+10	50		
A IN	53		
A IN	54		
COM	55		
A OUT	42		
COM	39		

Table 6.5 Start/Stop Command with Safe Stop Option

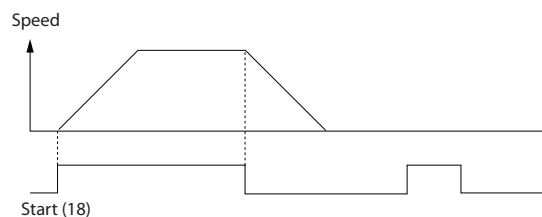


Illustration 6.2 Start/Stop Command with Safe Stop

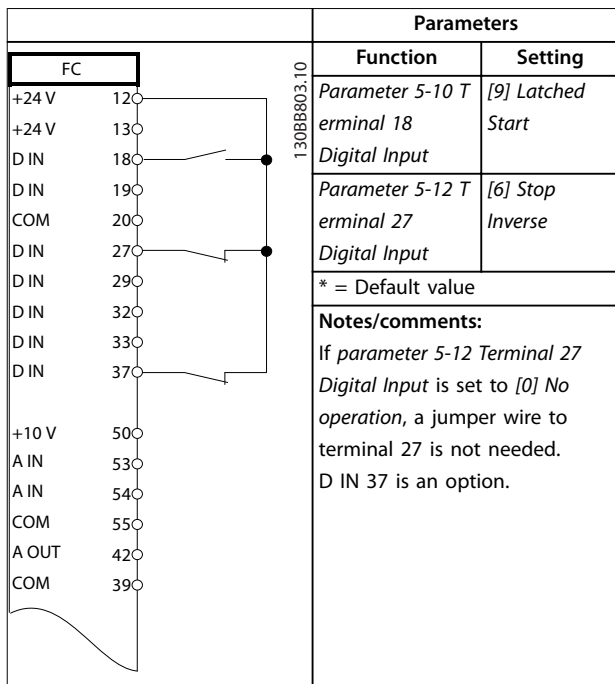


Table 6.6 Pulse Start/Stop

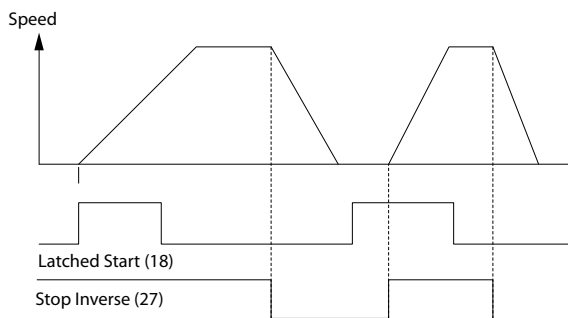


Illustration 6.3 Latched Start/Stop Inverse

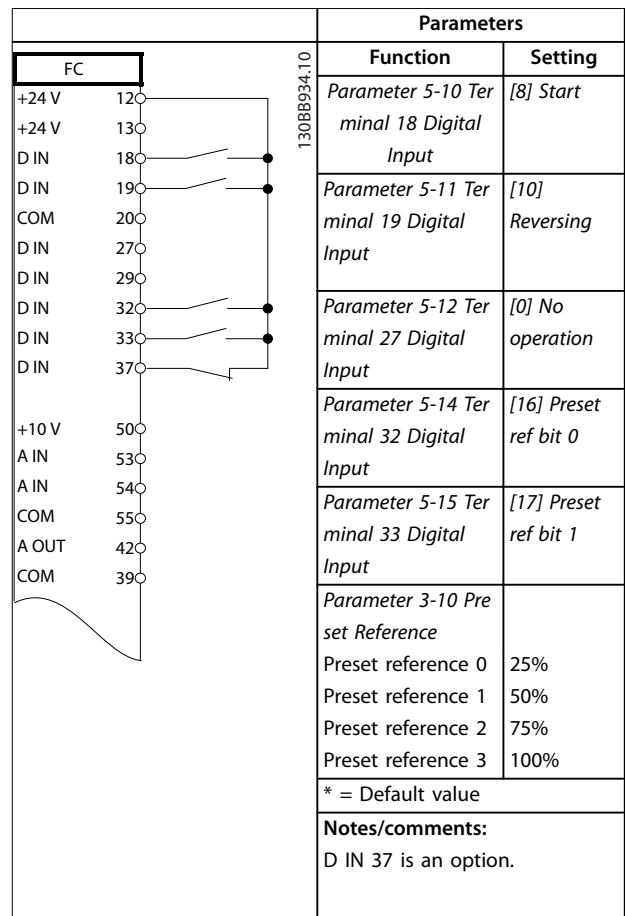


Table 6.7 Start/Stop with Reversing and 4 Preset Speeds

6.2.3 External Alarm Reset

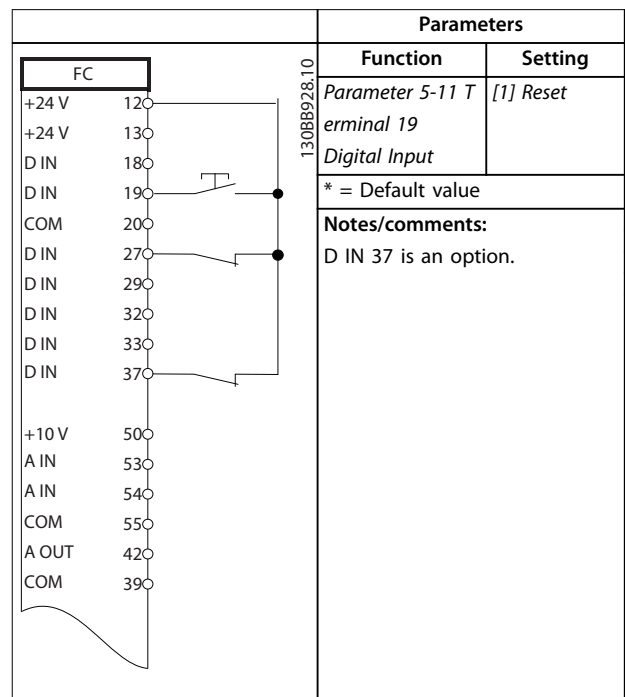


Table 6.8 External Alarm Reset

6.2.4 RS485

		Parameters	
		Function	Setting
		Parameter 8-30 Protocol	FC*
		Parameter 8-31 Address	1*
		Parameter 8-32 Baud Rate	9600*
		* = Default value	
Notes/comments:		Select protocol, address, and baud rate in the above-mentioned parameters. D IN 37 is an option.	

Table 6.9 RS485 Network Connection

6.2.5 Motor Thermistor

WARNING

THERMISTOR INSULATION

Risk of personal injury or equipment damage.

- Use only thermistors with reinforced or double insulation to meet PELV insulation requirements.

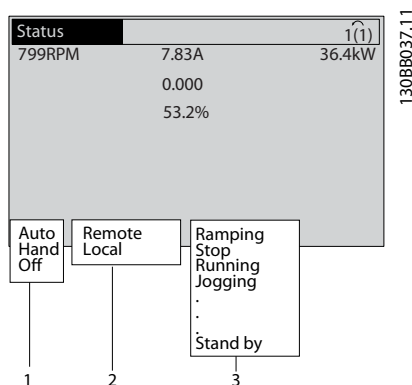
		Parameters	
		Function	Setting
		Parameter 1-90 Motor Thermal Protection	[2] Thermistor trip
		Parameter 1-93 Thermistor Source	[1] Analog input 53
		* = Default Value	
		Notes/comments:	

Table 6.10 Motor Thermistor

7 Diagnostics and Troubleshooting

7.1 Status Messages

When the frequency converter is in *Status* mode, status messages are generated automatically and appear in the bottom line of the display (see *Illustration 7.1*). Refer to the *VLT® Refrigeration Drive FC 103 Programming Guide* for detailed descriptions of the displayed status messages.



1	Operation mode
2	Reference site
3	Operation status

Illustration 7.1 Status Display

7.2 Warning and Alarm Types

The frequency converter monitors the condition of its input power, output, and motor factors, as well as other system performance indicators. A warning or alarm does not necessarily indicate a problem internally in the frequency converter. In many cases, it indicates failure conditions from:

- Input voltage.
- Motor load.
- Motor temperature.
- External signals.
- Other areas monitored by internal logic.

Investigate as indicated in the alarm or warning.

7.2.1 Warnings

A warning is issued when an alarm condition is impending or when an abnormal operating condition is present and may result in the frequency converter issuing an alarm. A warning clears by itself when the abnormal condition is removed.

7.2.2 Alarm Trip

An alarm is issued when the frequency converter is tripped, that is, the frequency converter suspends operation to prevent frequency converter or system damage. The motor coasts to a stop, if the alarm trip is on the frequency converter side. The frequency converter logic continues to operate and monitors the frequency converter status. After the fault condition is remedied, reset the frequency converter. It is then ready to restart operation.

A trip can be reset in any of 4 ways:

- Press [Reset] on the LCP.
- Digital reset input command.
- Serial communication reset input command.
- Auto reset.

7.2.3 Alarm Trip-lock

An alarm that causes the frequency converter to trip-lock requires that input power is cycled. If the alarm trip is on the frequency converter side, the motor coasts to a stop. The frequency converter logic continues to operate and monitors the frequency converter status. Remove input power to the frequency converter and correct the cause of the fault, then restore power. This action puts the frequency converter into a trip condition as described in *chapter 7.2.2 Alarm Trip* and may be reset in any of the 4 ways.

7.3 Warning and Alarm Definitions for Frequency Converter

The following warning/alarm information defines each warning/alarm condition, provides the probable cause for the condition, and details a remedy or troubleshooting procedure.

WARNING 1, 10 Volts low

The control card voltage is <10 V from terminal 50. Remove some of the load from terminal 50, as the 10 V supply is overloaded. Maximum 15 mA or minimum 590 Ω.

A short circuit in a connected potentiometer or incorrect wiring of the potentiometer can cause this condition.

Troubleshooting

- Remove the wiring from terminal 50. If the warning clears, the problem is with the wiring. If the warning does not clear, replace the control card.

WARNING/ALARM 2, Live zero error

This warning or alarm only appears if programmed in *parameter 6-01 Live Zero Timeout Function*. The signal on 1 of the analog inputs is less than 50% of the minimum value programmed for that input. Broken wiring or a faulty device sending the signal can cause this condition.

Troubleshooting

- Check the connections on all the analog mains terminals.
 - Control card terminals 53 and 54 for signals, terminal 55 common.
 - VLT® General Purpose I/O MCB 101 terminals 11 and 12 for signals, terminal 10 common.
 - VLT® Analog I/O Option MCB 109 terminals 1, 3, and 5 for signals, terminals 2, 4, and 6 common.
- Check that the frequency converter programming and switch settings match the analog signal type.
- Perform an input terminal signal test.

WARNING/ALARM 3, No motor

No motor has been connected to the output of the frequency converter.

WARNING/ALARM 4, Mains phase loss

A phase is missing on the supply side, or the mains voltage imbalance is too high. This message also appears for a fault in the input rectifier on the frequency converter. Options are programmed in *parameter 14-12 Function at Mains Imbalance*.

Troubleshooting

- Check the supply voltage and supply currents to the frequency converter.

WARNING 5, DC link voltage high

The DC-link voltage (DC) is higher than the high-voltage warning limit. The limit depends on the frequency converter voltage rating. The unit is still active.

WARNING 6, DC link voltage low

The DC-link voltage (DC) is lower than the low-voltage warning limit. The limit depends on the frequency converter voltage rating. The unit is still active.

WARNING/ALARM 7, DC overvoltage

If the DC-link voltage exceeds the limit, the frequency converter trips after a time.

Troubleshooting

- Connect a brake resistor.
- Extend the ramp time.
- Change the ramp type.
- Activate the functions in *parameter 2-10 Brake Function*.

- Increase *parameter 14-26 Trip Delay at Inverter Fault*.
- If the alarm/warning occurs during a power sag, use kinetic back-up (*parameter 14-10 Mains Failure*).

WARNING/ALARM 8, DC under voltage

If the DC-link voltage drops below the undervoltage limit, the frequency converter checks if a 24 V DC back-up supply is connected. If no 24 V DC back-up supply is connected, the frequency converter trips after a fixed time delay. The time delay varies with unit size.

Troubleshooting

- Check that the supply voltage matches the frequency converter voltage.
- Perform an input voltage test.
- Perform a soft charge circuit test.

WARNING/ALARM 9, Inverter overload

The frequency converter has run with more than 100% overload for too long and is about to cut out. The counter for electronic thermal inverter protection issues a warning at 98% and trips at 100%, while giving an alarm. The frequency converter cannot be reset until the counter is below 90%.

Troubleshooting

- Compare the output current shown on the LCP with the frequency converter rated current.
- Compare the output current shown on the LCP with the measured motor current.
- Show the thermal frequency converter load on the LCP and monitor the value. When running above the frequency converter continuous current rating, the counter increases. When running below the frequency converter continuous current rating, the counter decreases.

WARNING/ALARM 10, Motor overload temperature

According to the electronic thermal protection (ETR), the motor is too hot. Select whether the frequency converter issues a warning or an alarm when the counter reaches 100% in *parameter 1-90 Motor Thermal Protection*. The fault occurs when the motor runs with more than 100% overload for too long.

Troubleshooting

- Check for motor overheating.
- Check if the motor is mechanically overloaded.
- Check that the motor current set in *parameter 1-24 Motor Current* is correct.
- Ensure that the motor data in *parameters 1-20 to 1-25* are set correctly.
- If an external fan is in use, check that it is selected in *parameter 1-91 Motor External Fan*.

- Running AMA in *parameter 1-29 Automatic Motor Adaptation (AMA)* tunes the frequency converter to the motor more accurately and reduces thermal loading.

WARNING/ALARM 11, Motor thermistor overtemp

The thermistor may be disconnected. Select whether the frequency converter issues a warning or an alarm in *parameter 1-90 Motor Thermal Protection*.

Troubleshooting

- Check for motor overheating.
- Check if the motor is mechanically overloaded.
- Check that the thermistor is connected correctly between either terminal 53 or 54 (analog voltage input) and terminal 50 (+10 V supply). Also check that the terminal switch for 53 or 54 is set for voltage. Check that *parameter 1-93 Thermistor Resource* is set to terminal 53 or 54.
- When using digital inputs 18 or 19, check that the thermistor is connected correctly between either terminal 18 or 19 (digital input PNP only) and terminal 50.
- If a KTY sensor is used, check for correct connection between terminals 54 and 55.
- If using a thermal switch or thermistor, check that the programming of *parameter 1-93 Thermistor Resource* matches sensor wiring.
- If using a KTY sensor, check the programming of *parameter 1-95 KTY Sensor Type*, *parameter 1-96 KTY Thermistor Resource*, and *parameter 1-97 KTY Threshold level* match sensor wiring.

WARNING/ALARM 12, Torque limit

The torque has exceeded the value in *parameter 4-16 Torque Limit Motor Mode* or the value in *parameter 4-17 Torque Limit Generator Mode*. *Parameter 14-25 Trip Delay at Torque Limit* can change this warning from a warning-only condition to a warning followed by an alarm.

Troubleshooting

- If the motor torque limit is exceeded during ramp-up, extend the ramp-up time.
- If the generator torque limit is exceeded during ramp-down, extend the ramp-down time.
- If torque limit occurs while running, increase the torque limit. Make sure that the system can operate safely at a higher torque.
- Check the application for excessive current draw on the motor.

WARNING/ALARM 13, Over current

The inverter peak current limit (approximately 200% of the rated current) is exceeded. The warning lasts approximately 1.5 s, then the frequency converter trips and issues an

alarm. Shock loading or quick acceleration with high-inertia loads can cause this fault. If the acceleration during ramp-up is quick, the fault can also appear after kinetic back-up. If extended mechanical brake control is selected, a trip can be reset externally.

Troubleshooting

- Remove the power and check if the motor shaft can be turned.
- Check that the motor size matches the frequency converter.
- Check that the motor data is correct in *parameters 1-20 to 1-25*.

ALARM 14, Earth (ground) fault

There is current from the output phases to ground, either in the cable between the frequency converter and the motor, or in the motor itself.

Troubleshooting

- Remove the power to the frequency converter and repair the ground fault.
- Check for ground faults in the motor by measuring the resistance to the ground of the motor cables and the motor with a megohmmeter.
- Perform a current sensor test.

ALARM 15, Hardware mismatch

A fitted option is not operational with the present control board hardware or software.

Record the value of the following parameters and contact Danfoss:

- *Parameter 15-40 FC Type*.
- *Parameter 15-41 Power Section*.
- *Parameter 15-42 Voltage*.
- *Parameter 15-43 Software Version*.
- *Parameter 15-45 Actual Typecode String*.
- *Parameter 15-49 SW ID Control Card*.
- *Parameter 15-50 SW ID Power Card*.
- *Parameter 15-60 Option Mounted*.
- *Parameter 15-61 Option SW Version* (for each option slot).

ALARM 16, Short circuit

There is short-circuiting in the motor or motor wiring.

Troubleshooting

- Remove the power to the frequency converter and repair the short circuit.

WARNING/ALARM 17, Control word timeout

There is no communication with the frequency converter. The warning is only active when *parameter 8-04 Control Word Timeout Function* is not set to [0] Off.

If *parameter 8-04 Control Word Timeout Function* is set to [2] *Stop* and [26] *Trip*, a warning appears and the frequency converter ramps down until it trips and then displays an alarm.

Troubleshooting

- Check the connections on the serial communication cable.
- Increase *parameter 8-03 Control Word Timeout Time*
- Check the operation of the communication equipment.
- Verify a proper installation based on EMC requirements.

WARNING/ALARM 22, Hoist mechanical brake

Report value shows what kind it is.

0 = The torque reference was not reached before timeout (*parameter 2-27 Torque Ramp Up Time*).

1 = Expected brake feedback not received before timeout (*parameter 2-23 Activate Brake Delay, parameter 2-25 Brake Release Time*).

WARNING 23, Internal fan fault

The fan warning function is an extra protective function that checks if the fan is running/mounted. The fan warning can be disabled in *parameter 14-53 Fan Monitor ([0] Disabled)*.

Troubleshooting

- Check the fan resistance.
- Check the soft charge fuses.

WARNING 24, External fan fault

The fan warning function is an extra protective function that checks if the fan is running/mounted. The fan warning can be disabled in *parameter 14-53 Fan Monitor ([0] Disabled)*.

Troubleshooting

- Check the fan resistance.
- Check the soft charge fuses.

WARNING 25, Brake resistor short circuit

The brake resistor is monitored during operation. If a short circuit occurs, the brake function is disabled and the warning appears. The frequency converter is still operational, but without the brake function.

Troubleshooting

- Remove the power to the frequency converter and replace the brake resistor (see *parameter 2-15 Brake Check*).

WARNING/ALARM 26, Brake resistor power limit

The power transmitted to the brake resistor is calculated as a mean value over the last 120 s of run time. The calculation is based on the intermediate circuit voltage and the brake resistance value set in *parameter 2-16 AC brake Max. Current*. The warning is active when the dissipated braking is >90% of the brake resistance power. If [2] *Trip* is

selected in *parameter 2-13 Brake Power Monitoring*, the frequency converter trips when the dissipated braking power reaches 100%.

WARNING

If the brake transistor is short-circuited, there is a risk of substantial power being transmitted to the brake resistor.

WARNING/ALARM 27, Brake chopper fault

This alarm/warning could occur if the brake resistor overheats. Terminals 104 and 106 are available as brake resistors Klixon inputs.

NOTICE

This signal feedback is used by LHD to monitor the temperature of the HI inductor. This fault indicates that Klixon opened on the HI inductor at the active filter side.

WARNING/ALARM 28, Brake check failed

The brake resistor is not connected or not working. Check *parameter 2-15 Brake Check*.

ALARM 29, Heat Sink temp

The maximum temperature of the heat sink has been exceeded. The temperature fault resets when the temperature falls below a defined heat sink temperature. The trip and reset points vary based on the frequency converter power size.

Troubleshooting

Check for the following conditions.

- Ambient temperature too high.
- Motor cables too long.
- Incorrect airflow clearance above and below the frequency converter.
- Blocked airflow around the frequency converter.
- Damaged heat sink fan.
- Dirty heat sink.

For D, E, and F enclosures, this alarm is based on the temperature measured by the heat sink sensor mounted inside the IGBT modules. For the F enclosures, the thermal sensor in the rectifier module can also cause this alarm.

Troubleshooting

- Check the fan resistance.
- Check the soft charge fuses.
- Check the IGBT thermal sensor.

ALARM 30, Motor phase U missing

Motor phase U between the frequency converter and the motor is missing.

Troubleshooting

- Remove the power from the frequency converter and check motor phase U.

ALARM 31, Motor phase V missing

Motor phase V between the frequency converter and the motor is missing.

Troubleshooting

- Remove the power from the frequency converter and check motor phase V.

ALARM 32, Motor phase W missing

Motor phase W between the frequency converter and the motor is missing.

Troubleshooting

- Remove the power from the frequency converter and check motor phase W.

ALARM 33, Inrush fault

Too many power-ups have occurred within a short time period.

Troubleshooting

- Let the unit cool to operating temperature.

WARNING/ALARM 34, Fieldbus communication fault

The fieldbus on the communication option card is not working.

WARNING/ALARM 36, Mains failure

This warning/alarm is only active if the supply voltage to the frequency converter is lost and *parameter 14-10 Mains Failure* is not set to option [0] *No Function*. Check the fuses to the frequency converter and mains supply to the unit.

ALARM 38, Internal fault

When an internal fault occurs, a code number defined in *Table 7.1* is displayed.

Troubleshooting

- Cycle the power.
- Check that the option is properly installed.
- Check for loose or missing wiring.

It may be necessary to contact Danfoss Service or the supplier. Note the code number for further troubleshooting directions.

Number	Text
0	The serial port cannot be initialised. Contact the Danfoss supplier or Danfoss Service.
256–258	The power EEPROM data is defective or too old.
512	The control board EEPROM data is defective or too old.
513	Communication time-out reading EEPROM data.
514	Communication time-out reading EEPROM data.
515	Application-oriented control cannot recognise the EEPROM data.
516	Cannot write to the EEPROM because a write command is in progress.
517	The write command is under timeout.
518	Failure in the EEPROM.
519	Missing or invalid barcode data in EEPROM.

Number	Text
783	Parameter value outside of minimum/maximum limits.
1024–1279	A CAN telegram could not be sent.
1281	Digital signal processor flash timeout.
1282	Power micro software version mismatch.
1283	Power EEPROM data version mismatch.
1284	Cannot read digital signal processor software version.
1299	The option software in slot A is too old.
1300	The option software in slot B is too old.
1301	The option software in slot C0 is too old.
1302	The option software in slot C1 is too old.
1315	The option software in slot A is not supported (not allowed).
1316	The option software in slot B is not supported (not allowed).
1317	The option software in slot C0 is not supported (not allowed).
1318	The option software in slot C1 is not supported (not allowed).
1379	Option A did not respond when calculating the platform version.
1380	Option B did not respond when calculating the platform version.
1381	Option C0 did not respond when calculating the platform version.
1382	Option C1 did not respond when calculating the platform version.
1536	An exception in the application-oriented control is registered. The debug information is written on the LCP.
1792	DSP watch dog is active. Debugging of power part data, motor-oriented control data not transferred correctly.
2049	Power data restarted.
2064–2072	H081x: Option in slot x has restarted.
2080–2088	H082x: Option in slot x has issued a power-up wait.
2096–2104	H983x: Option in slot x has issued a legal power-up wait.
2304	Could not read any data from the power EEPROM.
2305	Missing software version from the power unit.
2314	Missing power unit data from the power unit.
2315	Missing software version from the power unit.
2316	Missing lo_statepage from the power unit.
2324	The power card configuration is determined to be incorrect at power-up.
2325	A power card has stopped communicating while mains power is applied.
2326	The power card configuration is determined to be incorrect after the delay for power cards to register.
2327	Too many power card locations have been registered as present.

Number	Text
2330	The power size information between the power cards does not match.
2561	No communication from DSP to ATACD.
2562	No communication from ATACD to DSP (state running).
2816	Stack overflow control board module.
2817	Scheduler slow tasks.
2818	Fast tasks.
2819	Parameter thread.
2820	LCP stack overflow.
2821	Serial port overflow.
2822	USB port overflow.
2836	cfListMempool is too small.
3072–5122	The parameter value is outside its limits.
5123	Option in slot A: Hardware incompatible with the control board hardware.
5124	Option in slot B: Hardware incompatible with the control board hardware.
5125	Option in slot C0: Hardware incompatible with the control board hardware.
5126	Option in slot C1: Hardware incompatible with the control board hardware.
5376–6231	Out of memory.

Table 7.1 Internal Fault, Code Numbers

ALARM 39, Heat sink sensor

No feedback from the heat sink temperature sensor.

The signal from the IGBT thermal sensor is not available on the power card. The problem could be on the power card, on the gate drive card, or the ribbon cable between the power card and gate drive card.

WARNING 40, Overload of digital output terminal 27

Check the load connected to terminal 27 or remove the short circuit connection. Check *parameter 5-00 Digital I/O Mode* and *parameter 5-01 Terminal 27 Mode*.

WARNING 41, Overload of digital output terminal 29

Check the load connected to terminal 29 or remove the short circuit connection. Check *parameter 5-00 Digital I/O Mode* and *parameter 5-02 Terminal 29 Mode*.

WARNING 42, Overload of digital output on X30/6 or overload of digital output on X30/7

For X30/6, check the load connected to X30/6 or remove the short circuit connection. Check *parameter 5-32 Term X30/6 Digi Out (MCB 101)*.

For X30/7, check the load connected to X30/7 or remove the short-circuit connection. Check *parameter 5-33 Term X30/7 Digi Out (MCB 101)*.

ALARM 45, Earth fault 2

Ground fault.

Troubleshooting

- Check for proper grounding and loose connections.
- Check for proper wire size.
- Check the motor cables for short circuits or leakage currents.

ALARM 46, Power card supply

The supply on the power card is out of range.

There are 3 power supplies generated by the switch mode power supply (SMPS) on the power card: 24 V, 5 V, and ± 18 V. When powered with 24 V DC with the MCB 107 option, only the 24 V and 5 V supplies are monitored. When powered with 3-phase mains voltage, all 3 supplies are monitored.

WARNING 47, 24 V supply low

The supply on the power card is out of range.

There are 3 supplies generated by the switch mode supply (SMPS) on the power card:

- 24 V.
- 5 V.
- ± 18 V.

Troubleshooting

- Check for a defective power card.

WARNING 48, 1.8 V supply low

The 1.8 V DC supply used on the control card is outside of the allowable limits. The supply is measured on the control card. Check for a defective control card. If an option card is present, check for overvoltage.

WARNING 49, Speed limit

When the speed is outside of the specified range in *parameter 4-11 Motor Speed Low Limit [RPM]* and *parameter 4-13 Motor Speed High Limit [RPM]*, the frequency converter shows a warning. When the speed is below the specified limit in *parameter 1-86 Trip Speed Low [RPM]* (except when starting or stopping), the frequency converter trips.

ALARM 50, AMA calibration failed

Contact the Danfoss supplier or Danfoss Service.

ALARM 51, AMA check U_{nom} and I_{nom}

The settings for motor voltage, motor current, and motor power are wrong. Check the settings in *parameters 1–20 to 1–25*.

ALARM 52, AMA low I_{nom}

The motor current is too low. Check the settings in *parameter 4-18 Current Limit*.

ALARM 53, AMA motor too big

The motor is too big for the AMA to operate.

ALARM 54, AMA motor too small

The motor is too small for the AMA to operate.

ALARM 55, AMA parameter out of range

The parameter values of the motor are outside of the acceptable range. AMA cannot run.

ALARM 56, AMA interrupted by user

The AMA is manually interrupted AMA.

ALARM 57, AMA internal fault

Continue to restart the AMA, until the AMA is carried out.

NOTICE

Repeated runs may heat the motor to a level where the resistance R_s and R_r are increased. In most cases, however, this behaviour is not critical.

ALARM 58, AMA Internal fault

Contact the Danfoss supplier.

WARNING 59, Current limit

The current is higher than the value in *parameter 4-18 Current Limit*. Ensure that motor data in *parameters 1-20* to *1-25* are set correctly. Increase the current limit if necessary. Ensure that the system can operate safely at a higher limit.

WARNING 60, External interlock

External interlock has been activated. To resume normal operation, apply 24 V DC to the terminal programmed for external interlock and reset the frequency converter (via serial communication, digital I/O, or by pressing [Reset]).

WARNING/ALARM 61, Tracking error

An error has occurred between the calculated motor speed and the speed measurement from the feedback device. The function warning/alarm/disable is set in *parameter 4-30 Motor Feedback Loss Function*. Accepted error setting in *parameter 4-31 Motor Feedback Speed Error* and the allowed time the error occur setting in *parameter 4-32 Motor Feedback Loss Timeout*. During a commissioning procedure, the function could be effective.

WARNING 62, Output frequency at maximum limit

The output frequency is higher than the value set in *parameter 4-19 Max Output Frequency*.

ALARM 63, Mechanical brake low

The actual motor current has not exceeded the release brake current within the start delay time window.

ALARM 64, Voltage Limit

The load and speed combination demands a motor voltage higher than the actual DC-link voltage.

WARNING/ALARM 65, Control card over temperature

The cut-out temperature of the control card is 80 °C.

Troubleshooting

- Check that the ambient operating temperature is within the limits.
- Check for clogged filters.
- Check the fan operation.
- Check the control card.

WARNING 66, Heat sink temperature low

The frequency converter is too cold to operate. This warning is based on the temperature sensor in the IGBT module.

Increase the ambient temperature of the unit. Also, a trickle amount of current can be supplied to the frequency converter whenever the motor is stopped by setting *parameter 2-00 DC Hold/Preheat Current* at 5% and *parameter 1-80 Function at Stop*.

Troubleshooting

The heat sink temperature measured as 0 °C could indicate that the temperature sensor is defective, causing the fan speed to increase to the maximum. This warning results if the sensor wire between the IGBT and the gate drive card is disconnected. Also, check the IGBT thermal sensor.

ALARM 67, Option module configuration has changed

One or more options have either been added or removed since the last power-down. Check that the configuration change is intentional and reset the unit.

ALARM 68, Safe Stop activated

STO has been activated. To resume normal operation, apply 24 V DC to terminal 37, then send a reset signal (via bus, digital I/O, or by pressing [Reset]).

ALARM 69, Power card temperature

The temperature sensor on the power card is either too hot or too cold.

Troubleshooting

- Check the operation of the door fans.
- Check that the filters for the door fans are not blocked.
- Check that the gland plate is properly installed on IP21/IP54 (NEMA 1/12) frequency converters.

ALARM 70, Illegal FC configuration

The control card and power card are incompatible. To check compatibility, contact the Danfoss supplier with the type code of the unit from the nameplate and the part numbers of the cards.

ALARM 71, PTC 1 Safe Torque Off

STO has been activated from the VLT® PTC Thermistor Card MCB 112 (motor too warm). Normal operation can resume when the VLT® PTC Thermistor Card MCB 112 applies 24 V DC to terminal 37 (when the motor temperature is acceptable) and when the digital input from the VLT® PTC Thermistor Card MCB 112 is deactivated. When that happens, a reset signal is be sent (via Bus, Digital I/O, or by pressing [Reset]).

NOTICE

If automatic restart is enabled, the motor could start when the fault is cleared.

ALARM 72, Dangerous failure

STO with trip lock. Unexpected signal levels on safe stop and digital input from the VLT® PTC Thermistor Card MCB 112.

WARNING 73, Safe Stop auto restart

Safe Torque Off activated. With automatic restart enabled, the motor can start when the fault is cleared.

WARNING 76, Power unit setup

The required number of power units does not match the detected number of active power units.

Troubleshooting

When replacing an F-frame module, this warning occurs, if the power-specific data in the module power card does not match the rest of the frequency converter. Confirm that the spare part and its power card are the correct part number.

WARNING 77, Reduced power mode

The frequency converter is operating in reduced power mode (less than the allowed number of inverter sections). This warning is generated on power cycle when the frequency converter is set to run with fewer inverters and remains on.

ALARM 79, Illegal power section configuration

The scaling card has an incorrect part number or is not installed. The MK102 connector on the power card could not be installed.

ALARM 80, Drive initialised to default value

Parameter settings are initialised to default settings after a manual reset. To clear the alarm, reset the unit.

ALARM 81, CSIV corrupt

CSIV file has syntax errors.

ALARM 82, CSIV parameter error

CSIV failed to initialise a parameter.

ALARM 85, Dang fail PB

PROFIBUS/PROFIsafe error.

WARNING/ALARM 104, Mixing fan fault

The fan is not operating. The fan monitor checks that the fan is spinning at power-up or whenever the mixing fan is turned on. The mixing-fan fault can be configured as a warning or an alarm trip in *parameter 14-53 Fan Monitor*.

Troubleshooting

- Cycle power to the frequency converter to determine if the warning/alarm returns.

ALARM 243, Brake IGBT

This alarm is only for enclosure size F frequency converters. It is equivalent to Alarm 27. The report value in the alarm log indicates which power module generated the alarm:

- 1 = Left most inverter module.
- 2 = Middle inverter module in enclosure sizes F12 or F13.

2 = Right inverter module in enclosure sizes F10 or F11.

2 = Second frequency converter from the left inverter module in enclosure size F14.

3 = Right inverter module in enclosure sizes F12 or F13.

3 = Third from the left inverter module in enclosure size F14 or F15.

4 = Far right inverter module in enclosure size F14.

5 = Rectifier module.

6 = Right rectifier module in enclosure size F14 or F15.

ALARM 244, Heat Sink temperature

This alarm is only for enclosure type F frequency converters. It is equivalent to Alarm 29. The report value in the alarm log indicates which power module generated the alarm:

1 = Left most inverter module.

2 = Middle inverter module in enclosure size F12 or F13.

2 = Right inverter module in enclosure size F10 or F11.

2 = Second frequency converter from the left inverter module in enclosure size F14 or F15.

3 = Right inverter module in enclosure sizes F12 or F13.

3 = Third from the left inverter module in enclosure size F14 or F15.

4 = Far right inverter module in enclosure sizes F14 or F15.

5 = Rectifier module.

6 = Right rectifier module in enclosure sizes F14 or F15.

ALARM 245, Heat Sink sensor

This alarm is only for enclosure size F frequency converters. It is equivalent to Alarm 39. The report value in the alarm log indicates which power module generated the alarm:

1 = Left most inverter module.

2 = Middle inverter module in enclosure sizes F12 or F13.

2 = Right inverter module in enclosure sizes F10 or F11.

2 = Second frequency converter from the left inverter module in enclosure size F14 or F15.

3 = Right inverter module in enclosure sizes F12 or F13.

3 = Third from the left inverter module in enclosure size F14 or F15.

4 = Far right inverter module in enclosure size F14 or F15.

5 = Rectifier module.

6 = Right rectifier module in enclosure size F14 or F15.

The 12-pulse frequency converter may generate this warning/alarm when one of the disconnects or circuit breakers is opened while the unit is on.

ALARM 246, Power card supply

This alarm is only for enclosure size F frequency converters. It is equivalent to Alarm 46. The report value in the alarm log indicates which power module generated the alarm:

1 = Left most inverter module.

2 = Middle inverter module in enclosure sizes F12 or F13.

2 = Right inverter module in enclosure sizes F10 or F11.

2 = Second frequency converter from the left inverter module in enclosure size F14 or F15.

3 = Right inverter module in enclosure sizes F12 or F13.

3 = Third from the left inverter module in enclosure size F14 or F15.

4 = Far right inverter module in enclosure size F14 or F15.

5 = Rectifier module.

6 = Right rectifier module in enclosure size F14 or F15.

ALARM 247, Power card temperature

This alarm is only for enclosure size F frequency converters. It is equivalent to Alarm 69. The report value in the alarm log indicates which power module generated the alarm:

1 = Left most inverter module.

2 = Middle inverter module in enclosure sizes F12 or F13.

2 = Right inverter module in enclosure sizes F10 or F11.

2 = Second frequency converter from the left inverter module in enclosure size F14 or F15.

3 = Right inverter module in enclosure sizes F12 or F13.

3 = Third from the left inverter module in enclosure size F14 or F15.

4 = Far right inverter module in enclosure size F14 or F15.

5 = Rectifier module.

6 = Right rectifier module in enclosure size F14 or F15.

ALARM 248, Illegal power section configuration

This alarm is only for enclosure size F frequency converters. It is equivalent to Alarm 79. The report value in the alarm log indicates which power module generated the alarm:

1 = Left most inverter module.

2 = Middle inverter module in enclosure sizes F12 or F13.

2 = Right inverter module in enclosure sizes F10 or F11.

2 = Second frequency converter from the left inverter module in enclosure size F14 or F15.

3 = Right inverter module in enclosure sizes F12 or F13.

3 = Third from the left inverter module in enclosure sizes F14 or F15.

4 = Far right inverter module in enclosure sizes F14 or F15.

5 = Rectifier module.

6 = Right rectifier module in enclosure size F14 or F15.

WARNING 250, New spare part

A component in the frequency converter has been replaced.

Troubleshooting

- Reset the frequency converter for normal operation.

WARNING 251, New typecode

The power card or other components have been replaced and the type code has been changed.

Troubleshooting

- Reset to remove the warning and resume normal operation.

7.4 Warnings and Alarm Definitions - Active Filter

NOTICE

After a manual reset pressing [Reset], press [Auto On] or [Hand On] to restart the unit.

Number	Description	Warning	Alarm/Trip	Alarm/Trip Lock	Parameter Reference
1	10 Volts low	X			
2	Live zero error	(X)	(X)		6-01
4	Mains phase loss	X			
5	DC link voltage high	X			
6	DC link voltage low	X			
7	DC over voltage	X	X		
8	DC under voltage	X	X		
13	Over current	X	X	X	
14	Earth fault	X	X	X	
15	Hardware mismatch		X	X	
16	Short circuit		X	X	
17	Control word timeout	(X)	(X)		8-04
23	Internal fan fault	X			
24	External fan fault	X			14-53
29	Heatsink temp	X	X	X	
33	Inrush fault		X	X	
34	Fieldbus fault	X	X		
35	Option fault	X	X		
38	Internal fault				
39	Heatsink sensor		X	X	
40	Overload of digital output terminal 27	(X)			5-00, 5-01
41	Overload of digital output terminal 29	(X)			5-00, 5-02
46	Pwr. card supply		X	X	
47	24 V supply low	X	X	X	
48	1.8 V supply low		X	X	
65	Control board over-temperature	X	X	X	
66	Heat sink temperature low	X			
67	Option configuration has changed		X		
68	Safe torque off activated		X		
69	Pwr. card temp		X	X	
70	Illegal FC configuration			X	
72	Dangerous failure			X	
73	Safe torque off auto restart				
76	Power unit setup	X			
79	Illegal PS config		X	X	
80	Unit initialised to default value		X		
250	New spare part			X	
251	New type code		X	X	
300	Mains cont. fault	X			
301	SC cont. fault	X			
302	Cap. over current	X	X		
303	Cap. earth fault	X	X		
304	DC over current	X	X		
305	Mains freq. limit		X		
306	Compensation Limit				
308	Resistor temp	X		X	
309	Mains earth fault	X	X		
311	Switch. freq. limit		X		

Number	Description	Warning	Alarm/Trip	Alarm/Trip Lock	Parameter Reference
312	CT range		X		
314	Auto CT interrupt		X		
315	Auto CT error		X		
316	CT location error	X			
317	CT polarity error	X			
318	CT ratio error	X			

Table 7.2 Alarm/Warning Code List

A trip is the action when an alarm has appeared. The trip disables the active filter and can be reset by pressing [Reset] or resetting via a digital input (parameter group 5-1* *Digital Inputs [1] Reset*). The original event that caused an alarm cannot damage the active filter or cause dangerous conditions. A trip lock is an action when an alarm occurs, which may cause damage to active filter or connected parts. A trip lock situation can only be reset by a power cycling.

Warning	Yellow
Alarm	Flashing red
Trip locked	Yellow and red

Table 7.3 LED Indicator Lights

Alarm word and extended status word					
Bit	Hex	Dec	Alarm word	Warning word	Extended status word
0	00000001	1	Mains cont. fault	Reserved	Reserved
1	00000002	2	Heat sink temp	Heat sink temp	Auto CT running
2	00000004	4	Ground fault	Ground fault	Reserved
3	00000008	8	Ctrl.card temp	Ctrl.card temp	Reserved
4	00000010	16	Ctrl. word TO	Ctrl. word TO	Reserved
5	00000020	32	Over current	Over current	Reserved
6	00000040	64	SC cont. fault	Reserved	Reserved
7	00000080	128	Cap. over current	Cap. over current	Reserved
8	00000100	256	Cap. earth fault	Cap. earth fault	Reserved
9	00000200	512	Inverter overld.	Inverter overld.	Reserved
10	00000400	1024	DC under volt	DC under volt	Reserved
11	00000800	2048	DC over volt	DC over volt	Reserved
12	00001000	4096	Short circuit	DC voltage low	Reserved
13	00002000	8192	Inrush fault	DC voltage high	Reserved
14	00004000	16384	Mains ph. loss	Mains ph. loss	Reserved
15	00008000	32768	Auto CT error	Reserved	Reserved
16	00010000	65536	Reserved	Reserved	Reserved
17	00020000	131072	Internal fault	10 V low	Password Time Lock
18	00040000	262144	DC over current	DC over current	Password Protection
19	00080000	524288	Resistor temp	Resistor temp	Reserved
20	00100000	1048576	Mains earth fault	Mains earth fault	Reserved
21	00200000	2097152	Switch. freq. limit	Reserved	Reserved
22	00400000	4194304	Fieldbus fault	Fieldbus fault	Reserved
23	00800000	8388608	24 V supply low	24 V supply low	Reserved
24	01000000	16777216	CT range	Reserved	Reserved
25	02000000	33554432	1.8 V supply low	Reserved	Reserved
26	04000000	67108864	Reserved	Low temp	Reserved
27	08000000	134217728	Auto CT interrupt	Reserved	Reserved
28	10000000	268435456	Option change	Reserved	Reserved
29	20000000	536870912	Unit initialised	Unit initialised	Reserved
30	40000000	1073741824	Safe torque off	Safe torque off	Reserved
31	80000000	2147483648	Mains freq. limit	Extended status word	Reserved

Table 7.4 Description of Alarm Word, Warning Word, and Extended Status Word

The alarm words, warning words, and extended status words can be read out via serial bus or optional fieldbus for diagnosis. See also *parameter 16-90 Alarm Word*, *parameter 16-92 Warning Word*, and *parameter 16-94 Ext. Status Word*. Reserved means that the bit is not guaranteed to be any particular value. Reserved bits should not be used for any purpose.

7.4.1 Fault Messages for Active Filter

WARNING 1, 10 volts low

The control card voltage is below 10 V from terminal 50. Remove some of the load from terminal 50, as the 10 V supply is overloaded. Maximum 15 mA or minimum 590 Ω.

WARNING/ALARM 2, Live zero error

The signal on terminal 53 or 54 is less than 50% of the value set in:

- *Parameter 6-10 Terminal 53 Low Voltage.*
- *Parameter 6-12 Terminal 53 Low Current.*
- *Parameter 6-20 Terminal 54 Low Voltage.*
- *Parameter 6-22 Terminal 54 Low Current.*

WARNING 4, Mains phase loss

A phase is missing on the supply side, or the mains voltage imbalance is too high.

WARNING 5, DC-link voltage high

The DC-link voltage (DC) is higher than the high-voltage warning limit. The unit is still active.

WARNING 6, DC-link voltage low

The DC-link voltage (DC) is below the low-voltage warning limit. The unit is still active.

WARNING/ALARM 7, DC overvoltage

If the DC-link voltage exceeds the limit, the unit trips.

WARNING/ALARM 8, DC under voltage

If the DC-link voltage (DC) drops below the undervoltage limit, the filter checks if a 24 V back-up supply is connected. If not, the filter trips. Check that the mains voltage matches the nameplate specification.

WARNING/ALARM 13, Overcurrent

The unit current limit has been exceeded.

ALARM 14, Ground fault

The sum current of the IGBT CTs does not equal 0. Check if the resistance of any phase-to-ground has a low value. Check both before and after mains contactor. Ensure that IGBT current transducers, connection cables, and connectors are OK.

ALARM 15, Incomp. Hardware

A mounted option is incompatible with the present control card SW/HW.

ALARM 16, Short circuit

There is a short circuit in the output. Turn off the unit and correct the error.

WARNING/ALARM 17, Control word time-out

There is no communication to the unit.

The warning is only active when *parameter 8-04 Control Word Timeout Function* is not set to off.

Possible correction: Increase *parameter 8-03 Control Word Timeout Time*. Change *parameter 8-04 Control Word Timeout Function*

WARNING 23, Internal fan fault

Internal fans have failed due to defect hardware or fans not mounted.

WARNING 24, External fan fault

External fans have failed due to defective hardware or fans not mounted.

ALARM 29, Heat sink temp

The maximum temperature of the heat sink has been exceeded. The temperature fault is not reset until the temperature drops below a defined heat sink temperature.

ALARM 33, Inrush fault

Check whether a 24 V external DC supply has been connected.

WARNING/ALARM 34, Fieldbus communication fault

The fieldbus on the communication option card is not working.

WARNING/ALARM 35, Option fault:

Contact Danfoss or supplier.

ALARM 38, Internal fault

Contact Danfoss or supplier.

ALARM 39, Heat sink sensor

No feedback from the heat sink temperature sensor.

WARNING 40, Overload of digital output terminal 27

Check the load connected to terminal 27 or remove short circuit connection.

WARNING 41, Overload of digital output terminal 29

Check the load connected to terminal 29 or remove short circuit connection.

ALARM 46, Power card supply

The supply on the power card is out of range.

WARNING 47, 24 V supply low

Contact Danfoss or supplier.

WARNING 48, 1.8 V supply low

Contact Danfoss or supplier.

WARNING/ALARM/TRIP 65, Control card overtemperature

Control card overtemperature: The cut-out temperature of the control card is 80 °C.

WARNING 66, Heat sink temperature low

This warning is based on the temperature sensor in the IGBT module.

Troubleshooting

The heat sink temperature measured as 0 °C could indicate that the temperature sensor is defective, causing the fan speed to increase to the maximum. If the sensor wire between the IGBT and the gate drive card is disconnected, this warning would result. Also, check the IGBT thermal sensor.

ALARM 67, Option module configuration has changed

One or more options have either been added or removed since the last power-down.

ALARM 68, Safe Torque Off (STO) activated

Safe Torque Off (STO) has been activated. To resume normal operation, apply 24 V DC to terminal 37, then send a reset signal (via bus, digital I/O, or by pressing [Reset]). See *parameter 5-19 Terminal 37 Safe Stop*.

ALARM 69, Power card temperature

The temperature sensor on the power card is either too hot or too cold.

ALARM 70, Illegal FC Configuration

Actual combination of control board and power board is illegal.

ALARM 79, Illegal power section configuration

The scaling card is the incorrect part number or not installed. Also MK102 connector on the power card could not be installed.

ALARM 80, Unit initialised to default value

Parameter settings are initialised to default settings after a manual reset.

ALARM 247, Power card temperature

Power card overtemperature. A report value indicates the source of the alarm (from left):
1–4 inverter.
5–8 rectifier.

ALARM 250, New spare part

The power or switch mode supply has been exchanged. Restore the filter type code in the EEPROM. Select the correct type code in *parameter 14-23 Typecode Setting* according to the label on the unit. Remember to select *Save to EEPROM* to complete.

ALARM 251, New type code

The filter has a new type code.

ALARM 300, Mains cont. fault

The feedback from the mains contactor did not match the expected value within the allowed time frame. Contact Danfoss or supplier.

ALARM 301, SC cont. fault

The feedback from the soft charge contactor did not match the expected value within the allowed time frame. Contact Danfoss or supplier.

ALARM 302, Cap. overcurrent

Excessive current was detected through the AC capacitors. Contact Danfoss or supplier.

ALARM 303, Cap. ground fault

A ground fault was detected through the AC capacitor currents. Contact Danfoss or supplier.

ALARM 304, DC overcurrent

Excessive current through the DC-link capacitor bank was detected. Contact Danfoss or supplier.

ALARM 305, Mains freq. limit

The mains frequency was outside the limits. Verify that the mains frequency is within product specification.

ALARM 306, Compensation limit

The needed compensation current exceeds unit capability. The unit runs at full compensation.

ALARM 308, Resistor temp

Excessive resistor heat sink temperature detected.

ALARM 309, Mains ground fault

A ground fault was detected in the mains currents. Check the mains for shorts and leakage current.

ALARM 310, RTDC buffer full

Contact Danfoss or supplier.

ALARM 311, Switch. freq. limit

The average switching frequency of the unit exceeded the limit. Verify that *parameter 300-10 Active Filter Nominal Voltage* and *parameter 300-22 CT Nominal Voltage* are set correctly. If so, contact Danfoss or supplier.

ALARM 312, CT range

Current transformer measurement limitation was detected. Verify that the CTs used are an appropriate ratio.

ALARM 314, Auto CT interrupt

Auto CT detection has been interrupted.

ALARM 315, Auto CT error

An error was detected while performing auto CT detection. Contact Danfoss or supplier.

WARNING 316, CT location error

The auto CT function could not determine the correct locations of the CTs.

WARNING 317, CT polarity error

The auto CT function could not determine the correct polarity of the CTs.

WARNING 318, CT ratio error

The auto CT function could not determine the correct primary rating of the CTs.

7.5 Troubleshooting

Symptom	Possible cause	Test	Solution
Display dark/no function	Missing input power.	See <i>Table 5.1</i> .	Check the input power source.
	Missing or open fuses, or circuit breaker tripped.	See <i>Open fuses and Tripped circuit breaker</i> in this table for possible causes.	Follow the recommendations provided.
	No power to the LCP.	Check the LCP cable for proper connection or damage.	Replace the faulty LCP or connection cable.
	Shortcut on control voltage (terminal 12 or 50) or at control terminals.	Check the 24 V control voltage supply for terminals 12/13 to 20–39 or 10 V supply for terminals 50–55.	Wire the terminals properly.
	Wrong LCP (LCP from VLT® 2800 or 5000/6000/8000/ FCD or FCM).		Use only LCP 101 (P/N 130B1124) or LCP 102 (P/N 130B1107).
	Wrong contrast setting.		Press [Status] + [▲]/[▼] to adjust the contrast
	Display (LCP) is defective.	Test using a different LCP.	Replace the faulty LCP or connection cable.
	Internal voltage supply fault or SMPS is defective.		Contact supplier.
Intermittent display	Overloaded power supply (SMPS) due to improper control wiring or a fault within the frequency converter.	To rule out a problem in the control wiring, disconnect all control wiring by removing the terminal blocks.	If the display stays lit, then the problem is in the control wiring. Check the wiring for shorts or incorrect connections. If the display continues to cut out, follow the procedure for display dark.
Motor not running	Service switch open or missing motor connection.	Check if the motor is connected and the connection is not interrupted (by a service switch or other device).	Connect the motor and check the service switch.
	No mains power with 24 V DC option card.	If the display is functioning but no output, check that mains power is applied to the frequency converter.	Apply mains power to run the unit.
	LCP Stop.	Check if [Off] has been pressed.	Press [Auto On] or [Hand On] (depending on operation mode) to run the motor.
	Missing start signal (Standby).	Check <i>parameter 5-10 Terminal 18 Digital Input</i> for correct setting for terminal 18 (use default setting).	Apply a valid start signal to start the motor.
	Motor coast signal active (Coasting).	Check <i>parameter 5-12 Terminal 27 Digital Input</i> for correct setting for terminal 27 (use default setting).	Apply 24 V on terminal 27 or program this terminal to [0] <i>No operation</i> .
	Wrong reference signal source.	Check reference signal: Local, remote or bus reference? Preset reference active? Terminal connection correct? Scaling of terminals correct? Reference signal available?	Program correct settings. Check <i>parameter 3-13 Reference Site</i> . Set preset reference active in parameter group 3-1* <i>References</i> . Check for correct wiring. Check scaling of terminals. Check reference signal.
Motor running in wrong direction	Motor rotation limit.	Check that <i>parameter 4-10 Motor Speed Direction</i> is programmed correctly.	Program correct settings.
	Active reversing signal.	Check if a reversing command is programmed for the terminal in parameter group 5-1* <i>Digital inputs</i> .	Deactivate reversing signal.
	Wrong motor phase connection.		See <i>chapter 4.6.1 Motor Cable</i> .

Symptom	Possible cause	Test	Solution
Motor is not reaching maximum speed	Frequency limits set wrong.	Check output limits in: <ul style="list-style-type: none"> Parameter 4-13 Motor Speed High Limit [RPM]. Parameter 4-14 Motor Speed High Limit [Hz]. Parameter 4-19 Max Output Frequency. 	Program correct limits.
	Reference input signal not scaled correctly.	Check reference input signal scaling in 6-0* Analog I/O Mode and parameter group 3-1* References. Reference limits in parameter group 3-0* Reference Limit.	Program correct settings.
Motor speed unstable	Possible incorrect parameter settings.	Check the settings of all motor parameters, including all motor compensation settings. For closed-loop operation, check PID settings.	Check settings in parameter group 1-6* Load Depen. Setting. For closed-loop operation, check settings in parameter group 20-0* Feedback.
Motor runs rough	Possible overmagnetisation.	Check for incorrect motor settings in all motor parameters.	Check motor settings in parameter groups 1-2* Motor Data, 1-3* Adv Motor Data, and 1-5* Load Indep. Setting.
Motor does not brake	Possible incorrect settings in the brake parameters. Possible too short ramp down times.	Check brake parameters. Check ramp time settings.	Check parameter group 2-0* DC Brake and 3-0* Reference Limits.
Open power fuses or circuit breaker trip	Phase-to-phase shortcircuit.	Motor or panel has a short phase-to-phase. Check motor and panel phase for short circuits.	Eliminate any short circuits detected.
	Motor overload.	Motor is overloaded for the application.	Perform start-up test and verify that the motor current is within specifications. If motor current is exceeding nameplate full load current, motor may run only with reduced load. Review the specifications for the application.
	Loose connections.	Perform pre-startup check for loose connections.	Tighten loose connections.
Mains current imbalance greater than 3%	Problem with mains power (See Alarm 4 Mains phase loss description).	Rotate input power leads into the frequency converter 1 position: A to B, B to C, C to A.	If imbalanced leg follows the wire, it is a power problem. Check mains power supply.
	Problem with the frequency converter.	Rotate input power leads into the frequency converter 1 position: A to B, B to C, C to A.	If imbalance leg stays on same input terminal, it is a problem with the unit. Contact the supplier.
Motor current imbalance greater than 3%	Problem with motor or motor wiring.	Rotate output motor leads 1 position: U to V, V to W, W to U.	If imbalanced leg follows the wire, the problem is in the motor or motor wiring. Check motor and motor wiring.
	Problem with the frequency converters.	Rotate output motor leads 1 position: U to V, V to W, W to U.	If imbalance leg stays on same output terminal, it is a problem with the unit. Contact the supplier.

Symptom	Possible cause	Test	Solution
Acoustic noise or vibration (for example a fan blade is making noise or vibrations at certain frequencies)	Resonances, for example in the motor/fan system.	Bypass critical frequencies by using parameters in parameter group 4-6* <i>Speed Bypass</i> .	Check if noise and/or vibration have been reduced to an acceptable limit.
		Turn off overmodulation in <i>parameter 14-03 Overmodulation</i> .	
		Change switching pattern and frequency in parameter group 14-0* <i>Inverter Switching</i> .	
		Increase resonance dampening in <i>parameter 1-64 Resonance Dampening</i> .	

Table 7.5 Troubleshooting

8 Specifications

8.1 Power-Dependent Specifications

8.1.1 Mains Supply 3x380–480 V AC

Mains Supply 3x380–480 VAC		N160	N200	N250	
Normal overload =110% current for 60 s*		NO	NO	NO	
	Typical shaft output at 400 V [kW]	160	200	250	
	Typical shaft output at 460 V [HP]	250	300	350	
	Typical shaft output at 480 V [kW]	200	250	315	
	Enclosure protection rating IP21	D1n	D2n	D2n	
	Enclosure protection rating IP54	D1n	D2n	D2n	
	Output current				
	Continuous (at 400 V) [A]	315	395	480	
	Intermittent (60 s overload) (at 400 V) [A]	347	435	528	
	Continuous (at 460/480 V) [A]	302	361	443	
	Intermittent (60 s overload) (at 460/480 V) [A]	332	397	487	
Continuous KVA (at 400 V) [KVA]	218	274	333		
Continuous KVA (at 460 V) [KVA]	241	288	353		
Continuous KVA (at 480 V) [KVA]	262	313	384		
Maximum input current					
	Continuous (at 400 V) [A]	304	381	463	
	Continuous (at 460/480 V) [A]	291	348	427	
	Maximum cable size, mains motor, brake, and load share [mm ² (AWG ²)]	Motor, brake and load share: 2x95 (2x3/0) Mains: 2x185 (2x350)	2x185 (2x350 mcm)	2x185 (2x350 mcm)	
	Maximum external mains fuses [A] ¹⁾	400	550	630	
	Total LHD loss 400 V AC [kW]	8725	9831	11371	
	Total back channel loss 400 V AC [kW]	7554	8580	10020	
	Total filter loss 400 V AC [kW]	4954	5714	6234	
	Total LHD loss 460 V AC [kW]	8906	9046	10626	
	Total back channel loss 460 V AC [kW]	7343	7374	8948	
	Total filter loss 460 V AC [kW]	4063	4187	4822	
	Weight, enclosure protection rating IP21, IP54 [kg]	352	413	413	
	Efficiency ⁴⁾	0.96			
	Acoustic noise	85dBa			
	Output frequency	0–590 Hz			
Heat sink overtemperature trip	105° C	105 °C	105 °C		
Power card ambient trip	85 °C				

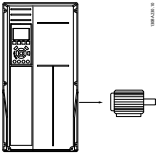
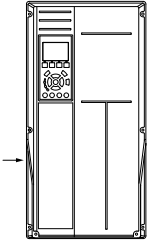
* High overload = 150% current for 60 s, normal overload = 110% current for 60 s.

Table 8.1 D-frame Ratings

Mains supply 3x380–480 V AC						
		P315	P355	P400	P450	
Normal overload =110% current for 60 s*		NO				
	Typical shaft output at 400 V [kW]	315	355	400	450	
	Typical shaft output at 460 V [HP]	450	500	600	600	
	Typical shaft output at 480 V [kW]	355	400	500	530	
	Enclosure protection rating IP21	E9	E9	E9	E9	
	Enclosure protection rating IP54	E9	E9	E9	E9	
Output current						
	Continuous (at 400 V) [A]	600	658	745	800	
	Intermittent (60 s overload) (at 400 V) [A]	660	724	820	880	
	Continuous (at 460/480 V) [A]	540	590	678	730	
	Intermittent (60 s overload) (at 460/480 V) [A]	594	649	746	803	
	Continuous KVA (at 400 V) [KVA]	416	456	516	554	
	Continuous KVA (at 460 V) [KVA]	430	470	540	582	
	Continuous KVA (at 480 V) [KVA]	468	511	587	632	
Maximum input current						
	Continuous (at 400 V) [A]	590	647	733	787	
	Continuous (at 460/480 V) [A]	531	580	667	718	
	Maximum cable size, mains, motor, and load share [mm ² (AWG ²)]	4x240 (4x500 mcm)	4x240 (4x500 mcm)	4x240 (4x500 mcm)	4x240 (4x500 mcm)	
	Maximum cable size, brake [mm ² (AWG ²)]	2x185 (2x350 mcm)	2x185 (2x350 mcm)	2x185 (2x350 mcm)	2x185 (2x350 mcm)	
	Maximum external mains fuses [A] ¹⁾	700	900	900	900	
	Total LHD loss 400 V AC [kW]	14051	15320	17180	18447	
	Total back channel loss 400 V AC [kW]	11301	11648	13396	14570	
	Total filter loss 400 V AC [kW]	7346	7788	8503	8974	
	Total LHD loss 460 V AC [kW]	12936	14083	15852	16962	
	Total back channel loss 460 V AC [kW]	10277	10522	12184	13214	
	Total filter loss 460 V AC [kW]	7066	7359	8033	8435	
	Weight, enclosure protection rating IP21, IP54 [kg]	596	623	646	646	
	Efficiency ⁴⁾	0.96				
	Acoustic noise	72dBa				
Output frequency	0–600 Hz					
Heat sink overtemperate trip	105 °C					
Power card ambient trip	85 °C					

* High overload = 160% current for 60 s, normal overload = 110% current for 60 s.

Table 8.2 E-frame Ratings

Mains supply 3x380–480 V AC						
Normal overload =110% current for 60 s*		P500	P560	P630	P710	
		NO	NO	NO	NO	
		Typical shaft output at 400 V [kW]	500	560	630	710
		Typical shaft output at 460 V [HP]	650	750	900	1000
		Typical shaft output at 480 V [kW]	560	630	710	800
		Enclosure protectionn rating IP21, 54	F18	F18	F18	F18
Output current						
		Continuous (at 400 V) [A]	880	990	1120	1260
		Intermittent (60 s overload) (at 400 V) [A]	968	1089	1232	1386
		Continuous (at 460/480 V) [A]	780	890	1050	1160
		Intermittent (60 s overload) (at 460/480 V) [A]	858	979	1155	1276
		Continuous KVA (at 400 V) [KVA]	610	686	776	873
		Continuous KVA (at 460 V) [KVA]	621	709	837	924
		Continuous KVA (at 480 V) [KVA]	675	771	909	1005
Maximum input current						
		Continuous (at 400 V) [A]	857	964	1090	1227
		Continuous (at 460/480 V) [A]	759	867	1022	1129
		Maximum cable size,motor [mm ² (AWG ²)]	8x150 (8x300 mcm)			
		Maximum cable size,mains F1/F2 [mm ² (AWG ²)]	8x240 (8x500 mcm)			
		Maximum cable size,mains F3/F4 [mm ² (AWG ²)]	8x456 (8x900 mcm)			
		Maximum cable size, loadsharing [mm ² (AWG ²)]	4x120 (4x250 mcm)			
		Maximum cable size, brake [mm ² (AWG ²)]	4x185 (4x350 mcm)			
		Maximum. external mains fuses [A] ¹⁾	1600		2000	
		Total LHD loss 400 V AC [kW]	21909	24592	26640	30519
		Total back channel loss 400 V AC [kW]	17767	19984	21728	24936
		Total filter loss 400 V AC [kW]	11747	12771	14128	15845
		Total LHD loss 460 V AC [kW]	19896	22353	25030	27989
		Total back channel loss 460 V AC [kW]	16131	18175	20428	22897
		Total filter loss 460 V AC [kW]	11020	11929	13435	14776
		Maximum panel options losses	400			
		Weight, enclosure protection ratings IP21, IP54 [kg]	2009			
		Weight frequency converter section [kg]	1004			
		Weight filter section [kg]	1005			
		Efficiency ⁴⁾	0.96			
		Acoustic noise	69dBa			
		Output frequency	0–600 Hz			
		Heat sink overtemperate trip	105 °C			
		Power card ambient trip	85 °C			

* High overload = 160% current for 60 s, normal overload = 110% current for 60 s.

Table 8.3 F-frame Ratings

- 1) For type of fuse see *chapter 8.4.1 Fuses*.
- 2) American Wire Gauge.
- 3) Measured using 5 m screened motor cables at rated load and rated frequency.
- 4) The typical power loss is at nominal load conditions and expected to be within $\pm 15\%$ (tolerance relates to variety in voltage and cable conditions). Values are based on a typical motor efficiency (eff2/eff3 border line). Motors with lower efficiency also add to the power loss in the frequency converter and opposite. If the switching frequency is increased beyond the default setting, the power losses may rise significantly. LCP and typical control card power consumptions are included. Further options and customer load may add up to 30 W to the losses (though typical only 4 W extra for a fully loaded control card, or options for slot A or slot B, each). Although measurements are made with state-of-the-art equipment, some measurement inaccuracy must be allowed for ($\pm 5\%$).

8.1.2 Derating for Temperature

The frequency converter automatically derates the switching frequency, switching type, or output current under certain load or ambient conditions as described in the following. *Illustration 8.1, Illustration 8.2, Illustration 8.3, and Illustration 8.4* show the derating curve for SFAVM and 60 AVM switching modes.

8

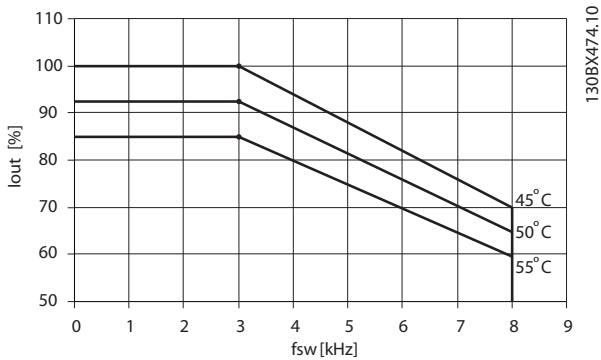


Illustration 8.1 Derating Enclosure Size D, N160 to N250 380–480 V (T5) Normal Overload 110%, 60 AVM

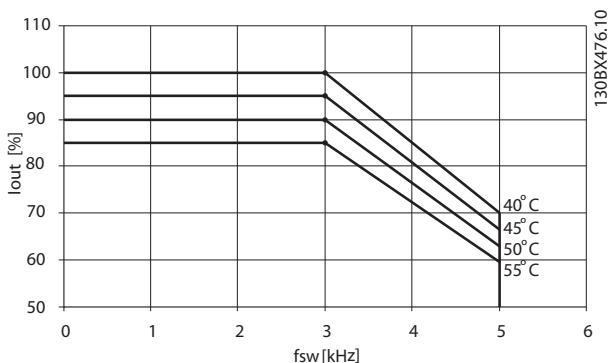


Illustration 8.2 Derating Enclosure Size D, N160 to N250 380–480 V (T5) Normal Overload 110%, SFAVM

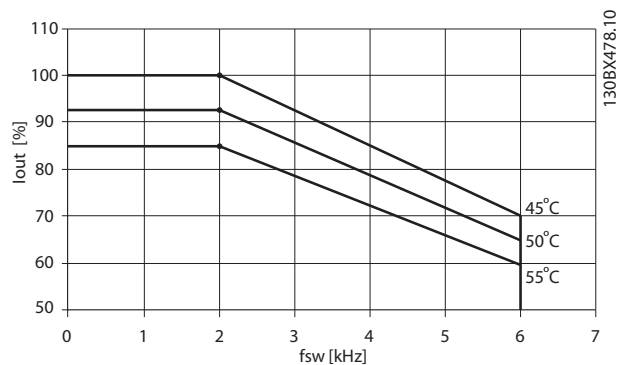


Illustration 8.3 Derating Enclosure Sizes E and F, P315 to P710 380–480 V (T5) Normal Overload 110%, 60 AVM

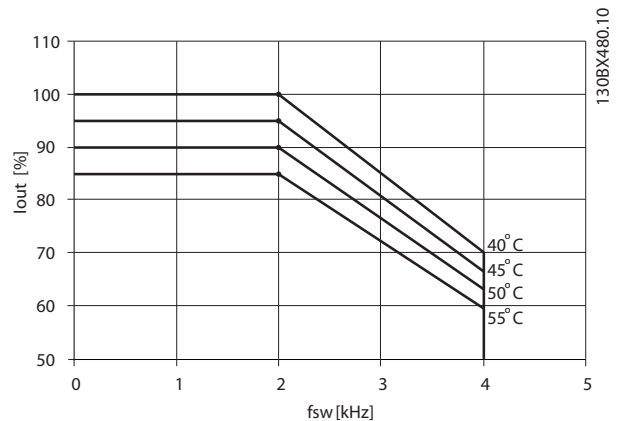
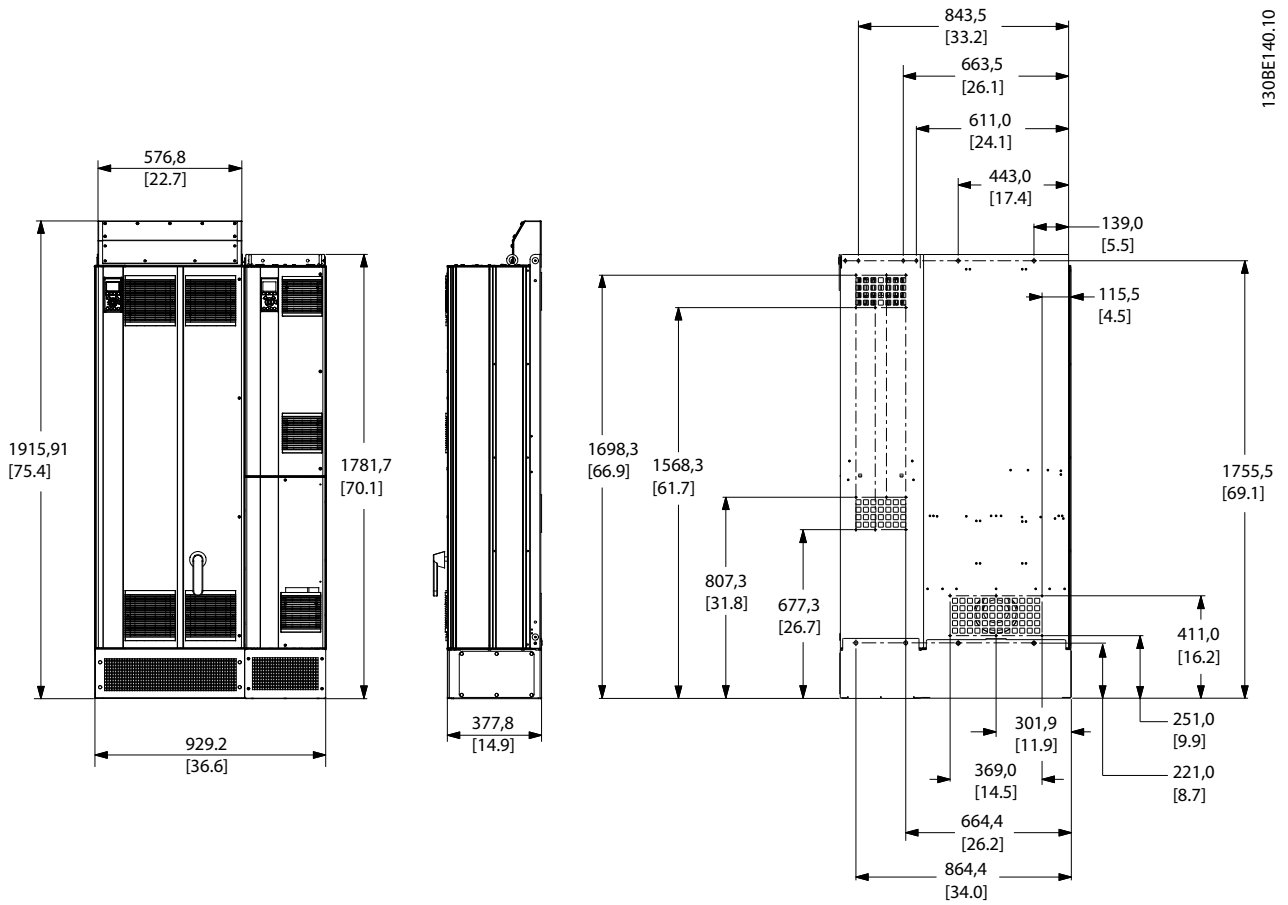


Illustration 8.4 Derating Enclosure Sizes E and F, P315 to P710 380–480 V (T5) Normal Overload 110%, SFAVM

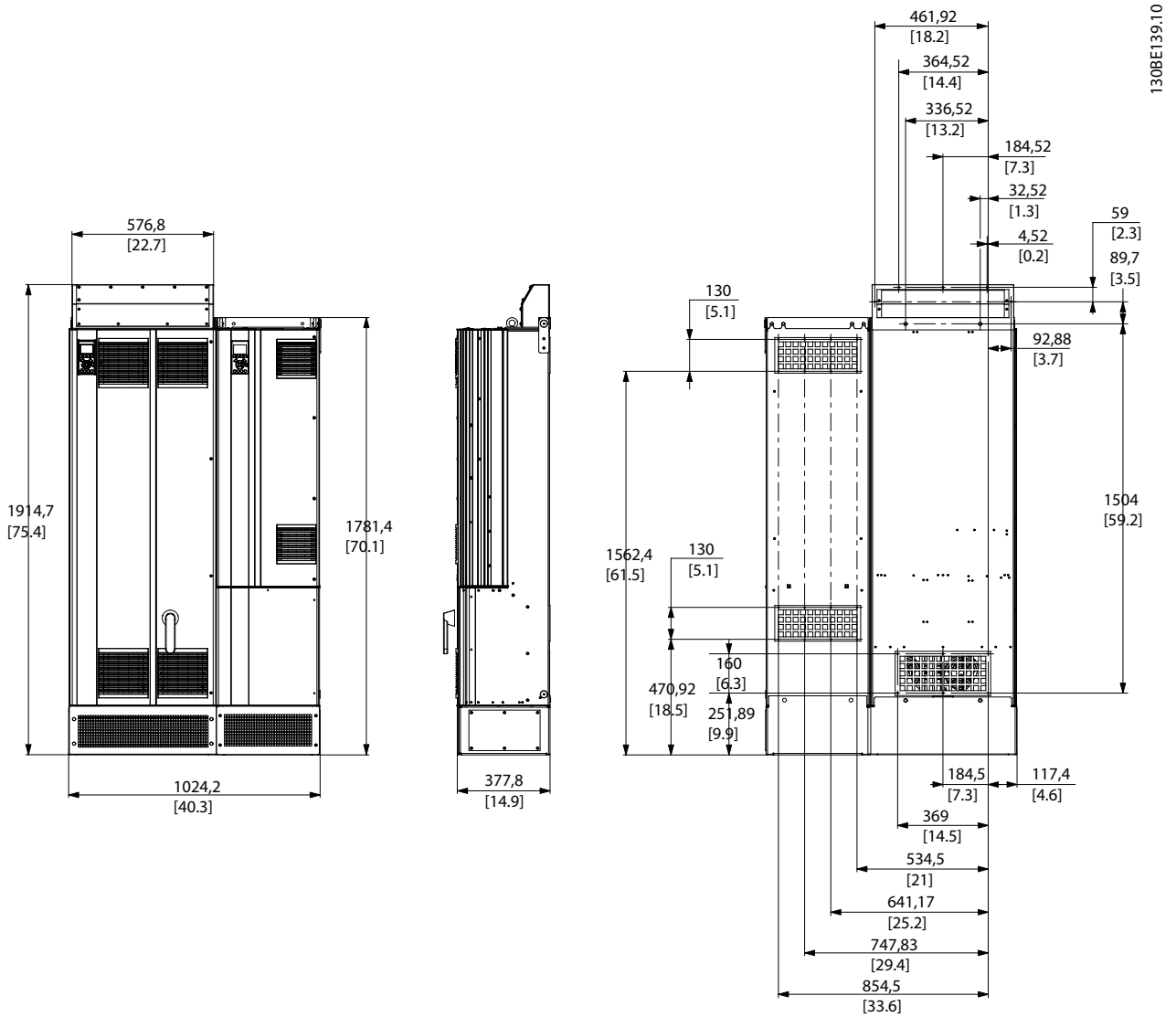
8.2 Mechanical Dimensions



130BET40.10

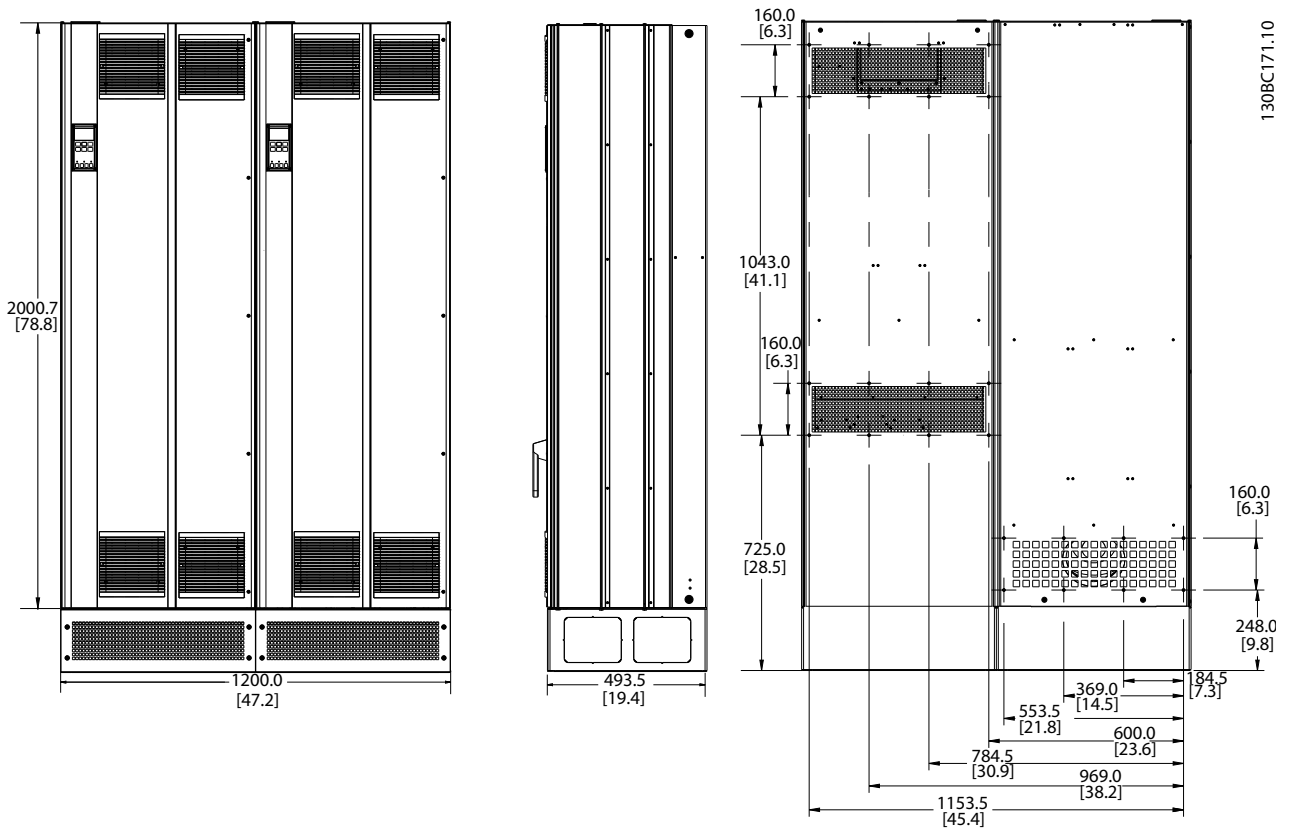
8

Illustration 8.5 Enclosure Size D1n



8

Illustration 8.6 Enclosure Size D2n



8

Illustration 8.7 Enclosure Size E9

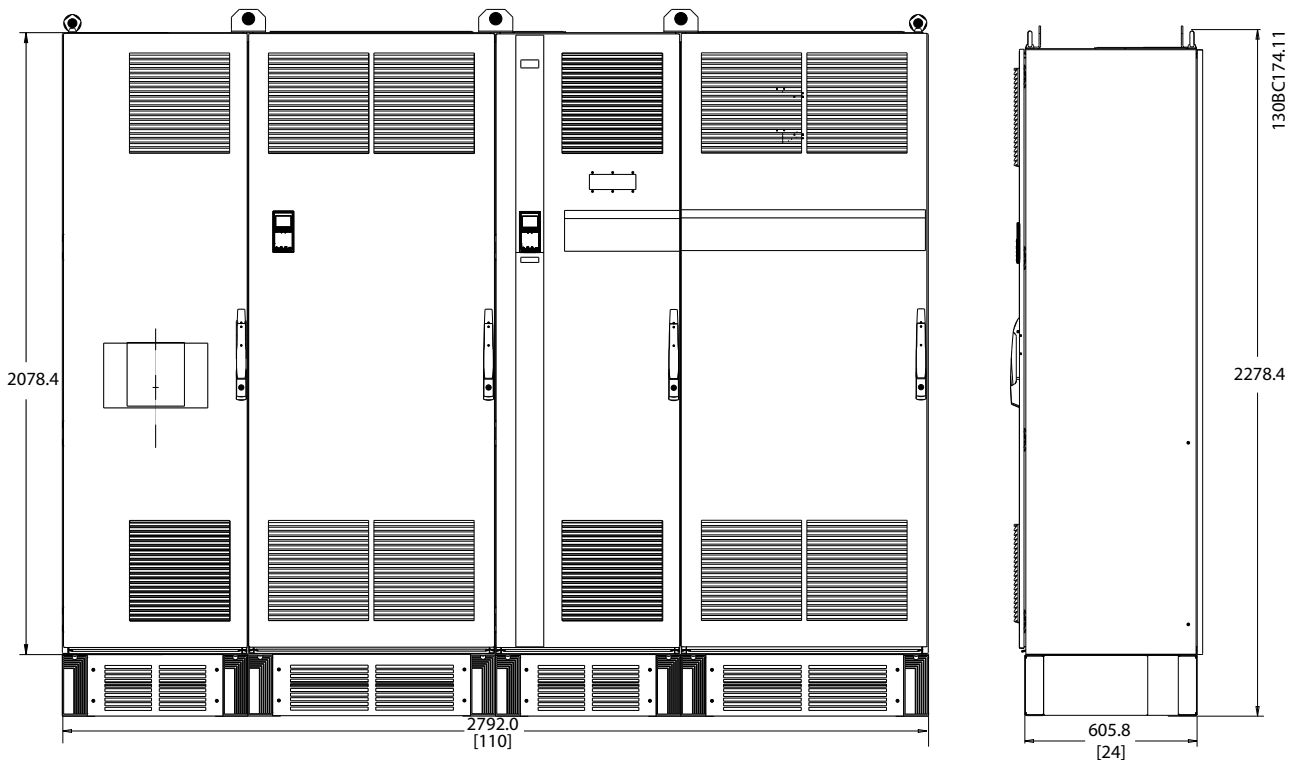


Illustration 8.8 Enclosure Size F18, Front and Side View

8.3 General Technical Data

Mains supply (L1, L2, L3)

Supply voltage	380–480 V +5%
----------------	---------------

Mains voltage low/mains drop-out:

During low mains voltage or mains drop-out, the frequency converter continues until the intermediate circuit voltage drops below the minimum stop level, corresponding to 15% below the lowest rated supply voltage. Power-up and full torque cannot be expected at mains voltage lower than 10% below the lowest rated supply voltage.

Supply frequency	50/60 Hz ±5%
------------------	--------------

Maximum imbalance temporary between mains phases	3.0% of rated supply voltage
--	------------------------------

True power factor (λ)	>0.98 nominal at rated load
---------------------------------	-----------------------------

Displacement power factor ($\cos\phi$) near unity	(>0.98)
---	---------

THDi	<5%
------	-----

Switching on input supply L1, L2, L3 (power-ups)	maximum once/2 minutes
--	------------------------

Environment according to EN60664-1	overvoltage category III/pollution degree 2
------------------------------------	---

The unit is suitable for use on a circuit capable of delivering not more than 100000 RMS symmetrical Amperes, 480/690 V maximum.

Motor output (U, V, W)

Output voltage	0–100% of supply voltage
----------------	--------------------------

Output frequency	0–590 Hz ¹⁾
------------------	------------------------

Switching on output	Unlimited
---------------------	-----------

Ramp times	0.01–3600 s
------------	-------------

1) Voltage and power dependent

Torque characteristics

Starting torque (constant torque)	maximum 150% for 60 s ¹⁾
-----------------------------------	-------------------------------------

Starting torque	maximum 180% up to 0.5 s ¹⁾
-----------------	--

Overload torque (constant torque)	maximum 150% for 60 s ¹⁾
-----------------------------------	-------------------------------------

1) Percentage relates to nominal torque of the unit.

Cable lengths and cross-sections

Maximum motor cable length, screened/armoured	150 m
---	-------

Maximum motor cable length, unscreened/unarmoured	300 m
---	-------

Maximum cross-section to motor, mains, load sharing, and brake ¹⁾	
--	--

Maximum cross-section to control terminals, rigid wire	1.5 mm ² /16 AWG (2x0.75 mm ²)
--	---

Maximum cross-section to control terminals, flexible cable	1 mm ² /18 AWG
--	---------------------------

Maximum cross-section to control terminals, cable with enclosed core	0.5 mm ² /20 AWG
--	-----------------------------

Minimum cross-section to control terminals	0.25 mm ²
--	----------------------

1) See chapter 8.1.1 Mains Supply 3x380–480 V AC for more information

Digital inputs

Programmable digital inputs	4 (6) on frequency converter and 2 (4) on active filter
-----------------------------	---

Terminal number	18, 19, 27 ¹⁾ , 29 ¹⁾ , 32, and 33
-----------------	--

Logic	PNP or NPN
-------	------------

Voltage level	0–24 V DC
---------------	-----------

Voltage level, logic 0 PNP	<5 V DC
----------------------------	---------

Voltage level, logic 1 PNP	>10 V DC
----------------------------	----------

Voltage level, logic 0 NPN	>19 V DC
----------------------------	----------

Voltage level, logic 1 NPN	<14 V DC
----------------------------	----------

Maximum voltage on input	28 V DC
--------------------------	---------

Input resistance, R_i	approximately 4 k Ω
-------------------------	----------------------------

All digital inputs are galvanically isolated from the supply voltage (PELV) and other high-voltage terminals.

1) Terminals 27 and 29 can also be programmed as output.

Analog inputs

Number of analog inputs	2 on frequency converter
Terminal number	53 and 54
Modes	Voltage or current
Mode select	Switch S201 and switch S202, switch A53 and A54
Voltage mode	Switch S201/switch S202 = OFF (U), switch A53 and A54
Voltage level	0–10 V (scaleable)
Input resistance, R_i	Approximately 10 k Ω
Maximum voltage	± 20 V
Current mode	Switch S201/switch S202 = ON (I), switch A53 and A54
Current level	0/4–20 mA (scaleable)
Input resistance, R_i	approximately 200 Ω
Maximum current	30 mA
Resolution for analog inputs	10 bit (+ sign)
Accuracy of analog inputs	Maximum error 0.5% of full scale
Bandwidth	100 Hz (D-frame), 200 Hz

The analog inputs are galvanically isolated from the supply voltage (PELV) and other high-voltage terminals.

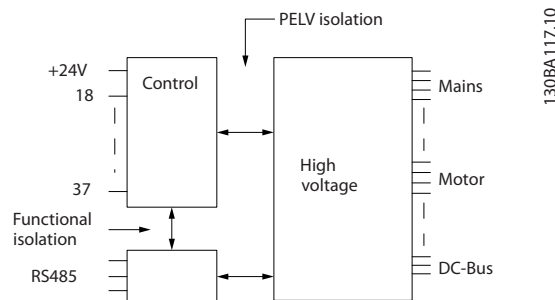


Illustration 8.9 PELV Isolation of Analog Inputs

Pulse inputs

Programmable pulse inputs	2 on frequency converter
Terminal number pulse	29 and 33
Maximum frequency at terminal, 29 and 33	110 kHz (push-pull driven)
Maximum frequency at terminal, 29 and 33	5 kHz (open collector)
Minimum frequency at terminal 29 and 33	4 Hz
Voltage level	see chapter 8.3.1 Digital inputs
Maximum voltage on input	28 V DC
Input resistance, R_i	approximately 4 k Ω
Pulse input accuracy (0.1–1 kHz)	Maximum error: 0.1% of full scale

Analog output

Number of programmable analog outputs	1 on both frequency converter and active filter
Terminal number	42
Current range at analog output	0/4–20 mA
Maximum resistor load to common at analog output	500 Ω
Accuracy on analog output	Maximum error: 0.8% of full scale
Resolution on analog output	8 bit

The analog output is galvanically isolated from the supply voltage (PELV) and other high-voltage terminals.

Control card, RS485 serial communication

Terminal number	68 (PTX+, RX+) and 69 (N, TX-, RX-)
Terminal number 61	Common for terminals 68 and 69

The RS485 serial communication circuit is functionally separated from other central circuits and galvanically isolated from the supply voltage (PELV).

Digital output

Programmable digital/pulse outputs	2 on both frequency converter and active filter
Terminal number	27 and 29 ¹⁾
Voltage level at digital/frequency output	0–24 V
Maximum output current (sink or source)	40 mA
Maximum load at frequency output	1 kΩ
Maximum capacitive load at frequency output	10 nF
Minimum output frequency at frequency output	0 Hz
Maximum output frequency at frequency output	32 kHz
Accuracy of frequency output	Maximum error: 0.1% of full scale
Resolution of frequency outputs	12 bit

1) Terminals 27 and 29 can also be programmed as input.

The digital output is galvanically isolated from the supply voltage (PELV) and other high-voltage terminals.

Control card, 24 V DC output

Terminal number	13
Output voltage	24 V (+1, -3 v)
Maximum load	200 mA

The 24 V DC supply is galvanically isolated from the supply voltage (PELV), but has the same potential as the analog and digital inputs and outputs.

8
Relay outputs

Programmable relay outputs	2 on frequency converter only
Relay 01 Terminal number (D-frame)	1–3 (break), 1–2 (make)
Maximum terminal load (AC-1) ¹⁾ on 1–2 (NO) (Resistive load) ²⁾³⁾	400 V AC, 2 A
Maximum terminal load (AC-15) ¹⁾ on 1–2 (NO) (Inductive load @ cosφ 0.4)	240 V AC, 0.2 A
Maximum terminal load (DC-1) ¹⁾ on 1–2 (NO) (Resistive load)	80 V DC, 2 A
Maximum terminal load (DC-13) ¹⁾ on 1–2 (NO) (Inductive load)	24 V DC, 0.1 A
Maximum terminal load (AC-1) ¹⁾ on 1–3 (NC) (Resistive load)	240 V AC, 2 A
Maximum terminal load (AC-15) ¹⁾ on 1–3 (NC) (Inductive load @ cosφ 0.4)	240 V AC, 0.2 A
Maximum terminal load (DC-1) ¹⁾ on 1–3 (NC) (Resistive load)	50 V DC, 2 A
Maximum terminal load (DC-13) ¹⁾ on 1–3 (NC) (Inductive load)	24 V DC, 0.1 A
Minimum terminal load on 1–3 (NC), 1–2 (NO)	24 V DC 10 mA, 24 V AC 2 mA
Environment according to EN 60664-1	overvoltage category III/pollution degree 2
Relay 01 terminal number (E-frame and F-frame)	1–3 (break), 1–2 (make)
Maximum terminal load (AC-1) ¹⁾ on 1–3 (NC), 1–2 (NO) (resistive load)	240 V AC, 2 A
Maximum terminal load (AC-15) ¹⁾ (inductive load @ cosφ 0.4)	240 V AC, 0.2 A
Maximum terminal load (DC-1) ¹⁾ on 1–2 (NO), 1–3 (NC) (resistive load)	60 V DC, 1 A
Maximum terminal load (DC-13) ¹⁾ (inductive load)	24 V DC, 0.1 A
Relay 02 terminal number	4–6 (break), 4–5 (make)
Maximum terminal load (AC-1) ¹⁾ on 4–5 (NO) (resistive load) ²⁾³⁾	400 V AC, 2 A
Maximum terminal load (AC-15) ¹⁾ on 4–5 (NO) (inductive load @ cosφ 0.4)	240 V AC, 0.2 A
Maximum terminal load (DC-1) ¹⁾ on 4–5 (NO) (resistive load)	80 V DC, 2 A
Maximum terminal load (DC-13) ¹⁾ on 4–5 (NO) (inductive load)	24 V DC, 0.1 A
Maximum terminal load (AC-1) ¹⁾ on 4–6 (NC) (resistive load)	240 V AC, 2 A
Maximum terminal load (AC-15) ¹⁾ on 4–6 (NC) (inductive load @ cosφ 0.4)	240 V AC, 0.2 A
Maximum terminal load (DC-1) ¹⁾ on 4–6 (NC) (resistive load)	50 V DC, 2 A
Maximum terminal load (DC-13) ¹⁾ on 4–6 (NC) (inductive load)	24 V DC, 0.1 A
Minimum terminal load on 1–3 (NC), 1–2 (NO), 4–6 (NC), 4–5 (NO)	24 V DC 10 mA, 24 V AC 20 mA
Environment according to EN 60664-1	overvoltage category III/pollution degree 2

1) IEC 60947 parts 4 and 5.

The relay contacts are galvanically isolated from the rest of the circuit by reinforced isolation (PELV).

2) Overvoltage Category II.

3) UL applications 300 V AC 2 A.

Control characteristics

Resolution of output frequency at 0–1000 Hz	±0.003 Hz
System response time (terminals 18, 19, 27, 29, 32, and 33)	≤2 ms
Speed control range (open loop)	1:100 of synchronous speed
Speed accuracy (open loop)	30–4000 RPM: Maximum error of ±8 RPM

All control characteristics are based on a 4-pole asynchronous motor.

Surroundings

Enclosure protection rating, enclosure sizes D and E	IP21, IP54
Enclosure protection rating, enclosure size F	IP21, IP54
Vibration test	0.7 g
Relative humidity	5–95% (IEC 721-3-3; Class 3K3 (non-condensing) during operation
Aggressive environment (IEC 60068-2-43) H ₂ S test	class kD
Test method according to IEC 60068-2-43 H ₂ S (10 days)	
Ambient temperature (at 60 AVM switching mode)	
- with derating	maximum 55 °C
- with full output power, typical IE2 motors (see <i>chapter 8.1.2 Derating for Temperature</i>)	maximum 50 °C
- at full continuous FC output current	maximum 45 °C
Minimum ambient temperature during full-scale operation	0 °C
Minimum ambient temperature at reduced performance	-10 °C
Temperature during storage/transport	-25 to +65/70 °C
Maximum altitude above sea level without derating	1000 m
Maximum altitude above sea level with derating	3000 m

For more information on derating, consult the design guide.

EMC standards, emission	EN 61800-3, EN 61000-6-3/4, EN 55011, IEC 61800-3 EN 61800-3, EN 61000-6-1/2,
EMC standards, immunity	EN 61000-4-2, EN 61000-4-3, EN 61000-4-4, EN 61000-4-5, EN 61000-4-6

Control card performance

Scan interval	1 ms
---------------	------

Control card, USB serial communication

USB standard	1.1 (full speed)
USB plug	USB type B device plug

NOTICE

Connection to PC is carried out via a standard host/device USB cable.

The USB connection is galvanically isolated from the supply voltage (PELV) and other high-voltage terminals.

The USB connection is not galvanically isolated from protective earth. Use only an isolated laptop/PC as connection to the USB connector on the frequency converter or an isolated USB cable/converter.

Protection and features:

- Electronic thermal motor protection against overload.
- Temperature monitoring of the heat sink ensures that the frequency converter trips if the temperature reaches a predefined level. An overload temperature cannot be reset until the temperature of the heat sink is below the allowed values.
- The frequency converter is protected against short circuits on motor terminals U, V, W.
- If a mains phase is missing, the frequency converter trips or issues a warning (depending on the load).
- Monitoring of the DC-link voltage ensures that the frequency converter trips if the intermediate circuit voltage is too low or too high.
- The frequency converter is protected against ground faults on motor terminals U, V, W.

Power Ranges (LHD with AF)

Response time	<0.5 ms
Settling time - reactive current control	<40 ms
Settling time - harmonic current control (filtering)	<20 ms
Overshoot - reactive current control	<20%
Overshoot - harmonic current control	<10%

Grid conditions

Supply voltage	380–480 V, +5%/-10%
----------------	---------------------

Mains voltage low/mains drop-out:

During low mains voltage or a mains drop-out, the filter continues until the DC-link voltage drops below the minimum stop level, which corresponds to 15% below the filter lowest rated supply voltage. Full compensation cannot be expected at mains voltage lower than 10% below the filter lowest rated supply voltage. If mains voltage exceeds the filter highest rated voltage, the filter continues to work but harmonic mitigation performance is reduced. The filter does not cut out until main voltages exceed 580 V.

Supply frequency	50/60 Hz ±5%
	3.0% of rated supply voltage

Maximum imbalance temporary between mains phases where mitigation performance is kept high.	Filter mitigates at higher mains imbalance but harmonic mitigation performance is reduced
	10% with kept mitigation performance

Maximum THDv pre-distortion	Reduced performance for higher pre-distortion levels
-----------------------------	--

Harmonic mitigation performance

	Best performance <4%
THDi	Depending on filter vs. distortion ratio.
Individual harmonic mitigation ability:	Current maximum RMS [% of rated RMS current]
2 nd	10%
4 th	10%
5 th	70%
7 th	50%
8 th	10%
10 th	5%
11 th	32%
13 th	28%
14 th	4%
16 th	4%
17 th	20%
19 th	18%
20 th	3%
22 nd	3%
23 rd	16%
25 th	14%
Total current of harmonics	90%

The filter is performance tested to the 40th order

Reactive current compensation

Cos phi	Lagging and leading, depending on parameter settings
Cos phi	Controllable 1.0 to 0.5 lagging
Reactive current, % of filter current rating	100%

Generic specifications

Filter efficiency	97%
Typical average switching frequency	3.0–4.5 kHz
Response time (reactive and harmonic)	<0.5 ms
Settling time - reactive current control	<20 ms
Settling time - harmonic current control	<20 ms
Overshoot - reactive current control	<10%
Overshoot - harmonic current control	<10%

8.3.1 Derating for Altitude

The cooling capability of air is decreased at lower air pressure.

Below 1000 m altitude, no derating is necessary, but above 1000 m, derate the ambient temperature (T_{AMB}) or maximum output current (I_{out}) in accordance with *Illustration 8.10*.

An alternative is to lower the ambient temperature at high altitudes and thereby ensure 100% output current at high altitudes. As an example of how to read the graph, the situation at 2000 m is elaborated. At a temperature of 45 °C ($T_{AMB, MAX} - 3.3 K$), 91% of the rated output current is available. At a temperature of 41.7 °C, 100% of the rated output current is available.

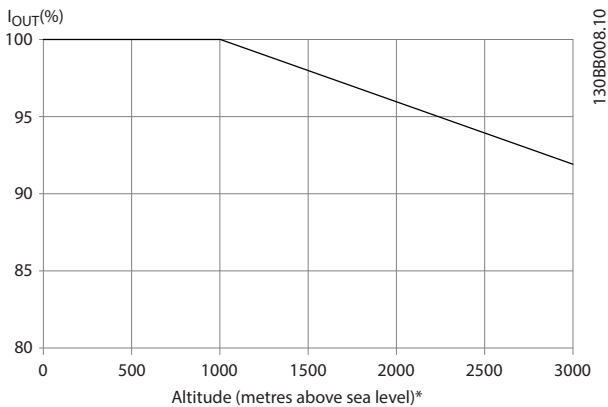


Illustration 8.10 Altitude Derating

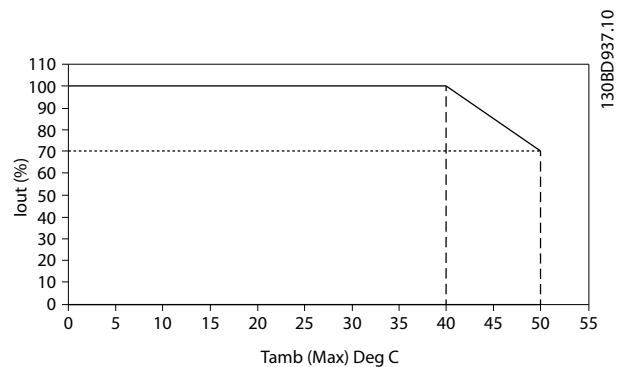


Illustration 8.11 Input/Output vs. Maximum Ambient Temperature

8.4 Fuses

Danfoss recommends using fuses and/or circuit breakers on the supply side as protection in case of component break-down inside the frequency converter (first fault).

NOTICE

Using fuses and/or circuit breakers ensures compliance with IEC 60364 for CE or NEC 2009 for UL.

Branch circuit protection

To protect the installation against electrical and fire hazard, all branch circuits in an installation, switch gear, machines, and so on, must be protected against short-circuit and overcurrent according to national/international regulations.

NOTICE

The recommendations do not cover branch circuit protection for UL.

Short-circuit protection

Danfoss recommends using the fuses/circuit breakers in *chapter 8.4.2 Fuse Tables* to protect service personnel and property in case of component break-down in the frequency converter.

8.4.1 Non-UL compliance

N132-N200	380-500 V	type gG
P250-P400	380-500 V	type gR

Non-UL compliance

If UL/cUL is not to be complied with, Danfoss recommends using the fuses in *Table 8.4*, which ensure compliance with EN50178:

Table 8.4 Recommended Fuses for non-UL Applications

8.4.2 Fuse Tables

UL Compliance

380-480 V, enclosure sizes D, E, and F

The fuses below are suitable for use on a circuit capable of delivering 100,000 Arms (symmetrical). With the proper fusing, the frequency converter short circuit current rating (SCCR) is 100000 Arms.

Size/Type	Bussmann	Littelfuse	Littelfuse PN	Bussmann PN	Siba PN	Ferraz/Shawmut Europ	Ferraz-Shawmut NA	Ferraz-Shawmut PN
160 kW	170M4012	LA50QS400-4	L50S-400	FWH-400A	20 610 31.400	6,9URD31D08A0400	A070URD31KI0400	A50QS400-4
200 kW	170M4015	LA50QS500-4	L50S-500	FWH-500A	20 610 31.550	6,9URD31D08A0550	A070URD31KI0550	A50QS500-4
250 kW	170M5012	LA50QS600-4	L50S-600	FWH-600A	20 610 31.630	6,9URD31D08A0630	A070URD31KI0630	A50QS600-4

Table 8.5 Enclosure size D, Mains Fuses, 380-480 V

Size/Type	Bussmann PN ¹⁾	Rating	Ferraz	Siba
315 kW	170M4017	700 A, 700 V	6.9URD33D08A0700	20 630 32.700
355 kW	170M6013	900 A, 700 V	6.9URD33D08A0900	20 630 32.900
400 kW	170M6013	900 A, 700 V	6.9URD33D08A0900	20 630 32.900
450 kW	170M6013	900 A, 700 V	6.9URD33D08A0900	20 630 32.900

Table 8.6 Enclosure size E, Mains Fuses, 380-480 V

Size/Type	Bussmann PN ¹⁾	Rating	Siba	Internal Bussmann option
500 kW	170M7081	1600 A, 700 V	20 695 32.1600	170M7082
560 kW	170M7081	1600 A, 700 V	20 695 32.1600	170M7082
630 kW	170M7082	2000 A, 700 V	20 695 32.2000	170M7082
710 kW	170M7082	2000 A, 700 V	20 695 32.2000	170M7082

Table 8.7 Enclosure size F, Mains Fuses, 380-480 V

Size/Type	Bussmann PN ¹⁾	Rating	Siba
500 kW	170M8611	1100 A, 1000 V	20 781 32.1000
560 kW	170M8611	1100 A, 1000 V	20 781 32.1000
630 kW	170M6467	1400 A, 700 V	20 681 32.1400
710 kW	170M6467	1400 A, 700 V	20 681 32.1400

Table 8.8 Enclosure Size F, Inverter Module DC-link Fuses, 380-480 V

1) 170M fuses from Bussmann shown use the -/80 visual indicator, -TN/80 Type T, -/110 or TN/110 Type T indicator fuses of the same size and amperage may be substituted for external use.

8.4.3 Supplementary Fuses

Supplementary fuses

Enclosure size	Bussmann PN	Rating
D, E, and F	KTK-4	4 A, 600 V

Table 8.9 SMPS Fuse

Size/Type	Bussmann PN	Littelfuse	Rating
355–710 kW, 380–480 V, 380–500 V		KLK-15	15 A, 600 V

Table 8.10 Fan Fuses

Size/Type		Bussmann PN	Rating	Alternative fuses
500–710 kW, 380–480 V	2.5–4.0 A	LPJ-6 SP or SPI	6 A, 600 V	Any listed class J dual element, time delay, 6A
500–710 kW, 380–480 V	4.0–6.3 A	LPJ-10 SP or SPI	10 A, 600 V	Any listed class J dual element, time delay, 10 A
500–710 kW, 380–480 V	6.3–10 A	LPJ-15 SP or SPI	15 A, 600 V	Any listed class J dual element, time delay, 15 A
500–710 kW, 380–480 V	10–16 A	LPJ-25 SP or SPI	25 A, 600 V	Any listed class J dual element, time delay, 25 A

Table 8.11 Manual Motor Controller Fuses

Enclosure size	Bussmann PN ¹⁾	Rating	Alternative fuses
F	LPJ-30 SP or SPI	30 A, 600 V	Any listed Class J dual element, time delay, 30 A

Table 8.12 30 A Fuse Protected Terminal Fuse

Enclosure size	Bussmann PN ¹⁾	Rating	Alternative fuses
F	LPJ-6 SP or SPI	6 A, 600 V	Any listed class J dual element, time delay, 6 A

Table 8.13 Control Transformer Fuse

Frame size	Bussmann PN ¹⁾	Rating
F	GMC-800MA	800 mA, 250 V

Table 8.14 NAMUR Fuse

Enclosure size	Bussmann PN ¹⁾	Rating	Alternative fuses
F	LP-CC-6	6 A, 600 V	Any listed class CC, 6 A

Table 8.15 Safety Relay Coil Fuse with PILS Relay

Enclosure size	Littelfuse PN	Rating
D, E, F	KLK-15	15 A, 600 V

Table 8.16 Mains Fuses (Power Card)

Enclosure size	Bussmann PN	Rating
D, E, F	FNQ-R-3	3 A, 600 V

Table 8.17 Transformer Fuse (Mains Contactor)

Enclosure size	Bussmann PN	Rating
D, E, F	FNQ-R-1	1 A, 600 V

Table 8.18 Soft Charge Fuses

1) 170M fuses from Bussmann shown use the -/80 visual indicator, -TN/80 Type T, -/110 or TN/110 Type T indicator fuses of the same size and amperage may be substituted for external use.

8.5 General Torque Tightening Values

For fastening hardware described in this manual, use the torque values in *Table 8.19*. These values are not intended for fastening IGBTs. See the instructions included with those replacement parts for correct values.

Shaft size	Driver size torx/hex [mm]	Torque [Nm]	Torque [in-lbs]
M4	T-20/7	1.0	10
M5	T-25/8	2.3	20
M6	T-30/10	4.0	35
M8	T-40/13	9.6	85
M10	T-50/17	19.2	170
M12	18/19	19	170

Table 8.19 Torque Values

9 Appendix A - Parameters

9.1 Description of Parameters

9.1.1 Main Menu

The main menu includes all available parameters in the frequency converter. All parameters are grouped by name indicating the function of the parameter group. All parameters are listed by name and number in this manual.

9.2 Frequency Converter Parameter Lists

0-0*	Operation / Display	1-10	Motor Construction	1-82	Min Speed for Function at Stop [Hz]	4-17	Torque Limit Generator Mode	5-57	Term. 33 Low Ref./Feedb. Value
0-0*	Basic Settings	1-1*	VVC+ PM/SYN RM	1-86	Compressor Min. Speed for Trip [RPM]	4-18	Current Limit	5-58	Term. 33 High Ref./Feedb. Value
0-01	Language	1-14	Damping Gain	1-87	Compressor Min. Speed for Trip [Hz]	4-19	Max Output Frequency	5-59	Pulse Filter Time Constant #33
0-02	Motor Speed Unit	1-15	Low Speed Filter Time Const.	1-9*	Motor Temperature	4-5*	Adj. Warnings	5-6*	Pulse Output
0-03	Regional Settings	1-16	High Speed Filter Time Const.	1-90	Motor Thermal Protection	4-50	Warning Current Low	5-60	Terminal 27 Pulse Output Variable
0-04	Operating State at Power-up	1-17	Voltage filter time const.	1-91	Motor External Fan	4-51	Warning Current High	5-62	Pulse Output Max Freq #27
0-05	Local Mode Unit	1-2*	Motor Data	1-93	Thermistor Source	4-52	Warning Speed Low	5-63	Terminal 29 Pulse Output Variable
0-10	Active Set-up	1-20	Motor Power [kW]	2-0*	Brakes	4-53	Warning Speed High	5-65	Pulse Output Max Freq #29
0-11	Programming Set-up	1-21	Motor Power [HP]	2-00	DC Hold/Preheat Current	4-54	Warning Reference Low	5-66	Terminal X30/6 Pulse Output Variable
0-12	This Set-up Linked to	1-23	Motor Voltage	2-01	DC Brake Current	4-55	Warning Reference High	5-68	Pulse Output Max Freq #X30/6
0-13	Readout: Linked Set-ups	1-24	Motor Frequency	2-02	DC Brake Time	4-56	Warning Feedback Low	5-8*	I/O Options
0-14	Readout: Prog. Set-ups / Channel	1-25	Motor Current	2-02	DC Braking Time	4-57	Warning Feedback High	5-80	AHF Cap Reconnect Delay
0-20	Display Line 1.1 Small	1-26	Motor Nominal Speed	2-03	DC Brake Cut In Speed [RPM]	4-58	Missing Motor Phase Function	5-9*	Bus Controlled
0-21	Display Line 1.2 Small	1-28	Motor Rotation Check	2-06	Parking Current	4-60	Speed Bypass	5-90	Digital & Relay Bus Control
0-22	Display Line 1.3 Small	1-29	Automatic Motor Adaptation (AMA)	2-07	Parking Time	4-61	Bypass Speed From [RPM]	5-93	Pulse Out #27 Bus Control
0-23	Display Line 2 Large	1-30	Stator Resistance (Rs)	2-10	Brake Function	4-62	Bypass Speed From [Hz]	5-94	Pulse Out #27 Timeout Preset
0-24	Display Line 3 Large	1-31	Rotor Resistance (Rr)	2-16	AC brake Max. Current	4-63	Bypass Speed To [RPM]	5-95	Pulse Out #29 Bus Control
0-25	My Personal Menu	1-35	Main Reactance (Xh)	2-17	Over-voltage Control	4-64	Bypass Speed To [Hz]	5-96	Pulse Out #29 Timeout Preset
0-3*	LCP Custom Readout	1-36	Iron Loss Resistance (Rfe)	3-0*	Reference / Ramps	5-5*	Semi-Auto Bypass Set-up	5-98	Pulse Out #X30/6 Bus Control
0-30	Custom Readout Unit	1-37	d-axis Inductance (Ld)	3-0*	Reference Limits	5-0*	Digital I/O mode	6-0*	Analog In/Out
0-31	Custom Readout Min Value	1-38	q-axis Inductance (Lq)	3-02	Minimum Reference	5-00	Digital I/O Mode	6-00	Analog I/O Mode
0-32	Custom Readout Max Value	1-39	Motor Poles	3-03	Maximum Reference	5-01	Terminal 27 Mode	6-01	Live Zero Timeout Function
0-37	Display Text 1	1-40	Back EMF at 1000 RPM	3-04	Reference Function	5-02	Terminal 29 Mode	6-1*	Analog Input 53
0-38	Display Text 2	1-41	Motor Angle Offset	3-1*	References	5-10	Digital Inputs	6-10	Terminal 53 Low Voltage
0-39	Display Text 3	1-44	d-axis Inductance Sat. (LdSat)	3-10	Preset Reference	5-11	Terminal 18 Digital Input	6-11	Terminal 53 High Voltage
0-40	[Hand on] Key on LCP	1-45	q-axis Inductance Sat. (LqSat)	3-11	Jog Speed [Hz]	5-12	Terminal 19 Digital Input	6-12	Terminal 53 Low Current
0-41	[Off] Key on LCP	1-46	Position Detection Gain	3-13	Reference Site	5-13	Terminal 29 Digital Input	6-13	Terminal 53 High Current
0-42	[Auto on] Key on LCP	1-47	Torque Calibration	3-14	Preset Relative Reference	5-14	Terminal 32 Digital Input	6-14	Terminal 53 Low Ref./Feedb. Value
0-43	[Reset] Key on LCP	1-48	Inductance Sat. Point	3-15	Reference 1 Source	5-15	Terminal 33 Digital Input	6-15	Terminal 53 High Ref./Feedb. Value
0-5*	Copy/Save	1-50	Motor Magnetisation at Zero Speed	3-16	Reference 2 Source	5-16	Terminal X30/2 Digital Input	6-16	Terminal 53 Filter Time Constant
0-50	LCP Copy	1-51	Min Speed Normal Magnetising [RPM]	3-17	Reference 3 Source	5-17	Terminal X30/3 Digital Input	6-17	Terminal 53 Live Zero
0-51	Set-up Copy	1-52	Min Speed Normal Magnetising [Hz]	3-19	Jog Speed [RPM]	5-18	Terminal X30/4 Digital Input	6-2*	Analog Input 54
0-6*	Password	1-58	Flying Start Test Pulses Current	3-4*	Ramp 1	5-19	Terminal 37 Safe Stop	6-20	Terminal 54 Low Voltage
0-61	Access to Main Menu w/o Password	1-59	Flying Start Test Pulses Frequency	3-41	Ramp 1 Ramp Up Time	5-20	Terminal X46/1 Digital Input	6-21	Terminal 54 High Voltage
0-65	Personal Menu Password	1-6*	Load Depen. Setting	3-42	Ramp 1 Ramp Down Time	5-21	Terminal X46/3 Digital Input	6-22	Terminal 54 Low Current
0-66	Access to Personal Menu w/o Password	1-61	Low Speed Load Compensation	3-5*	Ramp 2	5-22	Terminal X46/5 Digital Input	6-23	Terminal 54 High Current
0-67	Bus Password Access	1-62	High Speed Load Compensation	3-51	Ramp 2 Ramp Up Time	5-23	Terminal X46/7 Digital Input	6-24	Terminal 54 Low Ref./Feedb. Value
0-7*	Clock Settings	1-63	Slip Compensation Time Constant	3-52	Ramp 2 Ramp Down Time	5-24	Terminal X46/9 Digital Input	6-25	Terminal 54 High Ref./Feedb. Value
0-70	Set Date and Time	1-64	Resonance Dampening	3-8*	Other Ramps	5-25	Terminal X46/11 Digital Input	6-26	Terminal 54 Filter Time Constant
0-71	Date Format	1-65	Resonance Dampening Time Constant	3-80	Jog Ramp Time	5-26	Terminal X46/13 Digital Input	6-27	Terminal 54 Live Zero
0-72	Time Format	1-66	Min. Current at Low Speed	3-81	Quick Stop Ramp Time	5-3*	Digital Outputs	6-3*	Analog Input X30/11
0-74	DST/Summertime	1-7*	Start Adjustments	3-82	Starting Ramp Up Time	5-30	Terminal 27 Digital Output	6-30	Terminal X30/11 Low Voltage
0-76	DST/Summertime Start	1-70	PM Start Mode	3-9*	Digital Pot./Meter	5-31	Terminal 29 Digital Output	6-31	Terminal X30/11 High Voltage
0-77	DST/Summertime End	1-71	Start Delay	3-90	Step Size	5-32	Term X30/6 Digi Out (MCB 101)	6-34	Term. X30/11 Low Ref./Feedb. Value
0-79	Clock Fault	1-72	Start Function	3-91	Ramp Time	5-33	Term X30/7 Digi Out (MCB 101)	6-35	Term. X30/11 High Ref./Feedb. Value
0-81	Working Days	1-73	Flying Start	3-92	Power Restore	5-4*	Relays	6-36	Term. X30/11 Filter Time Constant
0-83	Additional Non-Working Days	1-74	Start Speed [RPM]	3-93	Minimum Limit	5-40	Function Relay	6-37	Term. X30/11 Live Zero
0-89	Date and Time Readout	1-75	Start Speed [Hz]	3-94	Minimum Limit	5-41	On Delay, Relay	6-4*	Analog Input X30/12
1-1**	Load and Motor	1-76	Start Current	3-95	Ramp Delay	5-42	Off Delay, Relay	6-40	Terminal X30/12 Low Voltage
1-0*	General Settings	1-77	Compressor Start Max Speed [RPM]	4-1*	Motor Limits / Warnings	5-5*	Pulse Input	6-41	Terminal X30/12 High Voltage
1-00	Configuration Mode	1-78	Compressor Start Max Speed [Hz]	4-10	Motor Speed Direction	5-50	Term. 29 Low Frequency	6-44	Term. X30/12 Low Ref./Feedb. Value
1-03	Torque Characteristics	1-79	Compressor Start Max Time to Trip	4-11	Motor Speed Low Limit [RPM]	5-51	Term. 29 High Frequency	6-45	Term. X30/12 High Ref./Feedb. Value
1-06	Clockwise Direction	1-8*	Stop Adjustments	4-12	Motor Speed Low Limit [Hz]	5-52	Term. 29 Low Ref./Feedb. Value	6-46	Term. X30/12 Filter Time Constant
1-1*	Motor Selection	1-80	Function at Stop	4-13	Motor Speed High Limit [RPM]	5-53	Pulse Filter Time Constant #29	6-47	Term. X30/12 Live Zero
		1-81	Min Speed for Function at Stop [RPM]	4-14	Motor Speed High Limit [Hz]	5-54	Term. 33 Low Frequency	6-5*	Analog Output 42
				4-16	Torque Limit Motor Mode	5-55	Term. 33 High Frequency	6-50	Terminal 42 Output
						5-56	Term. 33 High Frequency	6-51	Terminal 42 Output Min Scale

6-52	Terminal 42 Output Max Scale	8-82	Slave Message Count	12-05	Lease Expires	14-03	Overmodulation	15-22	Historic Log: Time
6-53	Terminal 42 Output Bus Control	8-83	Slave Error Count	12-06	Name Servers	14-04	PWM Random	15-23	Historic log: Date and Time
6-54	Terminal 42 Output Timeout Preset	8-9*	Bus Jog / Feedback	12-07	Domain Name	14-1*	Mains On/Off	15-3*	Alarm Log
6-60	Analog Output X30/8	8-90	Bus Jog 1 Speed	12-08	Host Name	14-10	Mains Failure	15-30	Alarm Log: Error Code
6-61	Terminal X30/8 Output	8-91	Bus Jog 2 Speed	12-09	Physical Address	14-11	Mains Voltage at Mains Fault	15-31	Alarm Log: Value
6-62	Terminal X30/8 Min. Scale	8-94	Bus Feedback 1	12-1*	Ethernet Link Parameters	14-12	Function at Mains Imbalance	15-32	Alarm Log: Time
6-63	Terminal X30/8 Max. Scale	8-95	Bus Feedback 2	12-10	Link Status	14-16	Kin. Backup Gain	15-33	Alarm Log: Date and Time
6-64	Terminal X30/8 Output Bus Control	8-96	Bus Feedback 3	12-11	Link Duration	14-2*	Reset Functions	15-34	Alarm Log: Status
6-64	Terminal X30/8 Output Timeout Preset	9-**	PROFdrive	12-12	Auto Negotiation	14-20	Reset Mode	15-35	Alarm Log: Alarm Text
6-70	Analog Output X45/1	9-00	Setpoint	12-13	Link Speed	14-21	Automatic Restart Time	15-4*	Drive Identification
6-71	Terminal X45/1 Output	9-07	Actual Value	12-14	Link Duplex	14-22	Operation Mode	15-40	FC Type
6-71	Terminal X45/1 Min. Scale	9-15	PCD Write Configuration	12-8*	Other Ethernet Services	14-23	Typecode Setting	15-41	Power Section
6-72	Terminal X45/1 Max. Scale	9-16	PCD Read Configuration	12-80	FTP Server	14-25	Trip Delay at Torque Limit	15-42	Voltage
6-73	Terminal X45/1 Bus Control	9-18	Node Address	12-81	HTTP Server	14-26	Trip Delay at Inverter Fault	15-43	Software Version
6-74	Terminal X45/1 Output Timeout Preset	9-22	Telegram Selection	12-82	SMTP Service	14-28	Production Settings	15-44	Ordered Typecode String
6-80	Analog Output X45/3	9-23	Parameters for Signals	12-9*	Advanced Ethernet Services	14-29	Service Code	15-45	Actual Typecode String
6-81	Terminal X45/3 Output	9-27	Parameter Edit	12-90	Cable Diagnostic	14-30	Current Lim Ctrl. Proportional Gain	15-46	Frequency Converter Ordering No
6-81	Terminal X45/3 Min. Scale	9-28	Process Control	12-91	Auto Cross Over	14-31	Current Lim Ctrl. Integration Time	15-47	Power Card Ordering No
6-82	Terminal X45/3 Max. Scale	9-44	Fault Message Counter	12-92	IGMP Snooping	14-31	Current Lim Ctrl. Integration Time	15-48	LCP Id No
6-83	Terminal X45/3 Bus Control	9-45	Fault Code	12-93	Cable Error Length	14-40	VT Level	15-50	SW ID Power Card
6-84	Terminal X45/3 Output Timeout Preset	9-47	Fault Number	12-94	Broadcast Storm Protection	14-41	AEO Minimum Magnetisation	15-51	Frequency Converter Serial Number
8-0*	General and Options	9-52	Fault Situation Counter	12-95	Broadcast Storm Filter	14-42	Minimum AEO Frequency	15-53	Power Card Serial Number
8-01	Control Site	9-63	Actual Baud Rate	12-96	Port Config	14-43	Motor Cosphi	15-6*	Option Ident
8-02	Control Source	9-64	Device Identification	12-98	Interface Counters	14-5*	Environment	15-60	Option Mounted
8-03	Control Timeout Time	9-65	Profile Number	13-**	Smart Logic	14-50	RFI Filter	15-61	Option SW Version
8-04	Control Timeout Function	9-67	Control Word 1	13-0*	SLC Settings	14-51	DC Link Compensation	15-62	Option Ordering No
8-05	End-of-Timeout Function	9-68	Status Word 1	13-00	SL Controller Mode	14-52	Fan Control	15-63	Option Serial No
8-06	Reset Control Timeout	9-70	Profibus Set-up	13-01	Start Event	14-53	Fan Monitor	15-70	Option in Slot A
8-07	Diagnosis Trigger	9-71	Profibus Save Data Values	13-02	Stop Event	14-55	Output Filter	15-71	Slot A Option SW Version
8-1*	Control Settings	9-72	ProfibusDriverReset	13-03	Reset SLC	14-59	Actual Number of Inverter Units	15-72	Option in Slot B
8-10	Control Profile	9-75	DO Identification	13-1*	Comparators	14-6*	Auto Derate	15-73	Slot B Option SW Version
8-13	Configurable Status Word STW	9-80	Defined Parameters (1)	13-10	Comparator Operand	14-60	Function at Over Temperature	15-74	Option in Slot C0/E0
8-16	Store Data Values	9-81	Defined Parameters (2)	13-11	Comparator Operator	14-61	Function at Inverter Overload	15-75	Slot C0/E0 Option SW Version
8-3*	FC Port Settings	9-82	Defined Parameters (3)	13-12	Comparator Operator Value	14-62	Inv. Overload Derate Current	15-76	Option in Slot C1/E1
8-30	Protocol	9-83	Defined Parameters (4)	13-2*	Timers	14-8*	Options	15-77	Slot C1/E1 Option SW Version
8-31	Address	9-84	Defined Parameters (5)	13-20	SL Controller Timer	14-80	Option Supplied by External 24VDC	15-8*	Operating Data II
8-32	Baud Rate	9-85	Defined Parameters (6)	13-4*	Logic Rules	14-90	Fault Level	15-80	Fan Running Hours
8-33	Parity / Stop Bits	9-90	Changed Parameters (1)	13-40	Logic Rule Boolean 1	14-90	Fault Level	15-81	Preset Fan Running Hours
8-35	Minimum Response Delay	9-91	Changed Parameters (2)	13-41	Logic Rule Operator 1	15-0*	Drive Information	15-9*	Parameter Info
8-36	Maximum Response Delay	9-92	Changed Parameters (3)	13-42	Logic Rule Boolean 2	15-00	Operating hours	15-92	Defined Parameters
8-37	Maximum Inter-Char Delay	9-93	Changed Parameters (4)	13-43	Logic Rule Operator 2	15-01	Running Hours	15-93	Modified Parameters
8-4*	Adv. Protocol Set.	9-94	Changed Parameters (5)	13-44	Logic Rule Boolean 3	15-02	kWh Counter	15-99	Parameter Metadata
8-40	Telegram Selection	9-99	Profibus Revision Counter	13-5*	States	15-02	kWh Counter	16-**	Data Readouts
8-42	PCD Write Configuration	11-**	LonWorks	13-51	SL Controller Event	15-03	Power Up's	16-0*	General Status
8-43	PCD Read Configuration	11-2*	LON Param. Access	13-51	SL Controller Action	15-04	Over Temp's	16-00	Control Word
8-45	BTM Transaction Command	11-21	Store Data Values	13-52	SL Controller Action	15-05	Over Volt's	16-01	Reference [Unit]
8-46	BTM Transaction Status	11-9*	AK LonWorks	13-9*	User Defined Alerts	15-06	Reset kWh Counter	16-02	Reference [%]
8-47	BTM Timeout	11-90	VLT Network Address	13-90	Alert Trigger	15-07	Reset Running Hours Counter	16-03	Status Word
8-5*	Digital/Bus	11-91	AK Service Pin	13-91	Alert Action	15-08	Number of Starts	16-05	Main Actual Value [%]
8-50	Coasting Select	11-98	Alarm Text	13-92	Alert Text	15-1*	Data Log Settings	16-09	Custom Readout
8-52	DC Brake Select	11-99	Alarm Status	13-9*	User Defined Readouts	15-10	Logging Source	16-1*	Motor Status
8-53	Start Select	12-**	Ethernet	13-97	Alert Alarm Word	15-11	Logging Interval	16-10	Power [kW]
8-54	Reversing Select	12-0*	IP Settings	13-98	Alert Warning Word	15-12	Trigger Event	16-11	Power [hp]
8-55	Set-up Select	12-00	IP Address Assignment	13-99	Alert Status Word	15-13	Logging Mode	16-12	Motor Voltage
8-56	Preset Reference Select	12-01	IP Address	14-**	Special Functions	15-14	Samples Before Trigger	16-13	Frequency
8-8*	FC Port Diagnostics	12-02	Subnet Mask	14-0*	Inverter Switching	15-2*	Historic Log	16-14	Motor current
8-80	Bus Message Count	12-03	Default Gateway	14-00	Switching Pattern	15-20	Historic Log: Event	16-15	Frequency [%]
8-81	Bus Error Count	12-04	DHCP Server	14-01	Switching Frequency	15-21	Historic Log: Value	16-16	Torque [Nm]



16-17	Speed [RPM]	20-96	PID Diff. Gain Limit	21-64	Ext. 3 Dif. Gain Limit	22-89	Flow at Design Point
16-18	Motor Thermal	21-64	PID Diff. Gain Limit	21-70	Ext. Feeds, Adv. Conversion	22-90	Flow at Rated Speed
16-22	Torque [%]	21-00	Ext. CL Autotuning	21-71	Refrigerant	23-00*	Time-based Functions
16-24	Calibrated Stator Resistance	21-01	Closed Loop Type	21-72	User Defined Refrigerant A1	23-00*	Timed Actions
16-3*	Drive Status	21-02	PID Performance	21-73	User Defined Refrigerant A2	23-01	ON Time
16-30	DC Link Voltage	21-03	PID Output Change	21-73	User Defined Refrigerant A3	23-01	ON Action
16-32	Brake Energy /s	21-03	Minimum Feedback Level	22-0*	Appl. Functions	23-02	OFF Time
16-33	Brake Energy /2 min	21-04	Maximum Feedback Level	22-0*	Miscellaneous	23-03	OFF Action
16-34	Heatsink Temp.	21-09	PID Autotuning	22-00	External Interlock Delay	23-04	Occurrence
16-35	Inverter Thermal	21-1*	Ext. CL 1 Ref./Fb.	22-2*	No-Flow Detection	23-1*	Maintenance
16-36	Inv. Nom. Current	21-10	Ext. 1 Ref./Feedback Unit	22-20	Low Power Auto Set-up	23-10	Maintenance Item
16-37	Inv. Max. Current	21-11	Ext. 1 Minimum Reference	22-21	Low Power Detection	23-11	Maintenance Action
16-38	SL Controller State	21-12	Ext. 1 Maximum Reference	22-22	Low Speed Detection	23-12	Maintenance Time Base
16-39	Control Card Temp.	21-13	Ext. 1 Reference Source	22-23	No-Flow Function	23-13	Maintenance Time Interval
16-40	Logging Buffer Full	21-14	Ext. 1 Feedback Source	22-24	No-Flow Delay	23-14	Maintenance Date and Time
16-41	LCP Bottom Statusline	21-15	Ext. 1 Setpoint	22-26	Dry Pump Function	23-1*	Maintenance Reset
16-49	Current Fault Source	21-16	Ext. 1 PID Conversion	22-27	Dry Pump Delay	23-15	Reset Maintenance Word
16-5*	Ref. & Feeds.	21-17	Ext. 1 Reference [Unit]	22-3*	No-Flow Power Tuning	23-16	Maintenance Text
16-50	External Reference	21-18	Ext. 1 Feedback [Unit]	22-30	No-Flow Power	23-5*	Energy Log
16-52	Feedback[Unit]	21-19	Ext. 1 Source Unit	22-30	Power Correction Factor	23-50	Energy Log Resolution
16-53	Digi Pot Reference	21-2*	Ext. CL 1 PID	22-32	Low Speed [RPM]	23-51	Period Start
16-54	Feedback 1 [Unit]	21-20	Ext. 1 Normal/Inverse Control	22-33	Low Speed [Hz]	23-53	Energy Log
16-55	Feedback 2 [Unit]	21-21	Ext. 1 Proportional Gain	22-34	Low Speed Power [kW]	23-54	Reset Energy Log
16-56	Feedback 3 [Unit]	21-22	Ext. 1 Integral Time	22-35	Low Speed Power [HP]	23-6*	Trending
16-6*	Inputs & Outputs	21-23	Ext. 1 Differentiation Time	22-36	High Speed [RPM]	23-60	Trend Variable
16-60	Digital Input	21-24	Ext. 1 Gain Limit	22-37	High Speed [Hz]	23-61	Continuous Bin Data
16-61	Terminal 53 Switch Setting	21-3*	Ext. CL 2 Ref./Fb.	22-38	High Speed Power [kW]	23-62	Timed Bin Data
16-62	Analog Input 53	21-30	Ext. 2 Ref./Feedback Unit	22-39	High Speed Power [HP]	23-63	Timed Period Start
16-63	Terminal 54 Switch Setting	21-31	Ext. 2 Minimum Reference	22-4*	Sleep Mode	23-64	Timed Period Stop
16-64	Analog Input 54	21-32	Ext. 2 Maximum Reference	22-40	Minimum Run Time	23-65	Minimum Bin Value
16-65	Analog Output 42 [mA]	21-33	Ext. 2 Reference Source	22-41	Minimum Sleep Time	23-66	Reset Continuous Bin Data
16-66	Digital Output [bin]	21-34	Ext. 2 Reference Source	22-42	Wake-up Speed [RPM]	23-67	Reset Timed Bin Data
16-67	Pulse Input #29 [Hz]	21-35	Ext. 2 Setpoint	22-43	Wake-up Speed [Hz]	23-8*	Payback Counter
16-68	Pulse Input #33 [Hz]	21-36	Ext. 2 PID Conversion	22-44	Wake-up Ref./FB Difference	23-80	Power Reference Factor
16-69	Pulse Output #27 [Hz]	21-37	Ext. 2 Reference [Unit]	22-45	Setpoint Boost	23-81	Energy Cost
16-70	Pulse Output #29 [Hz]	21-38	Ext. 2 Feedback [Unit]	22-46	Maximum Boost Time	23-82	Investment
16-71	Relay Output [bin]	21-39	Ext. 2 Output [%]	22-5*	End of Curve	23-83	Energy Savings
16-72	Counter A	21-4*	Ext. CL 2 PID	22-50	End of Curve Function	23-84	Cost Savings
16-73	Counter B	21-40	Ext. 2 Normal/Inverse Control	22-51	End of Curve Delay	25-0*	System Settings
16-75	Analog In X30/11	21-41	Ext. 2 Proportional Gain	22-51	Broken Belt Detection	25-00	System Settings
16-76	Analog In X30/12	21-42	Ext. 2 Integral Time	22-60	Broken Belt Function	25-00	Motor Start
16-77	Analog Out X30/8 [mA]	21-43	Ext. 2 Differentiation Time	22-61	Broken Belt Torque	25-04	Pump Cycling
16-78	Analog Out X45/1 [mA]	21-44	Ext. 2 Dif. Gain Limit	22-62	Broken Belt Delay	25-05	Fixed Lead Compressor
16-79	Analog Out X45/3 [mA]	21-5*	Ext. CL 3 Ref./Fb.	22-7*	Short Cycle Protection	25-06	Number of Compressors
16-8*	Fieldbus & FC Port	21-50	Ext. 3 Ref./Feedback Unit	22-75	Short Cycle Protection Interval between Starts	25-2*	Zone Settings
16-80	Fieldbus CTW 1	21-51	Ext. 3 Minimum Reference	22-77	Minimum Run Time	25-20	Neutral Zone [unit]
16-82	Fieldbus REF 1	21-52	Ext. 3 Maximum Reference	22-78	Minimum Run Time Override	25-21	+ Zone [unit]
16-84	Comm. Option STW	21-53	Ext. 3 Reference Source	22-79	Minimum Run Time Override Value	25-22	- Zone [unit]
16-85	FC Port CTW 1	21-54	Ext. 3 Feedback Source	22-8*	Flow Compensation	25-23	Fixed Speed neutral Zone [unit]
16-86	FC Port REF 1	21-55	Ext. 3 Setpoint	22-80	Flow Compensation	25-24	+ Zone Delay
16-9*	Diagnosis Readouts	21-56	Ext. 3 PID Conversion	22-81	Square-linear Curve Approximation	25-25	- Zone Delay
16-90	Alarm Word	21-57	Ext. 3 Reference [Unit]	22-82	Work Point Calculation	25-26	++ Zone Delay
16-91	Alarm Word 2	21-58	Ext. 3 Feedback [Unit]	22-83	Speed at No-Flow [RPM]	25-27	-- Zone Delay
16-92	Warning Word	21-59	Ext. 3 Output [%]	22-84	Speed at No-Flow [Hz]	25-28	Override Bandwidth Ramp Time
16-93	Warning Word 2	21-6*	Ext. CL 3 PID	22-85	Speed at Design Point [RPM]	25-3*	Staging Functions
16-94	Ext. Status Word	21-60	Ext. 3 Normal/Inverse Control	22-86	Speed at Design Point [Hz]	25-30	Design At No-Flow
16-95	Ext. Status Word 2	21-61	Ext. 3 Proportional Gain	22-87	Pressure at No-Flow Speed	25-31	Stage Function
16-96	Maintenance Word	21-62	Ext. 3 Integral Time	22-88	Pressure at Rated Speed	25-32	Stage Function Time
16-99	Ext. Status Word 3	21-63	Ext. 3 Differentiation Time				

25-33	Destage Function	26-40	Terminal X42/7 Output	30-30	Pressure Transmitter
25-34	Destage Function Time	26-41	Terminal X42/7 Min. Scale	30-31	Pressure Conversion
25-4*	Staging Settings	26-42	Terminal X42/7 Max. Scale	30-32	Pressure Source Unit
25-42	Staging Threshold	26-43	Terminal X42/7 Bus Control	30-33	Temperature Unit
25-43	Destaging Threshold	26-5*	Analog Out X42/9	30-34	High Pres. Stop
25-44	Staging Speed [RPM]	26-50	Terminal X42/9 Output	30-35	High Pres. Start
25-45	Staging Speed [Hz]	26-51	Terminal X42/9 Min. Scale	30-36	Low Pres. Stop
25-46	Destaging Speed [RPM]	26-52	Terminal X42/9 Max. Scale	30-37	Low Pres. Start
25-47	Destaging Speed [Hz]	26-53	Terminal X42/9 Bus Control	30-38	Pressure 1
25-5*	Alternation Settings	26-54	Terminal X42/9 Timeout Preset	30-4*	High/Low Pres. Stop 2
25-50	Lead Pump Alternation	26-6*	Analog Out X42/11	30-41	Pressure Conversion
25-51	Alternation Event	26-60	Terminal X42/11 Output	30-42	Pressure Source Unit
25-52	Alternation Time Interval	26-61	Terminal X42/11 Min. Scale	30-43	Temperature Unit
25-53	Alternation Timer Value	26-62	Terminal X42/11 Max. Scale	30-44	High Pres. Stop
25-54	Alternation Predefined Time	26-63	Terminal X42/11 Bus Control	30-45	High Pres. Start
25-55	Alternate If Load < 50%	26-64	Terminal X42/11 Timeout Preset	30-46	Low Pres. Stop
25-56	Staging Mode at Alternation	28-**	Compressor Functions	30-47	Low Pres. Start
25-58	Run Next Pump Delay	28-1*	Oil Return Management	30-48	Pressure 2
25-59	Run on Mains Delay	28-10	Oil Return Management	30-4*	High/Low Pres. Ramp
25-8*	Status	28-11	Low Speed Running Time	30-49	Pressure Stop Ramp Time
25-80	Pack Status	28-12	Fixed Boost Interval		
25-81	Compressor Status	28-13	Boost Duration		
25-82	Lead Compressor	28-14	Adequate oil return speed [RPM]		
25-83	Relay Status	28-15	Adequate oil return speed [Hz]		
25-84	Compressor ON Time	28-16	Oil boost speed [RPM]		
25-85	Relay ON Time	28-17	Oil boost speed [Hz]		
25-86	Reset Relay Counters	28-18	Cancel oil boost at low feedback		
25-87	Inverse Interlock	28-19	Cancel oil boost at high feedback		
25-88	Pack capacity [%]	28-2*	Discharge Temperature Monitor		
25-9*	Service	28-20	Temperature Source		
25-90	Compressor Interlock	28-21	Temperature Unit		
25-91	Manual Alternation	28-22	Warning Level		
26-**	Analog I/O Option	28-23	Warning Action		
26-0*	Analog I/O Mode	28-24	Emergency Level		
26-00	Terminal X42/1 Mode	28-25	Discharge Temperature		
26-01	Terminal X42/3 Mode	28-7*	Day/Night Settings		
26-02	Terminal X42/5 Mode	28-71	Day/Night Bus Indicator		
26-1*	Analog Input X42/1	28-72	Enable Day/Night Via Bus		
26-10	Terminal X42/1 Low Voltage	28-73	Night Setback		
26-11	Terminal X42/1 High Voltage	28-74	Night Speed Drop [RPM]		
26-14	Term. X42/1 Low Ref./Feedb. Value	28-75	Night Speed Drop Override		
26-15	Term. X42/1 High Ref./Feedb. Value	28-76	Night Speed Drop [Hz]		
26-16	Term. X42/1 Filter Time Constant	28-8*	P0 Optimization		
26-17	Term. X42/1 Live Zero	28-81	dP0 Offset		
26-2*	Analog Input X42/3	28-82	P0		
26-20	Terminal X42/3 Low Voltage	28-83	P0 Setpoint		
26-21	Terminal X42/3 High Voltage	28-84	P0 Reference		
26-24	Term. X42/3 Low Ref./Feedb. Value	28-85	P0 Minimum Reference		
26-25	Term. X42/3 High Ref./Feedb. Value	28-86	P0 Maximum Reference		
26-26	Term. X42/3 Filter Time Constant	28-87	Most Loaded Controller		
26-27	Term. X42/3 Live Zero	28-9*	Injection Control		
26-3*	Analog Input X42/5	28-90	Injection On		
26-30	Terminal X42/5 Low Voltage	28-91	Delayed Compressor Start		
26-31	Terminal X42/5 High Voltage	30-**	Special Features		
26-34	Term. X42/5 Low Ref./Feedb. Value	30-2*	Adv. Start Adjust		
26-35	Term. X42/5 High Ref./Feedb. Value	30-22	Locked Rotor Protection		
26-36	Term. X42/5 Filter Time Constant	30-23	Locked Rotor Detection Time [s]		
26-37	Term. X42/5 Live Zero	30-3*	High/Low Pres. Stop 1		
26-4*	Analog Out X42/7				

9.3 Active Filter Parameter Lists

9.3.1 Default Settings

Changes during operation:

True means that the parameter can be changed while the active filter is in operation, and *False* means that the unit must be stopped before a change can be made.

4-Set-up:

All set-up: The parameter can be set individually in each of the 4 set-ups, (1 single parameter can have 4 different data values).

1 set-up: Data value is the same in all set-ups.

SR:

Size-related.

N/A:

No default value available.

Conversion index:

This number refers to a conversion figure used when writing or reading with an active filter.

Conv. index	100	75	74	70	67	6	5	4	3	2	1	0	-1	-2	-3	-4	-5	-6
Conv. factor	1	3600000	3600	60	1/60	1000000	100000	10000	1000	100	10	1	0.1	0.01	0.001	0.0001	0.00001	0.000001

Table 9.1 Conversion Index

Data type	Description	Type
2	Integer 8	Int8
3	Integer 16	Int16
4	Integer 32	Int32
5	Unsigned 8	UInt8
6	Unsigned 16	UInt16
7	Unsigned 32	UInt32
9	Visible string	VisStr
33	Normalised value 2 bytes	N2
35	Bit sequence of 16 boolean variables	V2
54	Time difference without date	TimD

Table 9.2 Data Type and Description

9.3.2 0-** Operation/Display

Par. No. #	Parameter description	Default value	4-set-up	Change during operation	Conversion index	Type
0-0* Basic Settings						
0-01	Language	[0] English	1 set-up	TRUE	-	Uint8
0-04	Operating state at power-up (hand)	[1] Forced stop	All set-ups	TRUE	-	Uint8
0-1* Set-up Operations						
0-10	Active set-up	[1] Set-up 1	1 set-up	TRUE	-	Uint8
0-11	Edit set-up	[1] Set-up 1	All set-ups	TRUE	-	Uint8
0-12	This set-up linked to	[0] Not linked	All set-ups	FALSE	-	Uint8
0-13	Readout: Linked set-ups	0 N/A	All set-ups	FALSE	0	Uint16
0-14	Readout: Edit set-ups/channel	0 N/A	All set-ups	TRUE	0	Int32
0-2* LCP Display						
0-20	Display Line 1.1 small	30112	All set-ups	TRUE	-	Uint16
0-21	Display Line 1.2 small	30110	All set-ups	TRUE	-	Uint16
0-22	Display Line 1.3 small	30120	All set-ups	TRUE	-	Uint16
0-23	Display Line 2 large	30100	All set-ups	TRUE	-	Uint16
0-24	Display Line 3 large	30121	All set-ups	TRUE	-	Uint16
0-25	My personal menu	ExpressionLimit	1 set-up	TRUE	0	Uint16
0-4* LCP Keypad						
0-40	[Hand on] key on LCP	[1] Enabled	All set-ups	TRUE	-	Uint8
0-41	[Off] key on LCP	[1] Enabled	All set-ups	TRUE	-	Uint8
0-42	[Auto on] key on LCP	[1] Enabled	All set-ups	TRUE	-	Uint8
0-43	[Reset] key on LCP	[1] Enabled	All set-ups	TRUE	-	Uint8
0-5* Copy/Save						
0-50	LCP copy	[0] No copy	All set-ups	FALSE	-	Uint8
0-51	Set-up copy	[0] No copy	All set-ups	FALSE	-	Uint8
0-6* Password						
0-60	Main menu password	100 N/A	1 set-up	TRUE	0	Int16
0-61	Access to main menu without password	[0] Full access	1 set-up	TRUE	-	Uint8
0-65	Quick menu password	200 N/A	1 set-up	TRUE	0	Int16
0-66	Access to quick menu without password	[0] Full access	1 set-up	TRUE	-	Uint8

9.3.3 5-** Digital In/Out

Par. No. #	Parameter description	Default value	4-set-up	Change during operation	Conversion index	Type
5-0* Digital I/O mode						
5-00	Digital I/O mode	[0] PNP	All set-ups	FALSE	-	Uint8
5-01	Terminal 27 mode	[0] Input	All set-ups	TRUE	-	Uint8
5-02	Terminal 29 mode	[0] Input	All set-ups	TRUE	-	Uint8
5-1* Digital Inputs						
5-10	Terminal 18 digital input	[8] Start	All set-ups	TRUE	-	Uint8
5-11	Terminal 19 digital input	[0] No operation	All set-ups	TRUE	-	Uint8
5-12	Terminal 27 digital input	[0] No operation	All set-ups	TRUE	-	Uint8
5-13	Terminal 29 digital input	[0] No operation	All set-ups	TRUE	-	Uint8
5-16	Terminal X30/2 digital input	[0] No operation	All set-ups	TRUE	-	Uint8
5-17	Terminal X30/3 digital input	[0] No operation	All set-ups	TRUE	-	Uint8
5-18	Terminal X30/4 digital input	[0] No operation	All set-ups	TRUE	-	Uint8
5-19	Terminal 37 Safe stop	[1] Safe Stop Alarm	1 set-up	TRUE	-	Uint8
5-3* Digital Outputs						
5-30	Terminal 27 Digital output	[0] No operation	All set-ups	TRUE	-	Uint8
5-31	Terminal 29 Digital output	[0] No operation	All set-ups	TRUE	-	Uint8
5-4* Relays						
5-40	Function relay	[0] No operation	All set-ups	TRUE	-	Uint8
5-41	On delay, relay	0.30 s	All set-ups	TRUE	-2	Uint16
5-42	Off delay, relay	0.30 s	All set-ups	TRUE	-2	Uint16

9.3.4 8-** Comm. and Options

Par. No. #	Parameter description	Default value	4-set-up	Change during operation	Conversion index	Type
8-0* General Settings						
8-01	Control site	[0] Digital and ctrl.word	All set-ups	TRUE	-	Uint8
8-02	Control word source	null	All set-ups	TRUE	-	Uint8
8-03	Control word timeout time	1.0 s	1 set-up	TRUE	-1	Uint32
8-04	Control word timeout function	[0] Off	1 set-up	TRUE	-	Uint8
8-05	End-of-timeout Function	[1] Resume set-up	1 set-up	TRUE	-	Uint8
8-06	Reset control word timeout	[0] Do not reset	All set-ups	TRUE	-	Uint8
8-3* FC Port Settings						
8-30	Protocol	[1] FC MC	1 set-up	TRUE	-	Uint8
8-31	Address	2 N/A	1 set-up	TRUE	0	Uint8
8-32	FC port baud rate	[2] 9600 Baud	1 set-up	TRUE	-	Uint8
8-35	Minimum response delay	10 ms	All set-ups	TRUE	-3	Uint16
8-36	Max response delay	5000 ms	1 set-up	TRUE	-3	Uint16
8-37	Max liter-char delay	25 ms	1 set-up	TRUE	-3	Uint16
8-5* Digital/Bus						
8-53	Start select	[3] Logic OR	All set-ups	TRUE	-	Uint8
8-55	Set-up select	[3] Logic OR	All set-ups	TRUE	-	Uint8

9.3.5 14-** Special Functions

Par. No. #	Parameter description	Default value	4-set-up	Change during operation	Conversion index	Type
14-2* Trip Reset						
14-20	Reset mode	[0] Manual reset	All set-ups	TRUE	-	UInt8
14-21	Automatic restart time	10 s	All set-ups	TRUE	0	UInt16
14-22	Operation mode	[0] Normal operation	All set-ups	TRUE	-	UInt8
14-23	Typecode setting	null	2 set-ups	FALSE	-	UInt8
14-28	Production settings	[0] No action	All set-ups	TRUE	-	UInt8
14-29	Service code	0 N/A	All set-ups	TRUE	0	Int32
14-5* Environment						
14-50	RFI filter	[1] On	1 set-up	FALSE	-	UInt8
14-53	Fan monitor	[1] Warning	All set-ups	TRUE	-	UInt8
14-54	Bus partner	1 N/A	2 set-ups	TRUE	0	UInt16

9.3.6 15-** FC Information

Par. No. #	Parameter description	Default value	4-set-up	Change during operation	Conversion index	Type
15-0* Operating Data						
15-00	Operating hours	0 h	All set-ups	FALSE	74	UInt32
15-01	Running hours	0 h	All set-ups	FALSE	74	UInt32
15-03	Power up's	0 N/A	All set-ups	FALSE	0	UInt32
15-04	Over temp's	0 N/A	All set-ups	FALSE	0	UInt16
15-05	Over volt's	0 N/A	All set-ups	FALSE	0	UInt16
15-07	Reset running hours counter	[0] Do not reset	All set-ups	TRUE	-	UInt8
15-1* Data Log Settings						
15-10	Logging source	0	2 set-ups	TRUE	-	UInt16
15-11	Logging interval	ExpressionLimit	2 set-ups	TRUE	-3	TimD
15-12	Trigger event	[0] False	1 set-up	TRUE	-	UInt8
15-13	Logging mode	[0] Log always	2 set-ups	TRUE	-	UInt8
15-14	Samples before trigger	50 N/A	2 set-ups	TRUE	0	UInt8
15-2* Historic Log						
15-20	Historic log: Event	0 N/A	All set-ups	FALSE	0	UInt8
15-21	Historic log: Value	0 N/A	All set-ups	FALSE	0	UInt32
15-22	Historic log: Time	0 ms	All set-ups	FALSE	-3	UInt32
15-3* Fault Log						
15-30	Fault log: Error code	0 N/A	All set-ups	FALSE	0	UInt16
15-31	Fault log: Value	0 N/A	All set-ups	FALSE	0	Int16
15-32	Fault log: Time	0 s	All set-ups	FALSE	0	UInt32
15-4* Unit Identification						
15-40	FC type	0 N/A	All set-ups	FALSE	0	VisStr[6]
15-41	Power section	0 N/A	All set-ups	FALSE	0	VisStr[20]
15-42	Voltage	0 N/A	All set-ups	FALSE	0	VisStr[20]
15-43	Software version	0 N/A	All set-ups	FALSE	0	VisStr[5]
15-44	Ordered typecode string	0 N/A	All set-ups	FALSE	0	VisStr[40]
15-45	Actual typecode string	0 N/A	All set-ups	FALSE	0	VisStr[40]
15-46	Unit ordering number	0 N/A	All set-ups	FALSE	0	VisStr[8]
15-47	Power card ordering number	0 N/A	All set-ups	FALSE	0	VisStr[8]
15-48	LCP ID number	0 N/A	All set-ups	FALSE	0	VisStr[20]
15-49	SW ID control card	0 N/A	All set-ups	FALSE	0	VisStr[20]

Par. No. #	Parameter description	Default value	4-set-up	Change during operation	Conversion index	Type
15-50	SW ID power card	0 N/A	All set-ups	FALSE	0	VisStr[20]
15-51	Unit serial number	0 N/A	All set-ups	FALSE	0	VisStr[10]
15-53	Power card serial number	0 N/A	All set-ups	FALSE	0	VisStr[19]
15-6* Option Ident						
15-60	Option mounted	0 N/A	All set-ups	FALSE	0	VisStr[30]
15-61	Option SW version	0 N/A	All set-ups	FALSE	0	VisStr[20]
15-62	Option ordering number	0 N/A	All set-ups	FALSE	0	VisStr[8]
15-63	Option serial number	0 N/A	All set-ups	FALSE	0	VisStr[18]
15-70	Option in slot A	0 N/A	All set-ups	FALSE	0	VisStr[30]
15-71	Slot A option SW version	0 N/A	All set-ups	FALSE	0	VisStr[20]
15-72	Option in slot B	0 N/A	All set-ups	FALSE	0	VisStr[30]
15-73	Slot B option SW version	0 N/A	All set-ups	FALSE	0	VisStr[20]
15-74	Option in slot C0	0 N/A	All set-ups	FALSE	0	VisStr[30]
15-75	Slot C0 option SW version	0 N/A	All set-ups	FALSE	0	VisStr[20]
15-76	Option in slot C1	0 N/A	All set-ups	FALSE	0	VisStr[30]
15-77	Slot C1 option SW version	0 N/A	All set-ups	FALSE	0	VisStr[20]
15-9* Parameter Info						
15-92	Defined parameters	0 N/A	All set-ups	FALSE	0	Uint16
15-93	Modified parameters	0 N/A	All set-ups	FALSE	0	Uint16
15-98	Unit identification	0 N/A	All set-ups	FALSE	0	VisStr[40]
15-99	Parameter metadata	0 N/A	All set-ups	FALSE	0	Uint16

9.3.7 16-** Data Readouts

Par. No. #	Parameter description	Default value	4-set-up	Change during operation	Conversion index	Type
16-0* General Status						
16-00	Control word	0 N/A	All set-ups	FALSE	0	V2
16-03	Status word	0 N/A	All set-ups	FALSE	0	V2
16-3* AF Status						
16-30	DC link voltage	0 V	All set-ups	FALSE	0	Uint16
16-34	Heatsink temp.	0 °C	All set-ups	FALSE	100	Uint8
16-35	Inverter thermal	0 %	All set-ups	FALSE	0	Uint8
16-36	Inv. nom. current	ExpressionLimit	All set-ups	FALSE	-2	Uint32
16-37	Inv. max. current	ExpressionLimit	All set-ups	FALSE	-2	Uint32
16-39	Control card temp.	0 °C	All set-ups	FALSE	100	Uint8
16-40	Logging buffer full	[0] No	All set-ups	TRUE	-	Uint8
16-49	Current fault source	0 N/A	All set-ups	TRUE	0	Uint8
16-6* Inputs & Outputs						
16-60	Digital input	0 N/A	All set-ups	FALSE	0	Uint16
16-66	Digital output [bin]	0 N/A	All set-ups	FALSE	0	Int16
16-71	Relay output [bin]	0 N/A	All set-ups	FALSE	0	Int16
16-8* Fieldbus & FC Port						
16-80	Fieldbus CTW 1	0 N/A	All set-ups	FALSE	0	V2
16-84	Comm. option STW	0 N/A	All set-ups	FALSE	0	V2
16-85	FC port CTW 1	0 N/A	All set-ups	FALSE	0	V2
16-9* Diagnosis Readouts						
16-90	Alarm word	0 N/A	All set-ups	FALSE	0	Uint32
16-91	Alarm word 2	0 N/A	All set-ups	FALSE	0	Uint32
16-92	Warning word	0 N/A	All set-ups	FALSE	0	Uint32
16-93	Warning word 2	0 N/A	All set-ups	FALSE	0	Uint32
16-94	Ext. status word	0 N/A	All set-ups	FALSE	0	Uint32

9.3.8 300-** AF Settings

NOTICE

Except for parameter 300-10 Active Filter Nominal Voltage, it is not recommended to change the settings in this parameter group.

Par. No. #	Parameter description	Default value	4-set-up	Change during operation	Conversion index	Type
300-0* General Settings						
300-00	Harmonic cancellation mode	[0] Overall	All set-ups	TRUE	-	Uint8
300-01	Compensation priority	[0] Harmonics	All set-ups	TRUE	-	Uint8
300-08	Lagging reactive current	[0] Disabled	All set-ups			
300-1* Network Settings						
300-10	Active filter nominal voltage	ExpressionLimit	2 set-ups	FALSE	0	Uint32
300-2* CT Settings						
300-20	CT primary rating	ExpressionLimit	2 set-ups	FALSE	0	Uint32
300-22	CT nominal voltage	342 V	2 set-ups	FALSE	0	Uint32
300-24	CT sequence	[0] L1, L2, L3	2 set-ups	FALSE	-	Uint8
300-25	CT polarity	[0] Normal	2 set-ups	FALSE	-	Uint8
300-26	CT placement	[1] Load Current	2 set-ups	FALSE	-	Uint8
300-29	Start auto CT detection	[0] Off	All set-ups	FALSE	-	Uint8
300-3* Compensation						
300-30	Compensation points	0.0 A	All set-ups	TRUE	-1	Uint32
300-35	Cosphi reference	0.500 N/A	All set-ups	TRUE	-3	Uint16
300-4* Paralleling						
300-40	Master follower selection	[2] Not Paralleled	2 set-ups	FALSE	-	Uint8
300-41	Follower ID	1 N/A	2 set-ups	FALSE	0	Uint32
300-42	Number of follower AFs	1 N/A	2 set-ups	FALSE	0	Uint32
300-5* Sleep Mode						
300-50	Enable sleep mode	null	2 set-ups	TRUE	-	Uint8
300-51	Sleep mode trig source	[0] Mains current	All set-ups	TRUE	-	Uint8
300-52	Sleep mode wake up trigger	ExpressionLimit	All set-ups	TRUE	0	Uint32
300-53	Sleep mode sleep trigger	80 %	All set-ups	TRUE	0	Uint32

9.3.9 301-** AF Readouts

Par. No. #	Parameter description	Default value	4-set-up	Change during operation	Conversion index	Type
301-0* Output Currents						
301-00	Output current [A]	0.00 A	All set-ups	TRUE	-2	Int32
301-01	Output current [%]	0.0 %	All set-ups	TRUE	-1	Int32
301-1* Unit Performance						
301-10	THD of current [%]	0.0 %	All set-ups	TRUE	-1	Uint16
301-11	Estimated THD of voltage [%]	0.0 %	All set-ups			Uint16
301-12	Power factor	0.00 N/A	All set-ups	TRUE	-2	Uint16
301-13	Cosphi	0.00 N/A	All set-ups	TRUE	-2	Int16
301-14	Leftover currents	0.0 A	All set-ups	TRUE	-1	Uint32
301-2* Mains Status						
301-20	Mains current [A]	0 A	All set-ups	TRUE	0	Int32
301-21	Mains frequency	0 Hz	All set-ups	TRUE	0	Uint8
301-22	Fund. mains current [A]	0 A	All set-ups	TRUE	0	Int32

10 Appendix B

10.1 Abbreviations and Conventions

AC	Alternating current
AEO	Automatic energy optimisation
AMA	Automatic motor adaptation
AWG	American wire gauge
°C	Degrees celsius
DC	Direct current
EMC	Electromagnetic compatibility
ETR	Electronic thermal relay
$f_{M,N}$	Nominal motor frequency
FC	Frequency converter
I_{LIM}	Current limit
I_{INV}	Rated inverter output current
$I_{M,N}$	Nominal motor current
$I_{VLT,MAX}$	The maximum output current
$I_{VLT,N}$	The rated output current supplied by the frequency converter
IP	Ingress protection
LCP	Local control panel
N.A.	Not applicable
$P_{M,N}$	Nominal motor power
PCB	Printed circuit board
PE	Protective earth
PELV	Protective extra low voltage
Regen	Regenerative terminals
RPM	Revolutions per minute
T_{LIM}	Torque limit
$U_{M,N}$	Nominal motor voltage

Table 10.1 Abbreviations

Conventions

Numbered lists indicate procedures.

Bullet lists indicate other information and description of illustrations.

Italicised text indicates:

- Cross-reference.
- Link.
- Footnote.
- Parameter name, parameter group name, parameter option.

Index

A

A53 switch..... 50

A54 switch..... 50

Abbreviation..... 111

AC mains..... 20

Active filter..... 5

Additional resources..... 5

AF Readouts..... 110

AF Settings..... 110

Airflow..... 23

Alarm log..... 56

AMA..... 50, 68, 71

AMA, successful..... 51

AMA, unsuccessful..... 51

Analog output..... 91

Analog signal..... 67

Analog speed reference..... 62

Anchoring..... 26

Approval..... 15

Auto on..... 56, 61

Auto remote coasting..... 55

Automatic energy optimisation..... 60

Automatic motor adaptation..... 50, 61

Auto-reset..... 55

B

Back cooling..... 23

Bottom view..... 26

Brake

- cable..... 39
- chopper..... 39
- control..... 68
- resistor..... 67
- Mechanical brake control..... 48

Braking..... 69

Branch circuit protection..... 95

Bus termination switch..... 50

C

Cable

- length, cross-section..... 90
- Cabling..... 36
- Motor cable..... 36
- Screened cable..... 38, 54

CE compliance mark..... 15

Circuit breaker..... 54

Closed loop..... 49

Comm. and Options..... 106

Communication option..... 70

Compliance mark, CE..... 15

Conduit..... 54

Control

- card..... 67
- card performance..... 93
- card, 24 V DC output..... 92
- card, RS485 serial communication..... 91
- characteristic..... 93
- terminal..... 56, 58
- terminals, access..... 45
- wiring..... 37, 54

Control card, USB serial communication..... 93

Control system..... 5

Control terminal..... 45

Convention..... 111

Cooling..... 23

Cooling clearance..... 54

Current

- Current..... 15
- distortion..... 16
- rating..... 21, 67
- DC current..... 36
- Full load current..... 21
- Fundamental current..... 15
- Harmonic current..... 15
- Input..... 15
- Output current..... 21, 67

D

Data Readouts..... 109

DC link..... 67, 78

Default settings..... 57, 104

Definition..... 5

Delta..... 50

Derating, altitude..... 95

Digital In/Out..... 106

Digital input..... 68, 90

Digital output..... 92

Dimension..... 15

Discharge time..... 20

Disconnect switch..... 53, 55

Distortion..... 6

E

ELCB relay..... 38

Electrical installation..... 45

Electrical noise..... 37

Electromechanical brake..... 48

EMC.....	54	Input signal.....	49
EMC-compliant installation.....	36	Input voltage.....	55, 66
Enclosure.....	15	Inputs	
Exploded view.....	7	Analog input.....	67, 91
External alarm reset.....	64	Input power.....	37, 54
External fan supply.....	40	Input terminal.....	49, 53
F		Installation.....	54, 55
Factory installed brake chopper option.....	39	Insulation resistance monitor.....	52
Fan.....	40	Intermediate circuit.....	67
Fault log.....	56	IT main.....	38
Fault message, active filter.....	78	Items supplied.....	22
FC Information.....	107	L	
Feedback.....	49, 54, 71	Leakage current (>3.5 mA).....	37
F-frame option.....	51	Lifting.....	24
Fieldbus connection.....	43	Local control.....	56
Filter capacitor.....	38	Local control panel (LCP).....	55
Final set-up and test.....	50	M	
Fourier series analysis.....	15	Main menu.....	56
Fuse.....	36, 54, 70, 80, 95	Mains	
Fuse tables.....	96	connection.....	40
Fusing.....	36, 54	input.....	33
G		supply (L1, L2, L3).....	90
Grid condition.....	94	terminal.....	49
Ground connection.....	37, 54	voltage.....	55
Ground wire.....	37, 54	Supply.....	15
Grounding.....	37, 38, 53, 54	Manual initialisation.....	57
Grounding hazard.....	37	Manual motor starter.....	52
H		MCT 10.....	55
Hand on.....	56	Mechanical dimension.....	87
Harmonic mitigation performance.....	94	Menu key.....	55, 56
Harmonics		Menu structure.....	56
Analysis.....	15	Motor	
Harmonics.....	6, 15, 16, 17	cable.....	38
distortion.....	15	current.....	55, 61, 71
Overload prevention.....	15	data.....	59, 61, 67, 72
Voltage harmonics.....	16	insulation.....	39
Heat sink.....	71	name plate.....	50
Heater.....	51	output.....	90
High voltage.....	53	power.....	55, 71
I		protection.....	93
IEC emergency stop, Pilz safety relay.....	52	rotation.....	61
Initialisation.....	57	rotation check.....	39
Input power.....	20, 53, 66, 80	speed.....	58
		thermal protection.....	49
		thermistor.....	65
		wiring.....	54
		Thermistor.....	65
		Motor thermal protection.....	65
		Mounting.....	54

N

Nameplate..... 22
 NAMUR..... 51
 Navigation key..... 55, 56, 58
 NDE bearing..... 39
 Noise isolation..... 54
 Non-UL compliance..... 96

O

Open loop..... 49
 Operation key..... 55
 Operation/Display..... 105
 Optional equipment..... 5, 55
 Output performance (U, V, W)..... 90
 Overcurrent protection..... 36
 Overload protection..... 21

P

Parallel connection, motor..... 48
 PELV..... 65
 Phase loss..... 67
 Planning, installation site..... 21
 Point of common coupling..... 16
 Power..... 37
 Power connection..... 36
 Power factor..... 54
 Power ranges..... 94
 Power rating..... 15
 Power, input..... 66
 Programming..... 55, 56
 Protection, feature..... 93
 Pulse input..... 91
 Pulse start/stop..... 64

Q

Qualified personnel..... 20
 Quick menu..... 55, 56

R

RCD..... 38
 Reactive current compensation..... 94
 Reference
 Reference..... 55, 62
 Relay output..... 92
 Reset..... 55, 56, 57, 66, 67, 68, 72

Residual current device..... 51
 RFI capacitor..... 38
 RFI switch..... 38
 RS485..... 48, 65
 Run command..... 61

S

Safe Torque Off..... 48
 Screened/armoured cable..... 40
 Screening, cable..... 37
 Serial communication..... 56, 66, 93
 Set-up..... 56, 61
 Shipping damage..... 21
 Short circuit
 Short-circuit ratio..... 16
 Short circuit..... 68
 SmartStart..... 58
 Special Functions..... 107
 Speed reference..... 49, 61, 62
 Start/stop command..... 63
 Start-up..... 57, 80
 Status display..... 66
 Status message..... 66
 Status mode..... 66
 STO..... 48
 Supply voltage..... 53, 70
 Surrounding..... 93
 Switch..... 49
 Switching frequency..... 37

T

Temperature limit..... 54
 Terminals
 Input..... 67
 Output terminal..... 53
 Terminal 53..... 49
 Terminal 54..... 49
 Terminal function..... 40
 Terminal location..... 30
 Thermal motor protection..... 68
 Thermistor..... 68
 Torque..... 35, 68
 Torque characteristic..... 90
 Torque, terminals..... 35
 Total harmonic distortion..... 15
 Transformers..... 15
 Trip
 Trip..... 65

Troubleshooting..... 80

U

Undervoltage..... 17

V

Voltage imbalance..... 67

Voltage level..... 90

Voltage, input..... 66

VVC+..... 60

W

Warning..... 66

Wire size..... 36

Wiring..... 15

Working principle..... 6



.....
Danfoss can accept no responsibility for possible errors in catalogues, brochures and other printed material. Danfoss reserves the right to alter its products without notice. This also applies to products already on order provided that such alterations can be made without subsequential changes being necessary in specifications already agreed. All trademarks in this material are property of the respective companies. Danfoss and the Danfoss logotype are trademarks of Danfoss A/S. All rights reserved.
.....

Danfoss A/S
Ulsnaes 1
DK-6300 Graasten
vlt-drives.danfoss.com

